



High Flow Electronic Pressure Regulator

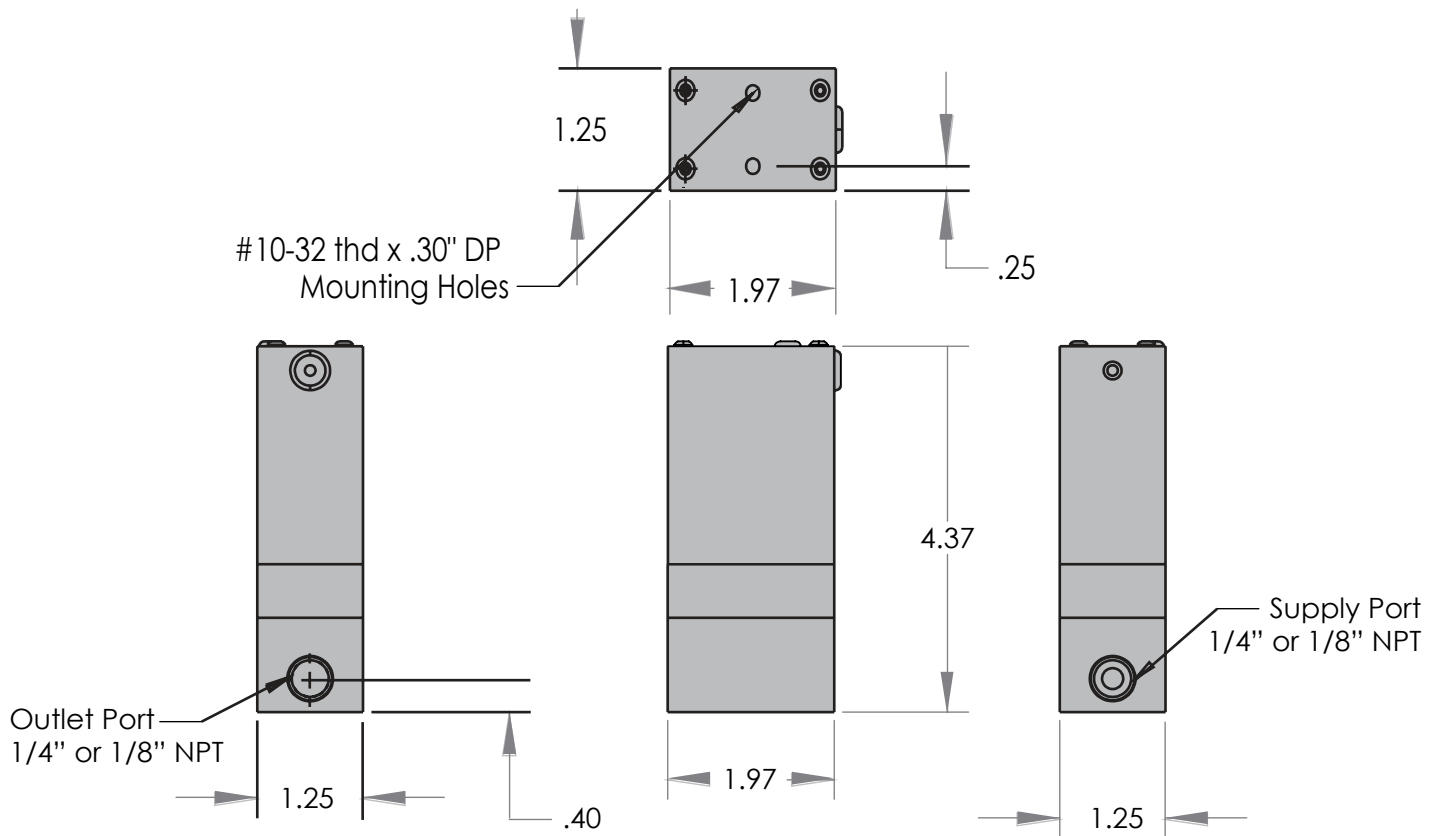
Kelly Pneumatics, Inc. offers a reduced cost, single or dual-valve design, Electronic Pressure Regulator with I/P transducer control circuitry. This electronic pressure regulator is designed specifically for high volume flow rates, and precisely controls both positive and negative outlet pressure ranges, even during dynamic changes in outlet flow rates. By utilizing either an externally supplied dynamic/static input signal or an on-board adjustable set-point value, the High Flow Precision Regulator provides exceptional closed-loop, proportional, output pressure control characteristics. Our electronic pressure regulators offer significant improvements over traditional dual on/off valve electronic regulators. Utilizing our patented proportional valve design for both internal fill and dump valves gives a smooth and accurate output pressure, as opposed to dual on/off valve designs that cause substantial shock waves in the regulated pressure signal.



Specifications

Pressure Range	-14.7 to 100 PSI (standard) 0 to 300 psig (custom)
Pressure Accuracy	+/- 1% or less (full span)
Linearity	+/- 1% or less (full span)
Response Time	less than 250 milliseconds (as low as 50 ms)
Max Flow Rate	515 slpm / 18.2 scfm @ 100psi
Connections	1/8" or 1/4" FPT supply & Outlet Ports, #10-32 Female Exhaust Port (if applicable)
Weight	1.0 lb
Power Required	12 or 24 vdc (wire leads); 110 VAC (TURNKEY)
Current Required	90 ma to 180 mA
Control Signal	0-5 volts, 0-10 volts or 4-20 mA
Feedback Signal	0-5 or 0-10 volts
Manual Control	Adjustable Potentiometer
Filtration	40 Micron Recommended
Wetted Materials	Cold rolled stainless steel w/ electroless nickle Plating, brass and 304 stainless steel

Dimensions



Part Numbering System

