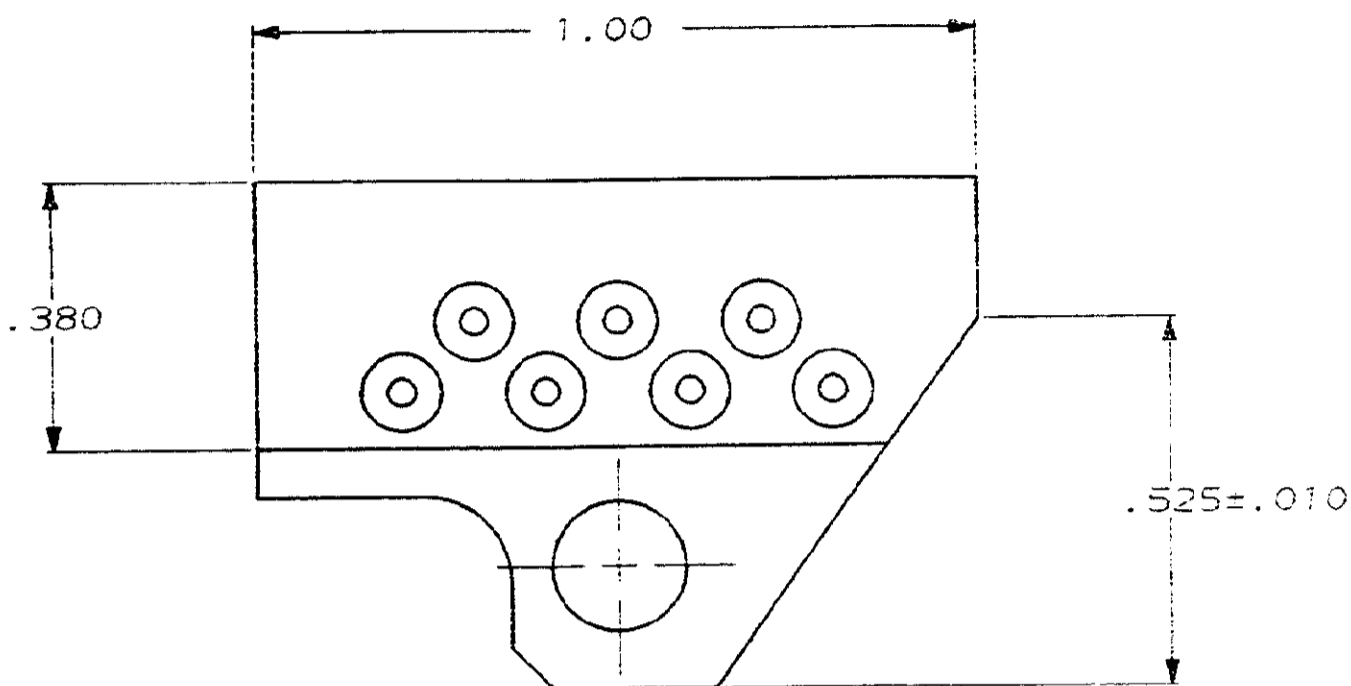


DRAWING MADE IN THIRD ANGLE PROJECTION

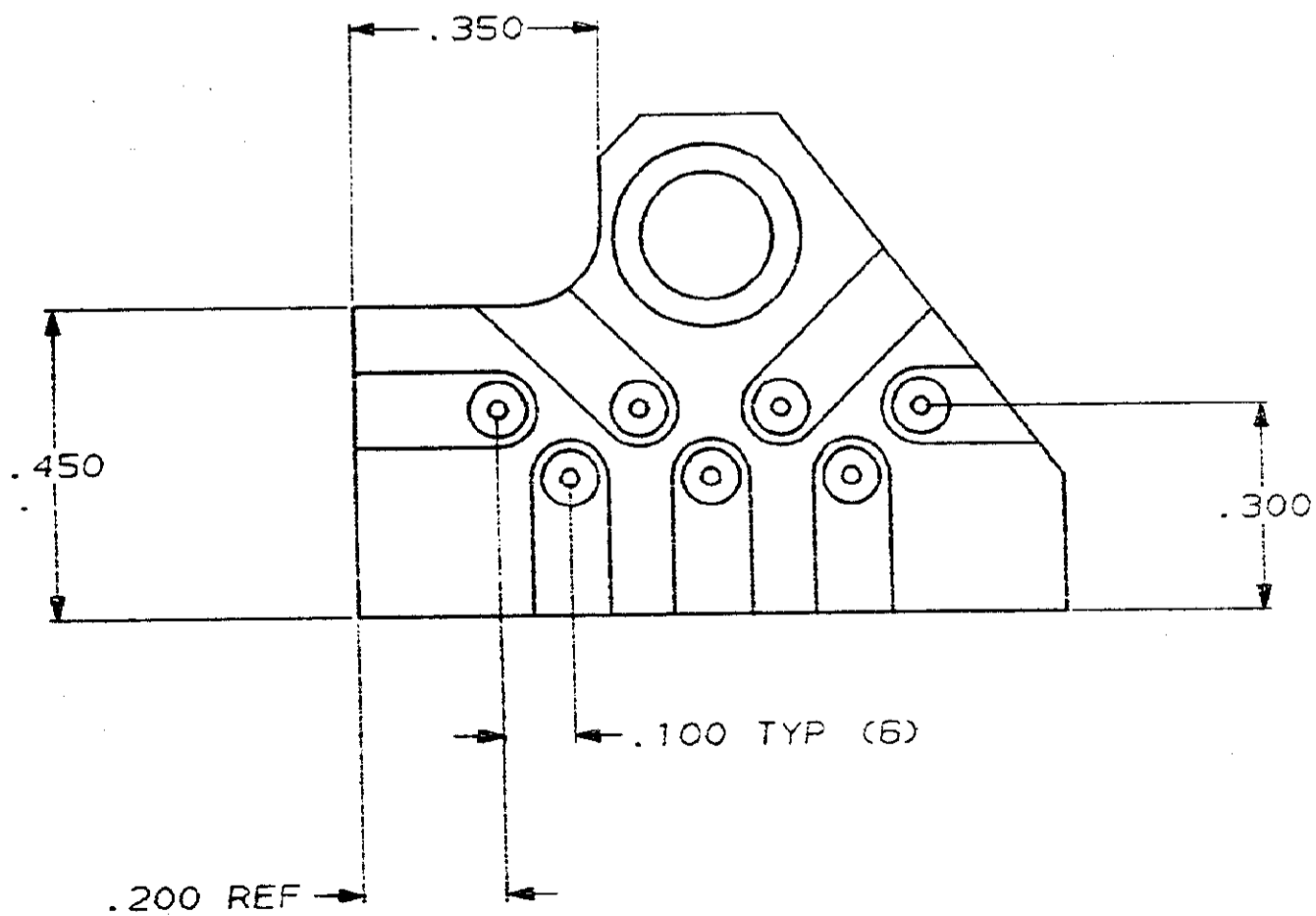
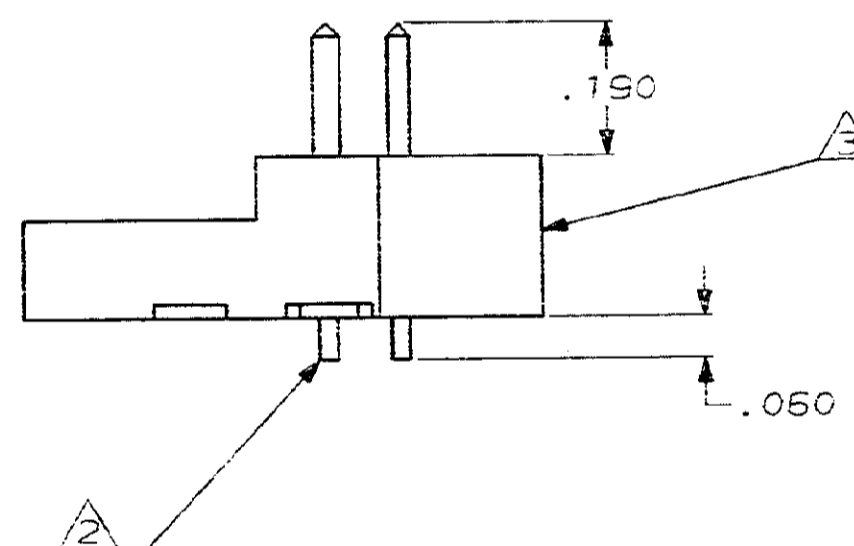
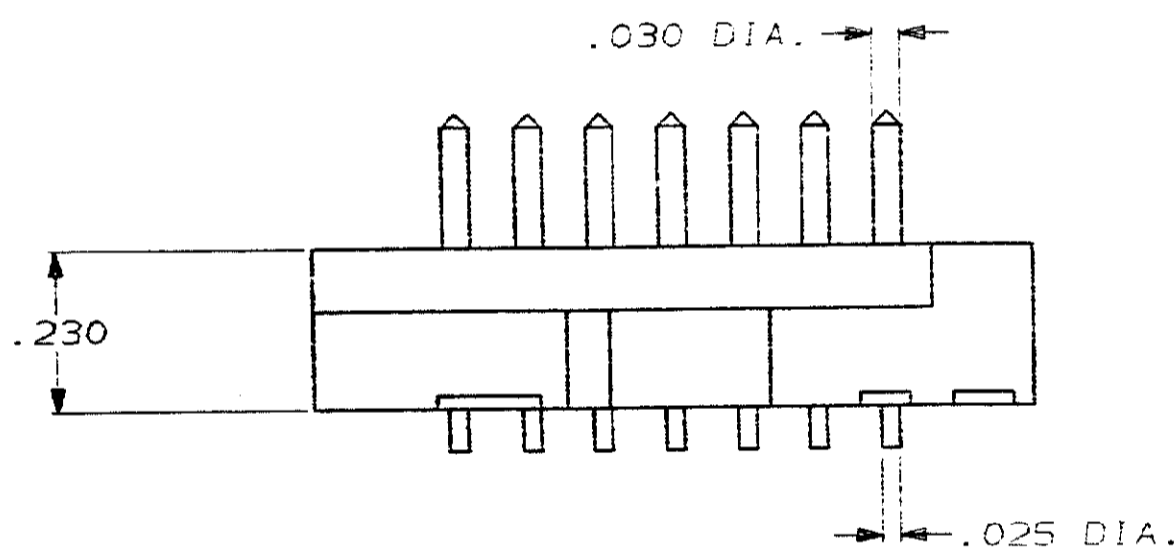
THIS DRAWING IS UNPUBLISHED. RELEASED FOR PUBLICATION .19

© COPYRIGHT 19 BY AMP INCORPORATED. ALL INTERNATIONAL RIGHTS RESERVED.

LOC		DIST		REVISIONS				
DF	A1	P	F	ZONE	LTR	DESCRIPTION	DATE	APPD
					C	REVISED PER ECN DF-4405	DES	5-29-91
					D	REV PER ECN DF-5896	ETG	02-18-92



- ⚠ MATERIAL: GLASS FILLED THERMOPLASTIC VO RATED PER MIL-M-24519. COLOR: BLACK
- ⚠ THIS END SOLDER DIPPED IN ACCORDANCE WITH MIL STD 202, METHOD 208.
- ⚠ CUST P/N, "AMP" AND DATE CODE LOCATED IN THIS APPROXIMATE AREA.



11750884		447276-2		447276-1	
CUSTOMER PART NO		MATERIAL		PART NO	
DO NOT SCALE PRINT. UNLESS SPECIFIED DIMENSIONS IN INCHES TOLERANCES ON: 2 PLC DEC ± .01 3 PLC DEC ± .005 ANGLES ± 1°		DR 7-18-90 D. DUDUKOVICH		AMP AMP Incorporated Harrisburg, PA 17105-3608	
MATERIAL		CHK 5-31-91 J. SCHÖLZ			
FINISH		APPD 5-31-91 J. SCHÖLZ			
-		APPD C. NIKOLOFF 5-31-91		NAME FUZE SYSTEM CONNECTOR FLAT CABLE (7 POSITION)	
-		PRODUCT SPEC		SIZE	
-		APPLICATION SPEC		CAGE CODE	
-		WEIGHT		DRAWING NO	
		-		00779	
		-		447276	
		SCALE 4:1		SHEET 1 OF 1	

CUSTOMER DRAWING