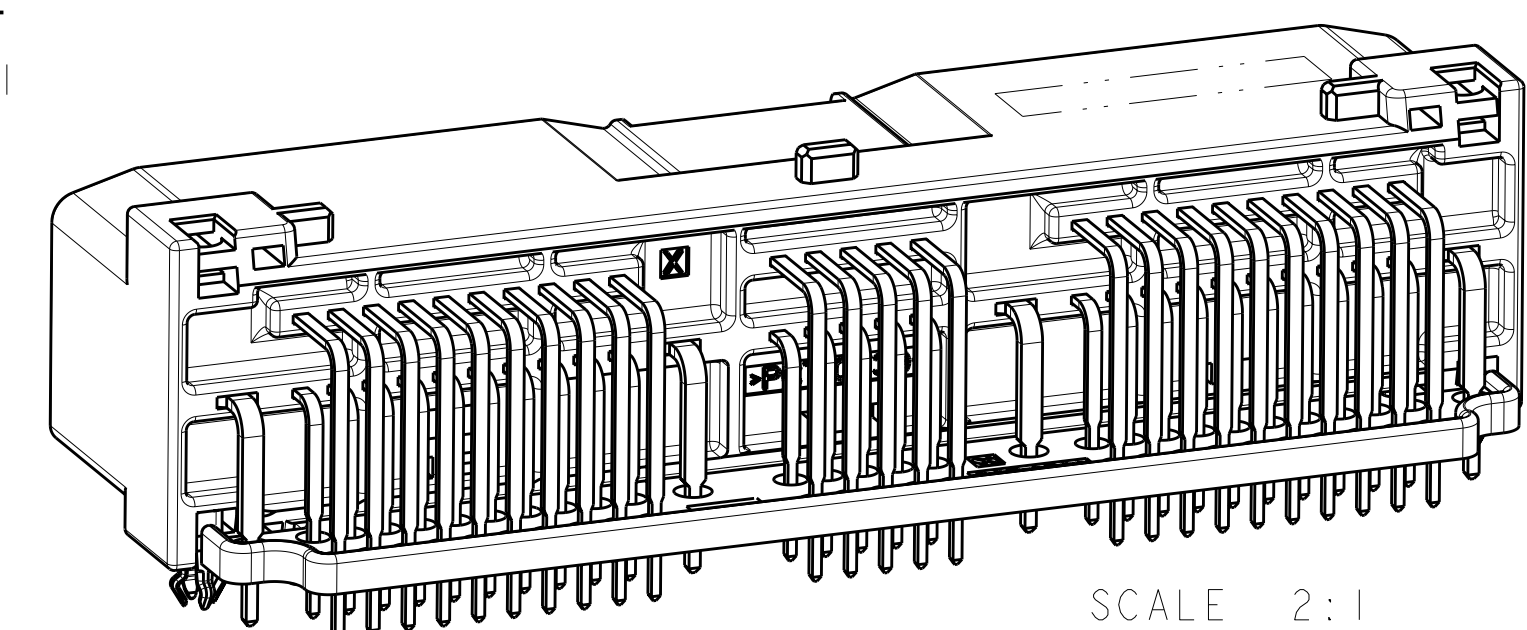
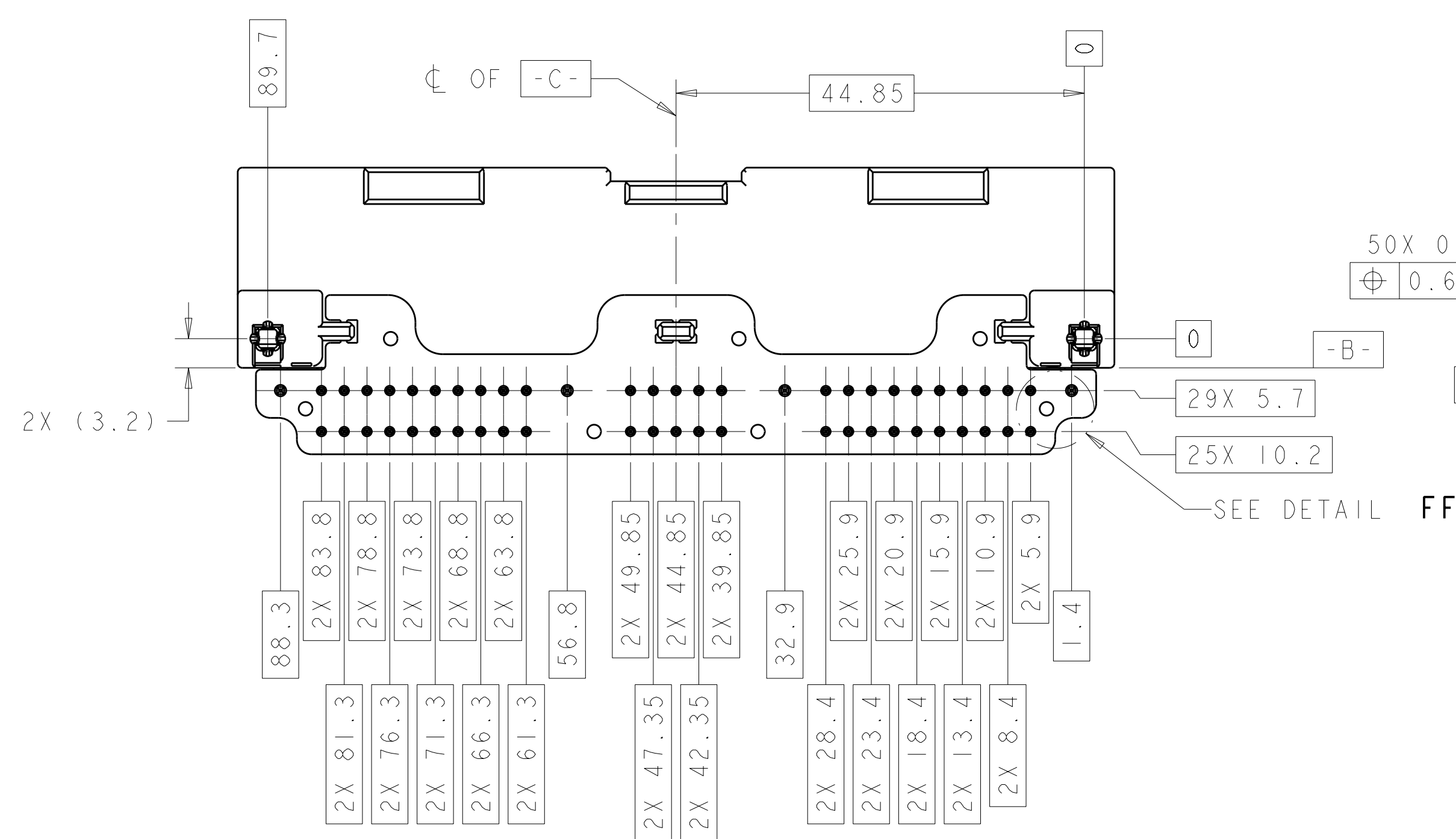
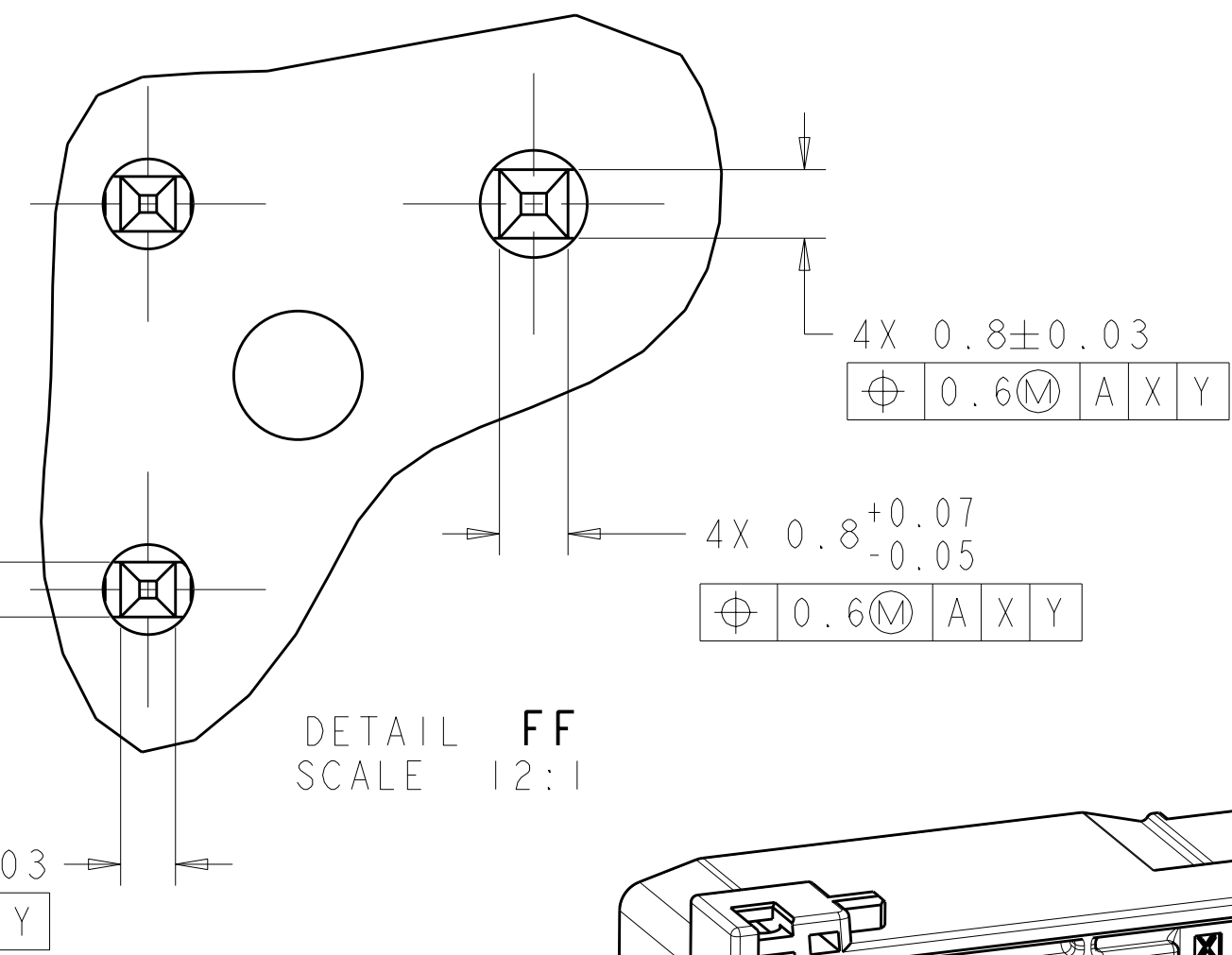
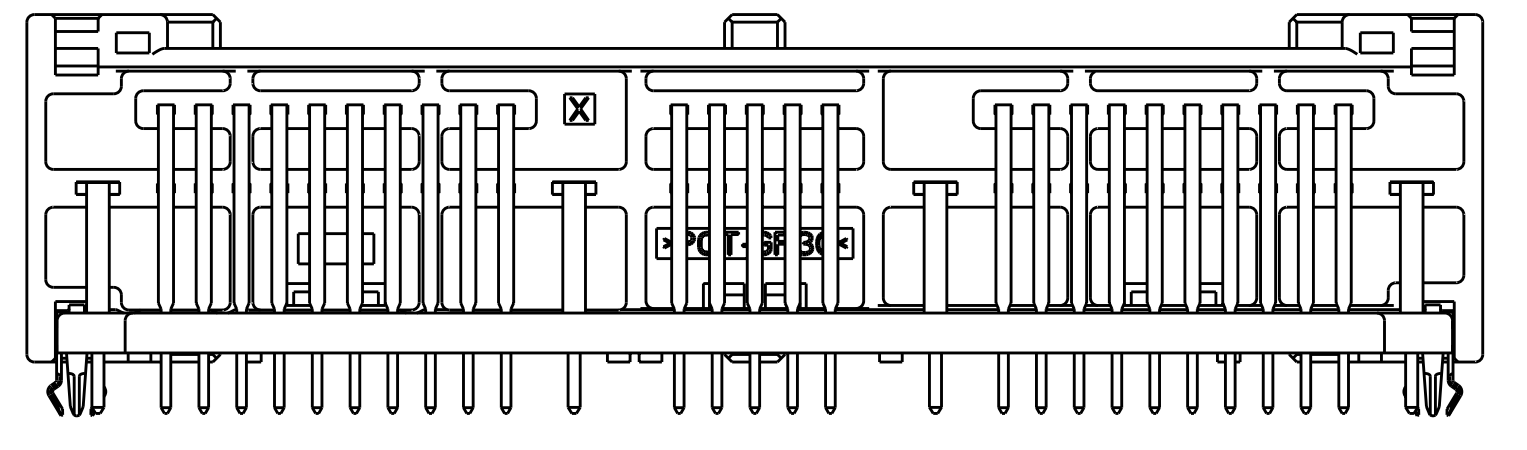
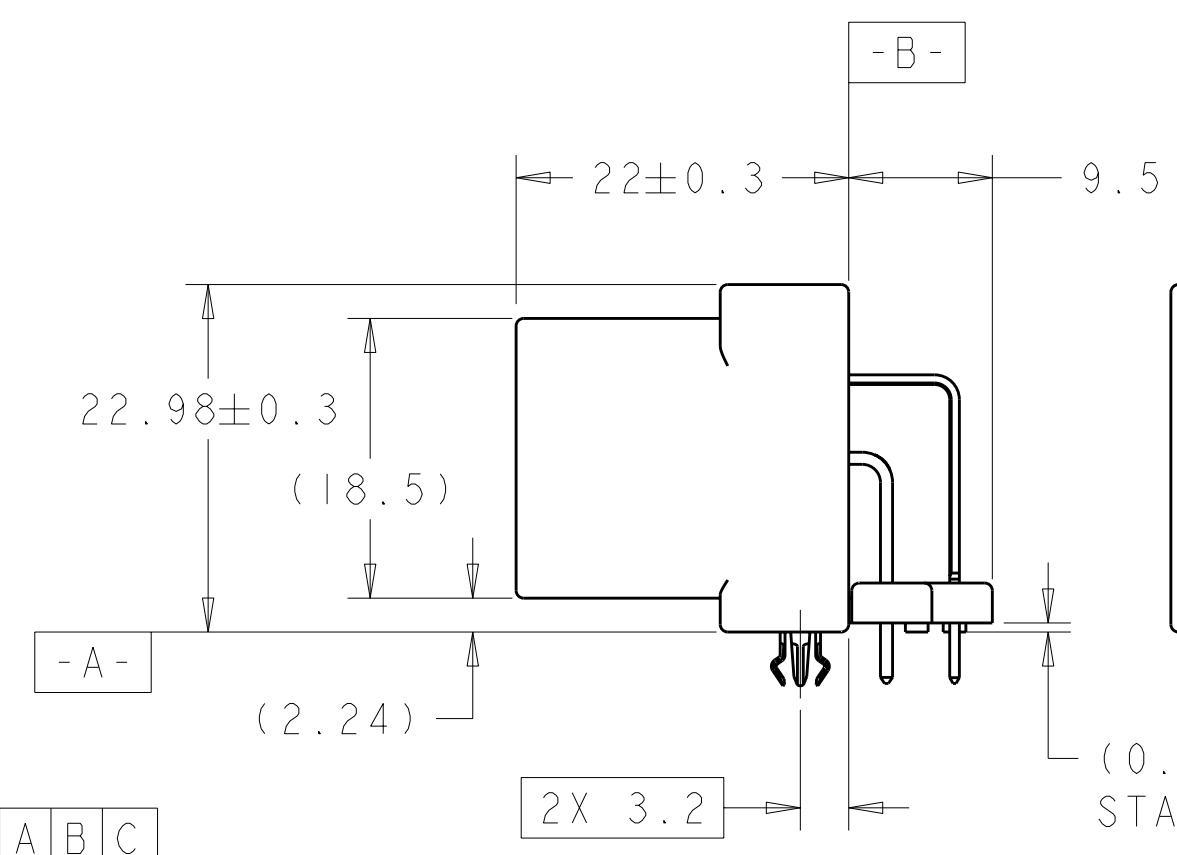
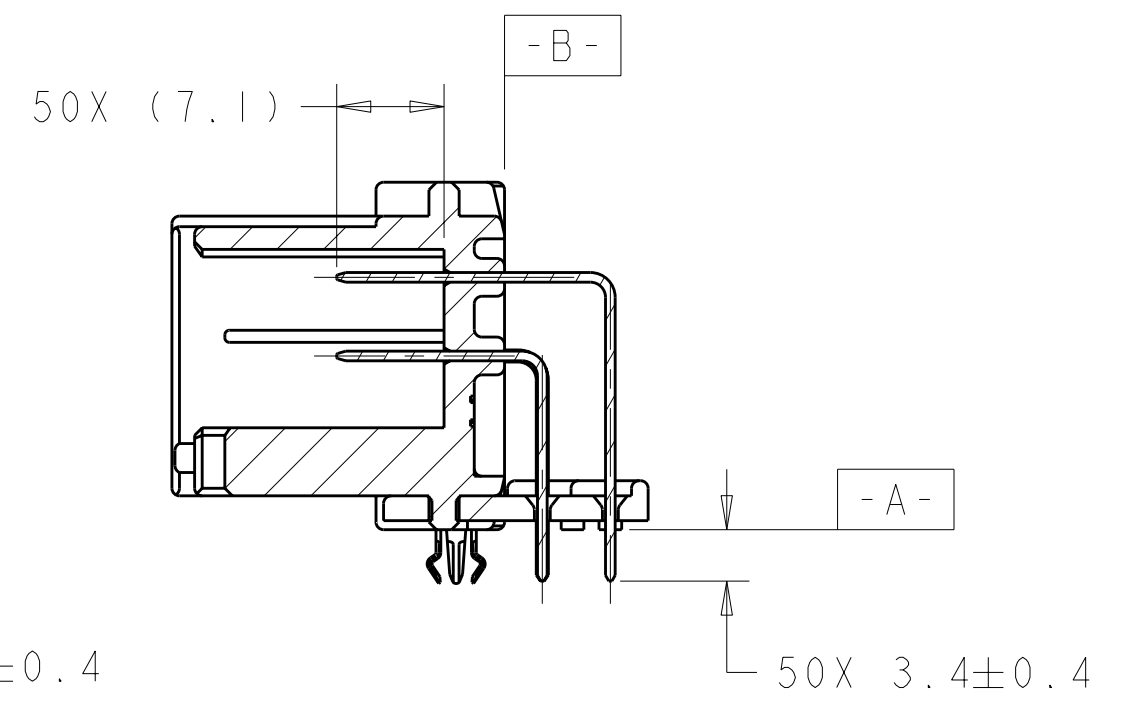
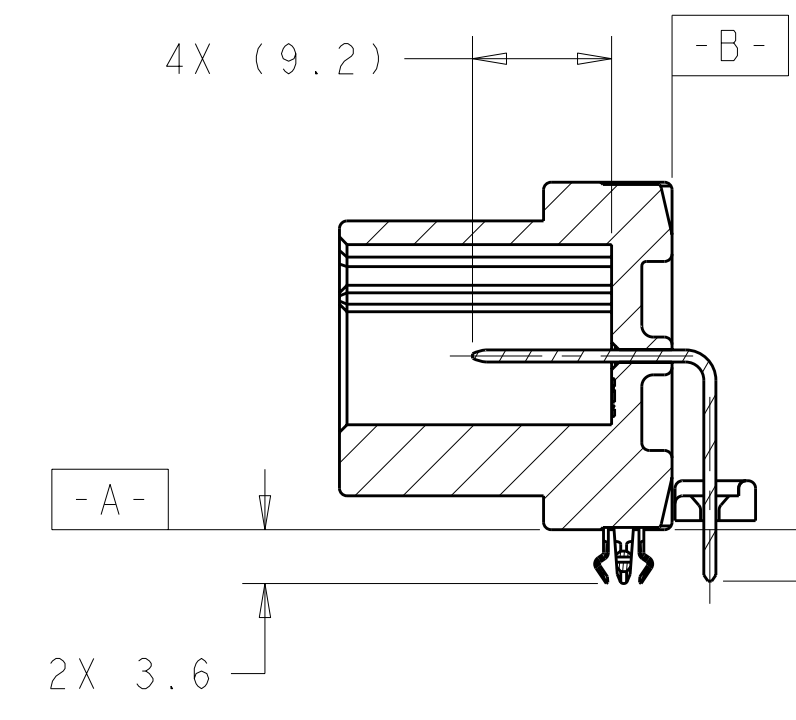
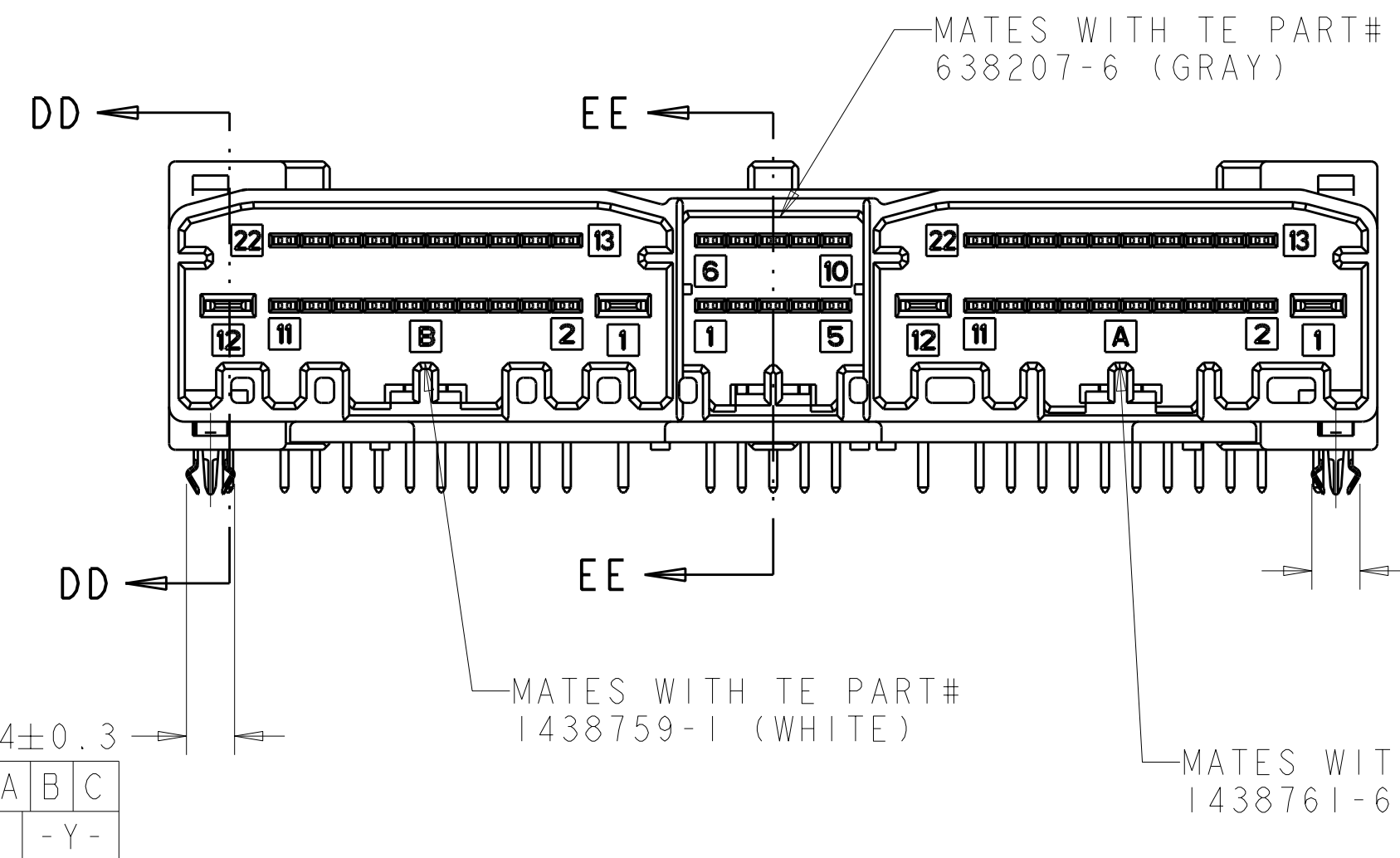
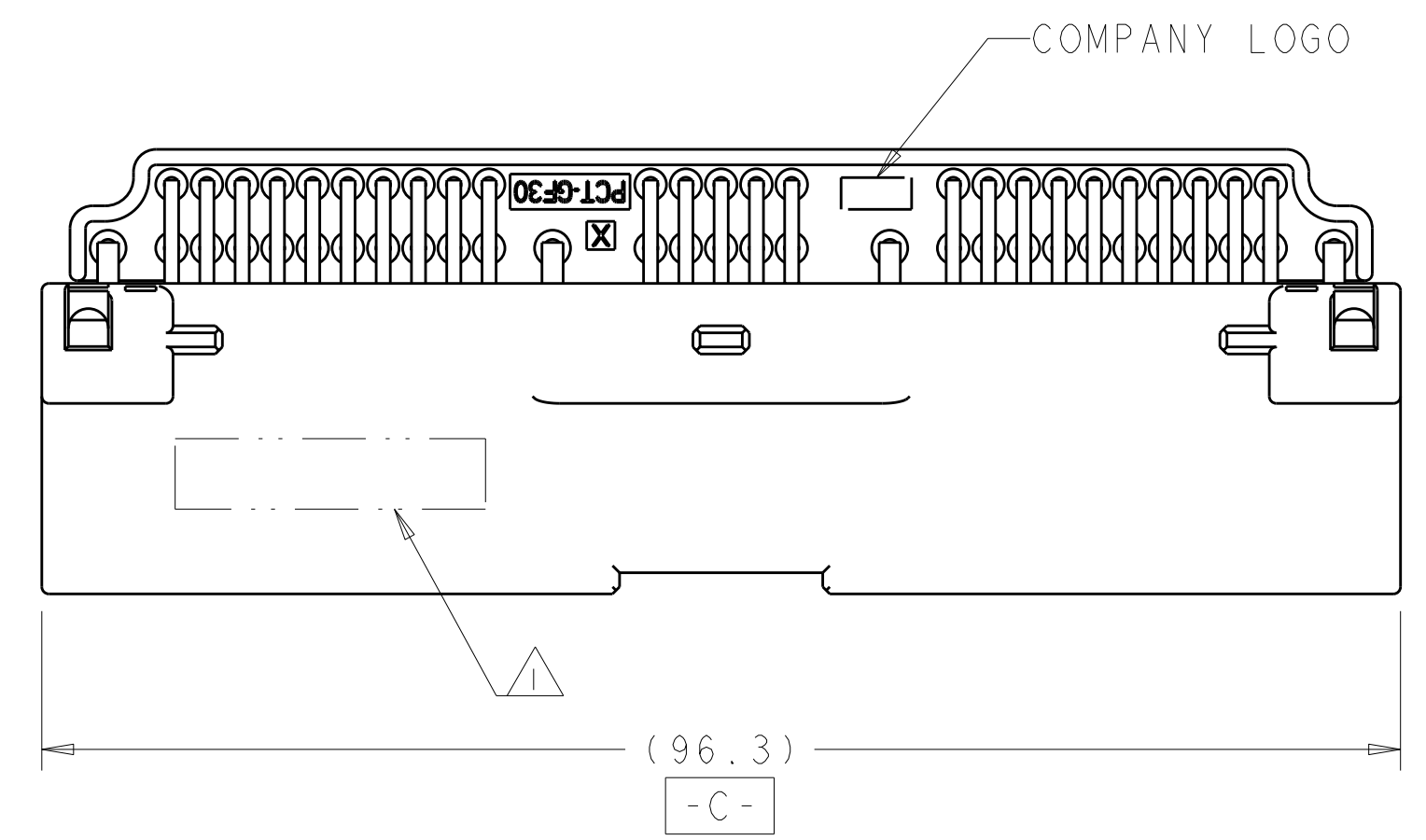
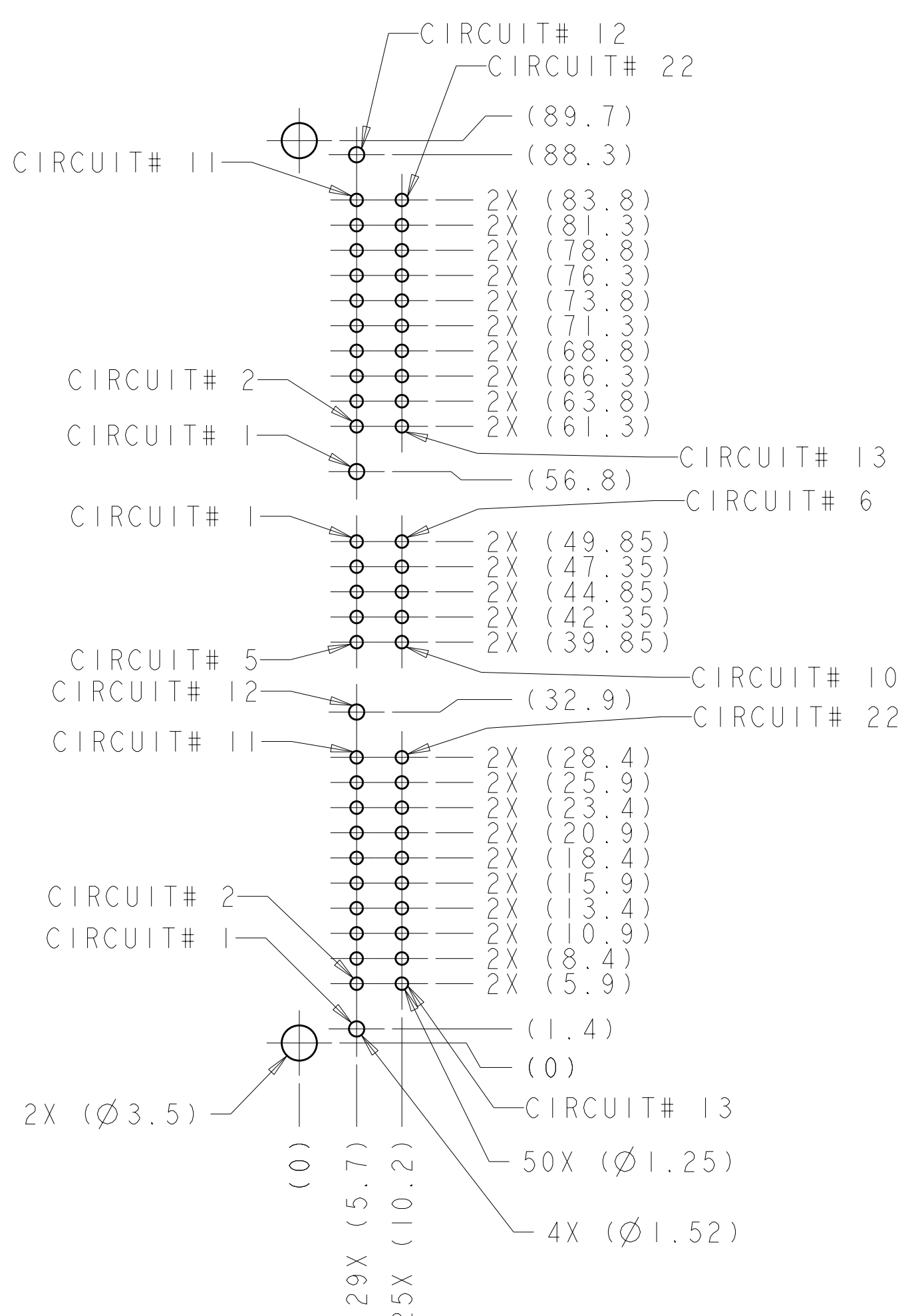


LOC	DIST	REV	DATE	BY	APPD
FX	00				
C		REV PER ECR-06-000886	09MAR2006	MBH	AV
C1		REV PER ECR-06-021177	27FEB2007	AH	CS
C2		REVISED PER ECO-09-016926	20JUL2009	DLD	MHB
C3		REV PER ECR-10-012887	17JUN2010	VSS	MB



PCT	GRAY	BRASS	PRE-TIN	BRASS	POST-TIN	PCT	GRAY	9-1438743-6
MATERIAL	FINISH	MATERIAL	FINISH	MATERIAL	FINISH	MATERIAL	COLOR	PART NO
TINE PLATE		BOARDLOCK		CONTACT		HOUSING		
DIMENSIONS:		TOLERANCES UNLESS OTHERWISE SPECIFIED:		DWN		Tyco Electronics		
mm		9 PLC ±0.0		27 JUL 2004		Harrisburg, PA 17105-3608		
Ø		1 PLC ±0.3		CHK A. VASINDRER		Tyco Electronics		
MATERIAL		FINISH		APVD T. MEHAFFEY		NAME		
SEE TABLE		SEE TABLE		PRODUCT SPEC		54-WAY HYBRID 040, 2.8 PINS DOWN CAP ASSEMBLY WITH BOARDLOCKS		
				APPLICATION SPEC		SIZE		
				WEIGHT		CAGE CODE		
				CUSTOMER DRAWING		DRAWING NO		
						SCALE		
						SHEET		
						OF		
						REV		
						C3		

NOTES:  
 △ MARK DATE CODE IN APPROXIMATE LOCATION.