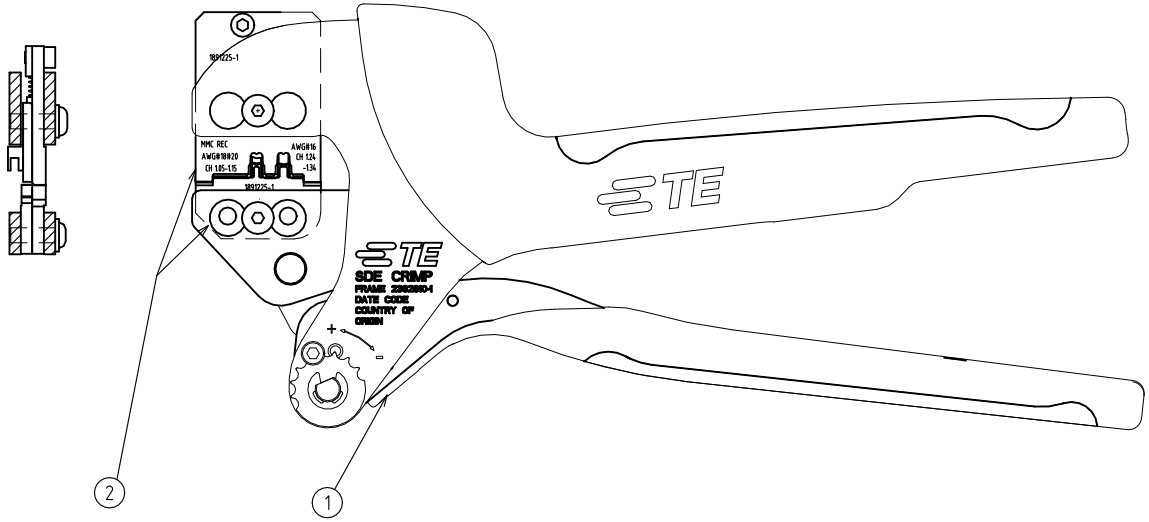


REVISIONS 変更				
P	LTR	DESCRIPTION	DATE	APVD
B		REVISED PER ECR-23-184103	14AUG2023	AM

TERMINAL No.	WIRE SIZE	INS. RANGE (mm)	TERMINAL CH (mm)		IS. No.
			WIRE	INS.	
1903365-1	0.22 sq	∅0.95-∅1.05	0.58-0.68	1.2 REF	411-78215
	0.35 sq	∅1.1-∅1.2	0.67-0.77	1.3 REF	



0.50 M-TYPE

- 1 ONLY

1	1891225-1	DIE ASSY	2
1	2362810-1	SDE-Pro HAND TOOL	1
-1	PART NO.	NAME	ITEM NO.

TE Connectivity. All Rights Reserved.

DIMENSIONS: 单位: 耗 mm	DWN	S.NAKA	25.OCT.2005	MATERIAL	-	FINISH	-
	CHK	S.NAKA	25.OCT.2005	TE Connectivity			
TOLERANCES UNLESS OTHERWISE SPECIFIED: 一般公差		APVD	S.YABE				
0 PLC ± - 1 PLC ± - 2 PLC ± - 3 PLC ± - 4 PLC ± - ANGLES ± -	PRODUCT SPEC 製品規格 -		NAME 名称 SDE HAND TOOL				
APPLICATION SPEC 取付適用規格 114-5379-1		SIZE	A4	CAGE CODE	00779	DRAWING NO 番号	1891224
		WEIGHT	650g	RESTRICTED TO		-	
CUSTOMER DRAWING				SCALE	1:2	SHEET	1 OF 1
				REV	B		