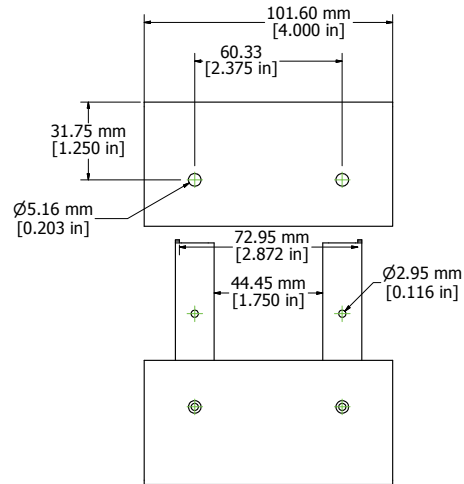
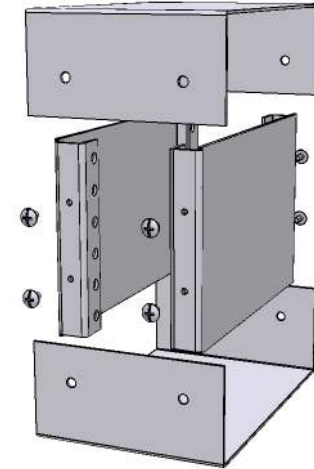


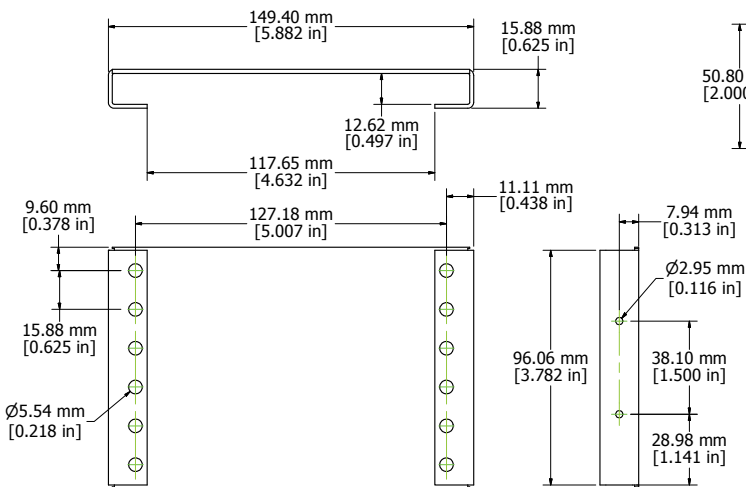
ASSEMBLY - END VIEW (OPEN)



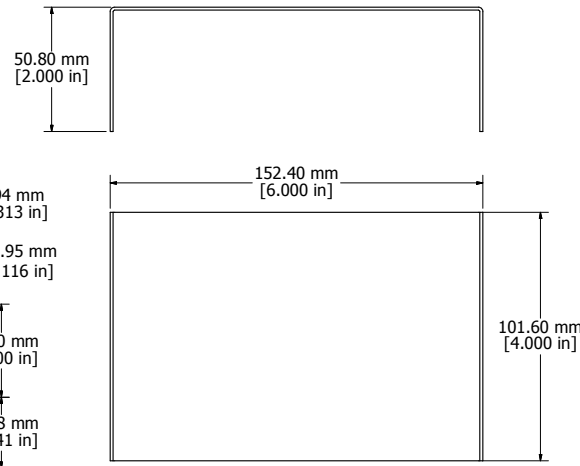
ASSEMBLY - SIDE VIEW (OPEN)



Enclosures can be Factory Modified (Milling, Drilling, Printing etc.)
 Contact Factory mjm@hammondmfg.com for quotes
 Solid models of this enclosure available in STEP or IGES.



END PLATES



BOTTOM/TOP ENCLOSURE

| 1458B4 | |
|---|------------------|
| Top/Bottom - 18 ga. Steel | |
| Powder Coated Black RAL 9011 - 1458B4 | |
| Powder Coated Gulf Blue RAL 5021 - 1458B4B | |
| Front/Rear Panels - .064 Aluminum | |
| 1- Black RAL 9011 | 1- Grey RAL 7032 |
| 8 Screws Self Tapping 632 Philips Nickel Plated | |
| 4 Self Adhesive Rubber Feet Included | |
| Replacement Screws - 1421-J6 (6 pcs.) | |



1458B4
hammondmfg.com