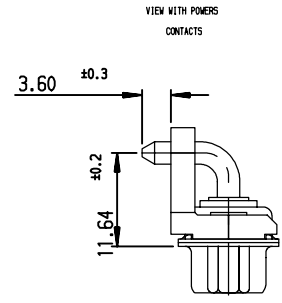
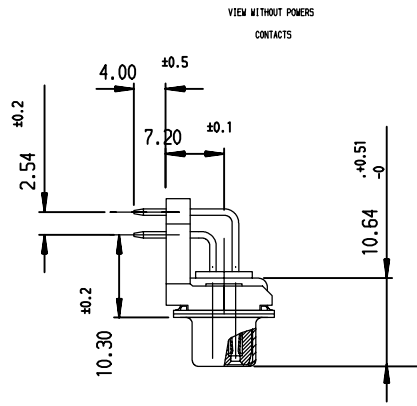
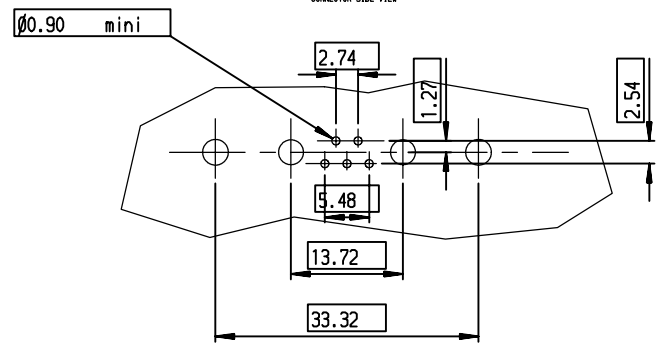


LAYOUT DIMENSIONS (after plating)

CONNECTOR SIDE VIEW



DAV7W2S500P40LF	UNC 4.40
DAI7W2S500P40LF	M3
PART NUMBER	Threaded A

GENERAL CHARACTERISTICS AND ROHS INFORMATIONS
SEE DRAWING NUMBER: C01-8639-0000

European Views

www.fciconnect.com		surface ISO 1302 ✓	tolerance std ISO 406 ISO 1101	projection mm
Dr JARRY 2005/10/22		TOLERANCES UNLESS OTHERWISE SPECIFIED		size A3
Eng PESSON 2005/10/22	Chr LEGARE 2005/10/22	ANGULAR	LINEAR	
Chr LEGARE 2005/10/22	Appr LEGARE 2005/10/22	0.X ±0.1	0.XX ±0.1	
Product family D-SUB		0.XXX ±0.1	ECN L506-0095	Scale 1.5
Spec ref -				

rev	ecn no	dr	date
A	LS05-0090	MPE	2005/10/22
B	LS06-0095	LGO	2006/07/20
-	-	-	-
-	-	-	-
-	-	-	-

FCI	SOCKET CONNECTOR RIGHT ANGLED		dwg no C01-8639-2216	Rev. B
	WITH POWERS CONTACTS			
catalog no	-		CUSTOMER	sheet 1 of 1