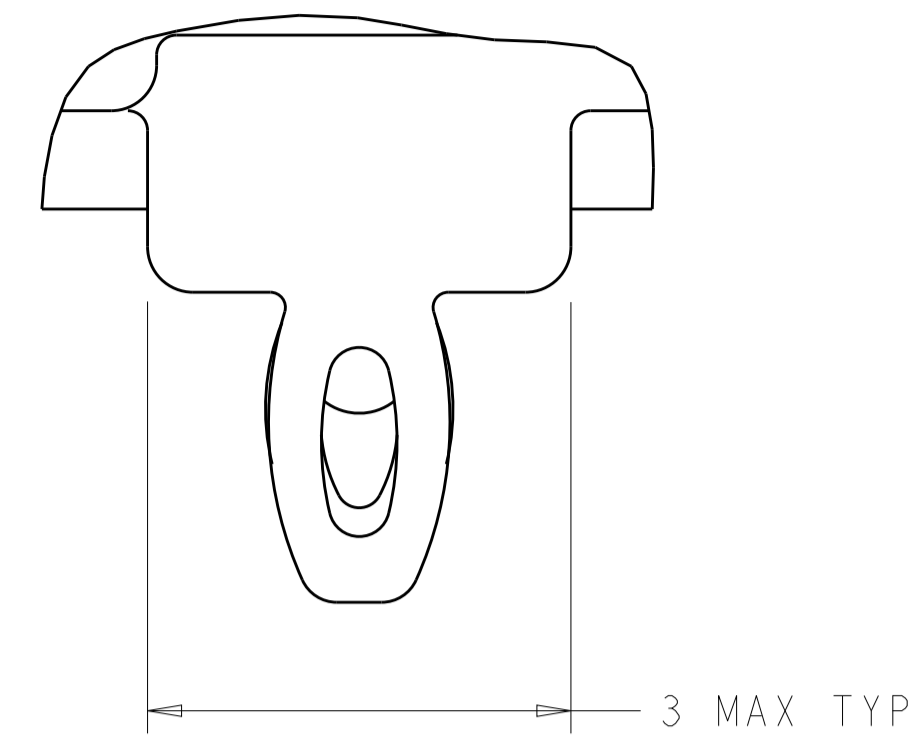


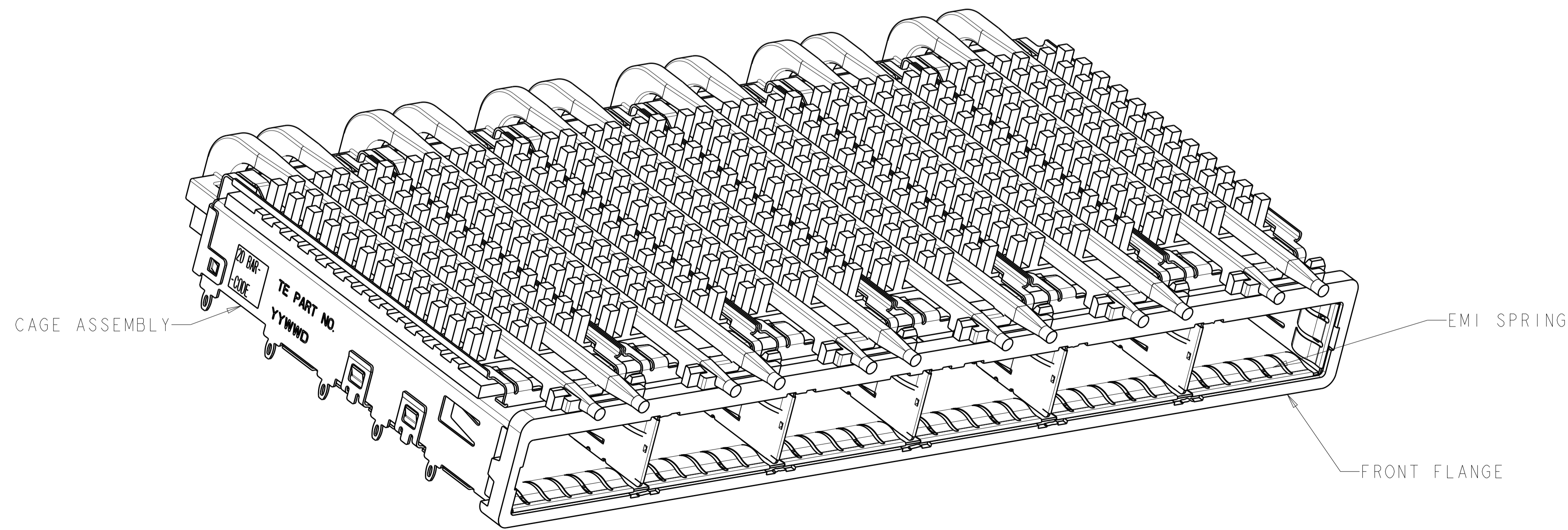
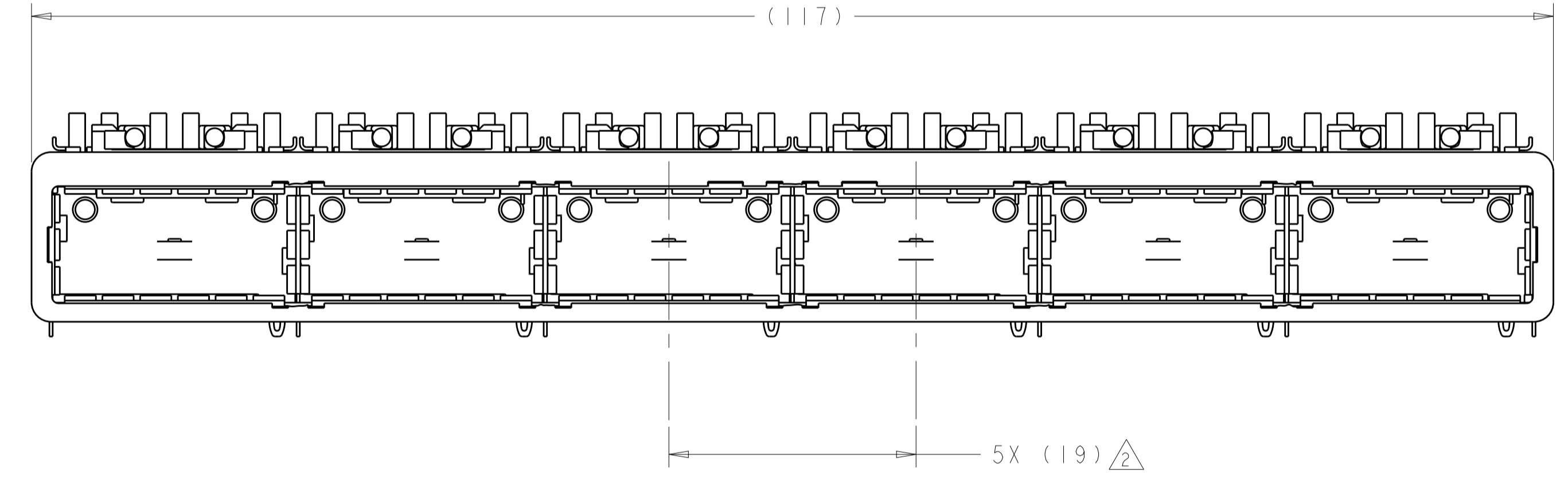
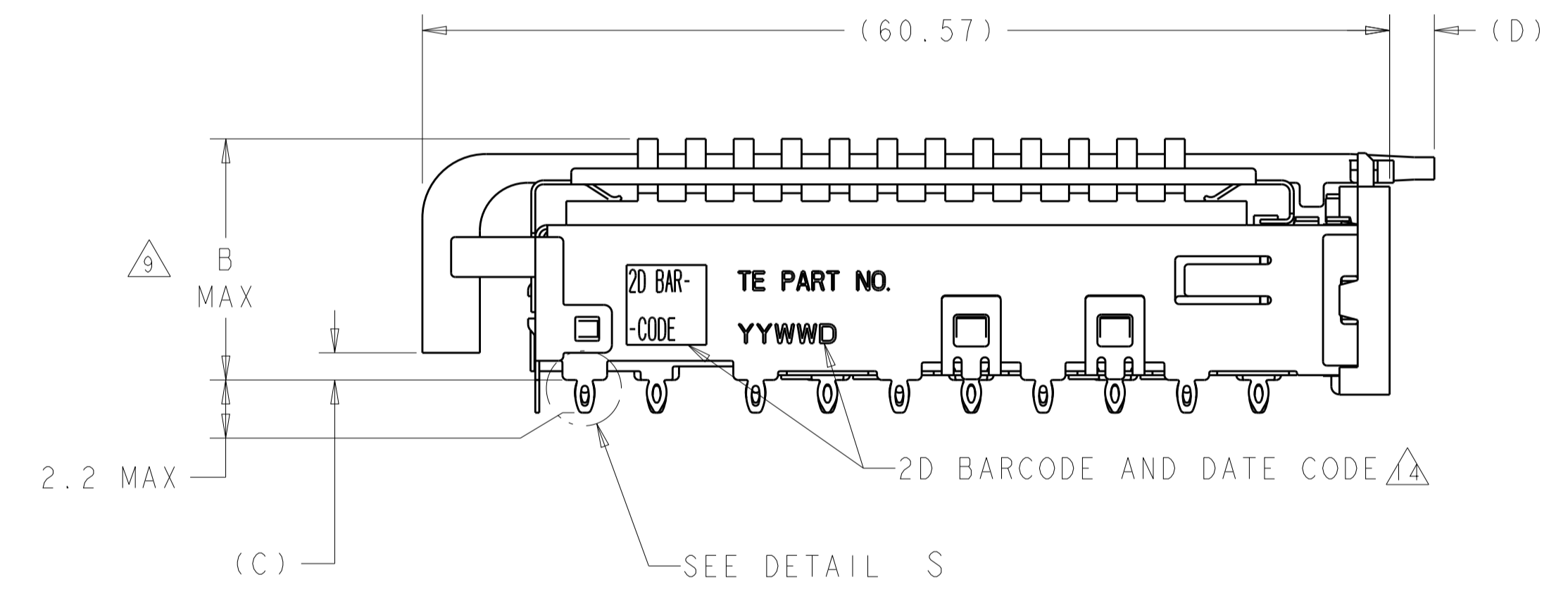
LOC	DIST	REVISIONS					
		P	LTN	DESCRIPTION	DATE	DWN	APVD
GP	00	A		RELEASE TO A PER ECO-15-018552	28DEC2015	RG	SH



DETAIL S
 SCALE 20:1

- 1 CAGE ASSEMBLY MATERIAL: NICKEL SILVER, 0.25 THICK
 HEAT SINK MATERIAL: ALUMINUM
 HEAT SINK CLIP MATERIAL: STAINLESS STEEL
 EMI SPRING MATERIAL: COPPER ALLOY
 FRONT FLANGE MATERIAL: ZINC ALLOY
 LIGHT PIPE MATERIAL: CLEAR POLYCARBONATE
- 2 PITCH BETWEEN PORTS OF ONE 1X6 CAGE ASSEMBLY.
- 3 SPACING BETWEEN CAGES ON THE SAME PC BOARD, TO BE SPECIFIED BY CUSTOMER, MUST COMPLY WITH MINIMUM DIMENSIONS SHOWN.
- 4 REFERENCE APPLICATION SPEC 114-13218 FOR RECOMMENDED DRILL HOLE DIAMETER AND PLATING THICKNESS.
- 5 DATUMS AND BASIC DIMENSIONS ESTABLISHED BY CUSTOMER.
- 6 DIMENSION F IS THE NOMINAL THICKNESS OF CUSTOMER SUPPLIED PC BOARD,
 SINGLE SIDED PC BOARD MINIMUM THICKNESS = 1.45mm
 DOUBLE SIDED PC BOARD MINIMUM THICKNESS = 2.2mm PER QSFP.
- 7 HEAT SINKS, LIGHT PIPES, AND HEAT SINK CLIPS SHIPPED ASSEMBLED TO CAGE ASSEMBLY.
- 8 DATUM A IS TOP SURFACE OF PC BOARD.
- 9 DIMENSION APPLIES WITH MODULE INSERTED IN CAGE.
- 10 UNPLATED THRU HOLE.
- 11 MATES WITH QSFP MSA COMPATIBLE TRANSCEIVER.
- 12 SURFACE TRACES PERMITTED WITHIN THIS AREA EXCEPT WHERE CAGE STANDOFFS, SHOWN IN DETAIL S, CONTACT PC BOARD.
- 13 BASELINE FOR THESE DIMENSIONS IS THE CENTER OF COMPLIANT PIN HOLE.
- 14 2D BARCODE AND DATE CODE (YYWW) MARKED ON SIDE OF CAGE.

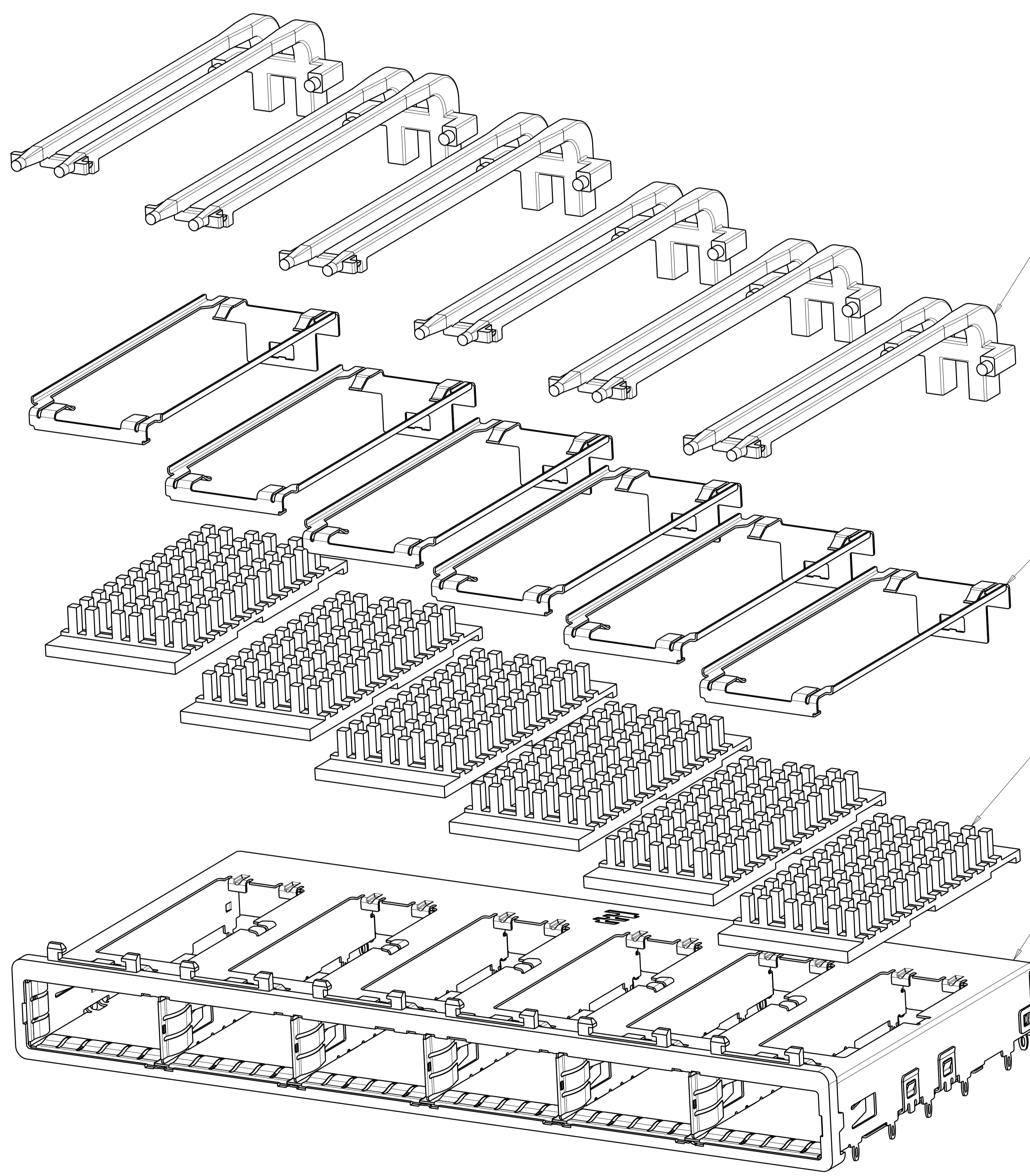
- 15 REFERENCE APP SPEC 114-13218 FOR GASKET THICKNESS CALCULATION.
- 16 EMI SPRING FINISH: 2µm MINIMUM TIN
 FRONT FLANGE FINISH: 3µm MINIMUM TIN OVER 1.27µm MINIMUM NICKEL OVER 5.08µm MINIMUM COPPER.
 HEAT SINK FINISH: NICKEL OR BLACK ANODIZED
- 17 HEAT SINKS AND CLIPS SHIPPED ASSEMBLED TO CAGE ASSEMBLY.
 LIGHT PIPES, SHIPPED UNATTACHED, MUST BE ASSEMBLED BY CUSTOMER AFTER THE CASE IS SEATED IN THE PCB.



7	0.8-1.1	2.8	1.70	23.0	NETWORKING	2143307-3
7	0.8-1.1	2.8	1.70	16.0	SAN	2143307-2
17	0.8-1.1	2.8	1.70	13.7	PCI	2143307-1
	E	D	C	B	HEAT SINK PROFILE	PART NUMBER

THIS DRAWING IS A CONTROLLED DOCUMENT.		DWN: C. VALENTINE 04MAR2010	
DIMENSIONS:		CHK: J. PETERSON 04MAR2010	
TOLERANCES UNLESS OTHERWISE SPECIFIED:		APVD: J. PETERSON 04MAR2010	
mm		NAME: 1X6 CAGE ASSEMBLY, BEHIND BEZEL, W/ LIGHT PIPES AND HEAT SINKS, QSFP	
0 PLC	±	PRODUCT SPEC	SIZE: CAGE CODE DRAWING NO
1 PLC	±0.1	108-2286	RESTRICTED TO
2 PLC	±0.13	APPLICATION SPEC	A100779C=2143307
3 PLC	±0.001	114-13218	SCALE 3:1 SHEET 1 OF 5 REV A
4 PLC	±0.001	WEIGHT	
ANGLES	±	CUSTOMER DRAWING	
MATERIAL		FINISH	
1		16	

LOC	DIST	REVISIONS					
GP	00	P.	LYR	DESCRIPTION	DATE	DWN	APVD
		-		SEE SHEET 1		-	-



DOUBLE LIGHT PIPES $\triangle\triangle\triangle$
 QUANTITY: 6

HEAT SINK CLIPS $\triangle\triangle\triangle$
 QUANTITY: 6

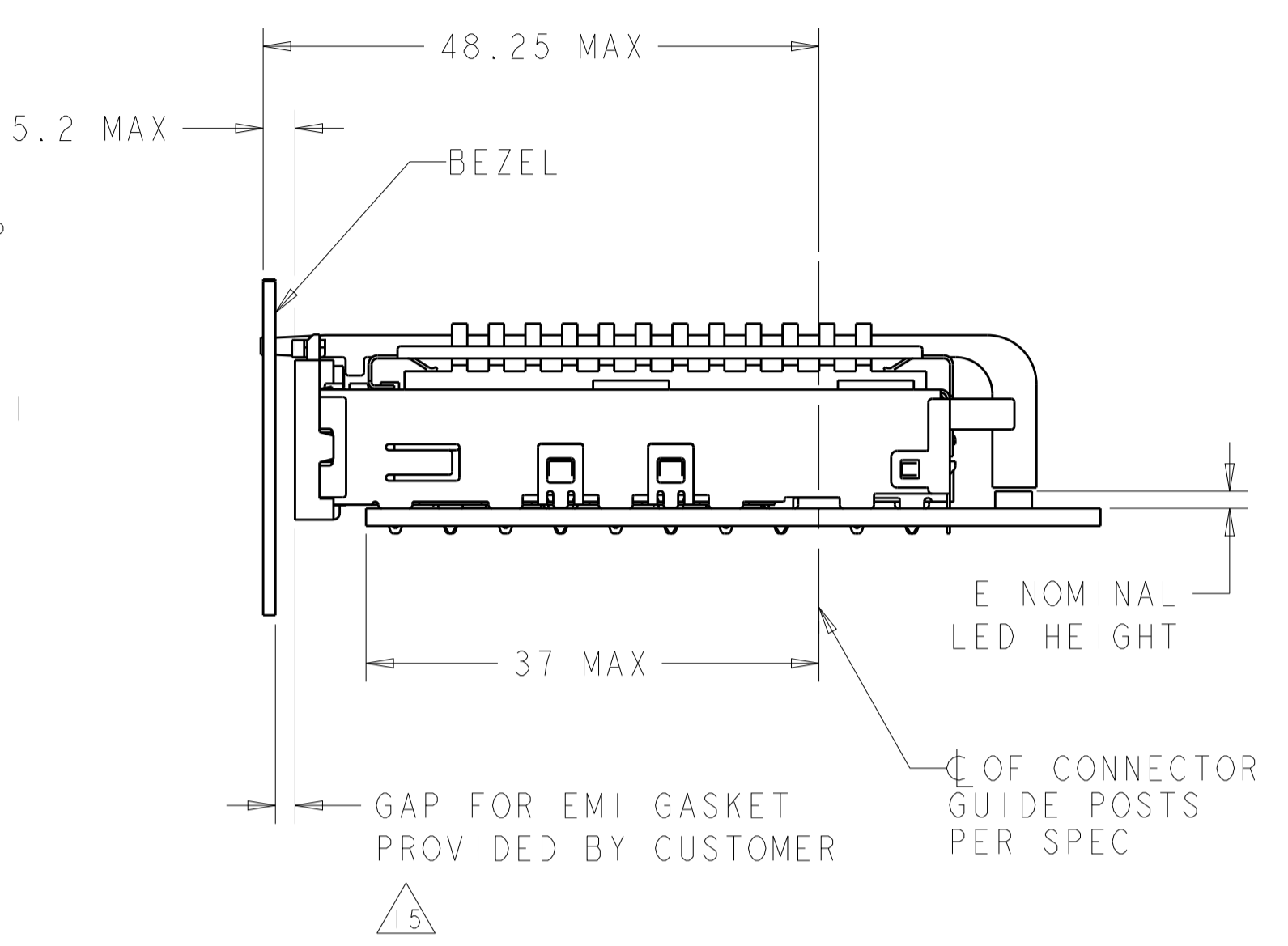
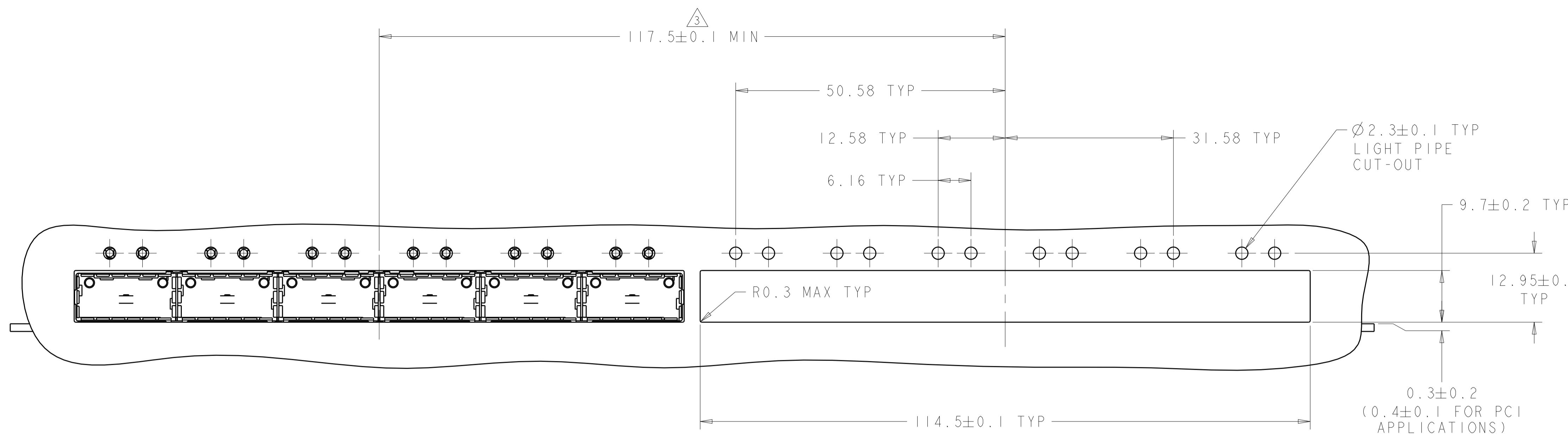
72 PIN HEAT SINKS $\triangle\triangle\triangle$
 QUANTITY: 6

1X6 BEHIND BEZEL QSFP
 CAGE ASSEMBLY
 QUANTITY: 1

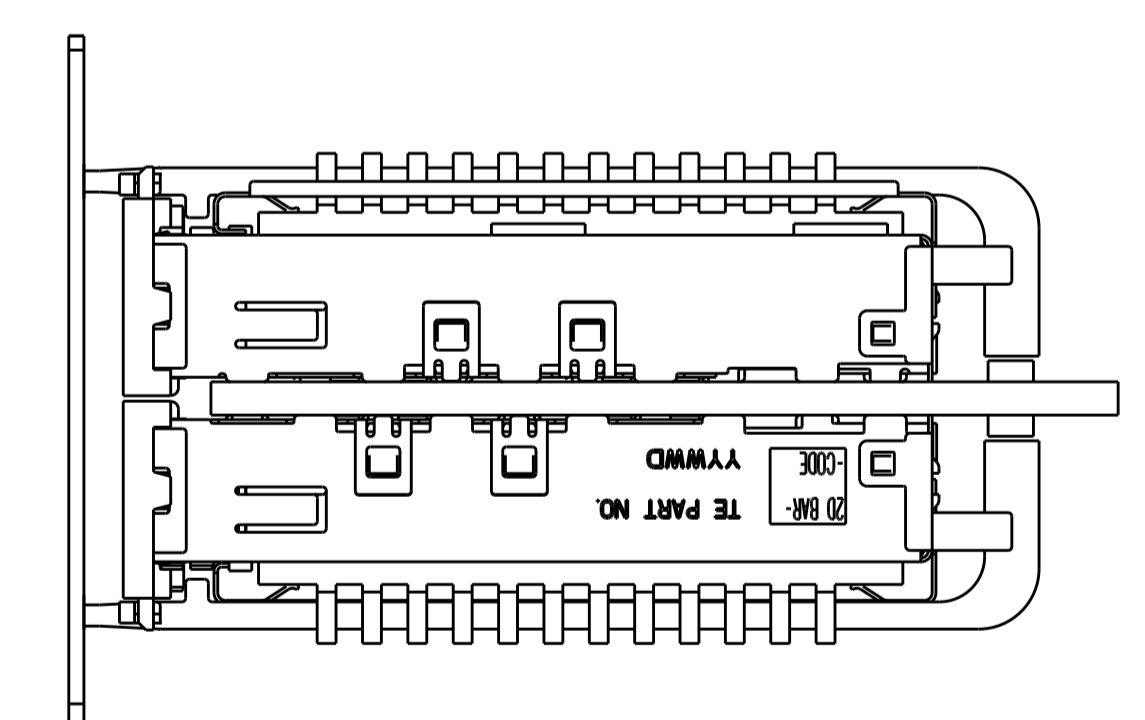
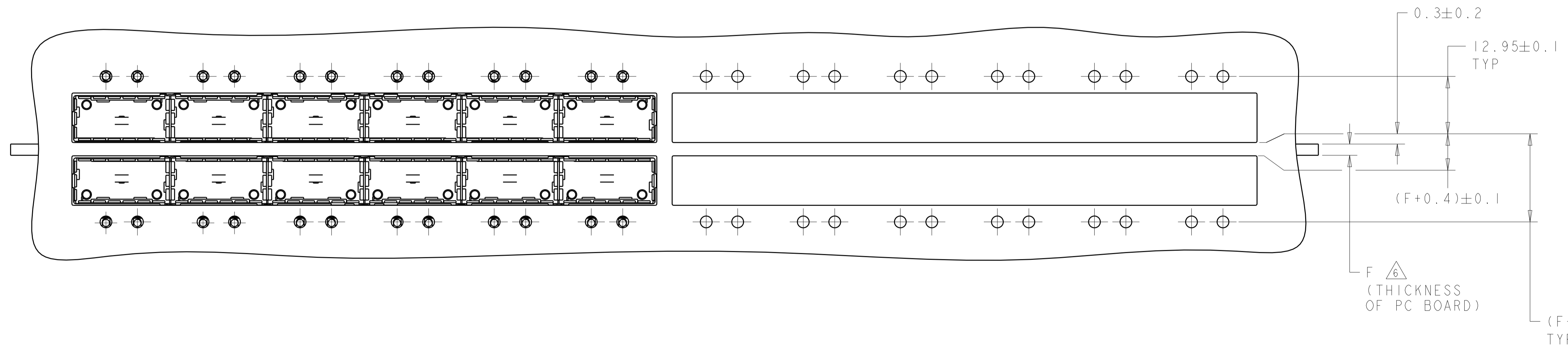
THIS DRAWING IS A CONTROLLED DOCUMENT.		DWN C. VALENTINE 04MAR2010	TE Connectivity
DIMENSIONS: mm		CHK J. PETERSON 04MAR2010	
		APVD J. PETERSON 04MAR2010	NAME 1X6 CAGE ASSEMBLY, BEHIND BEZEL, W/ LIGHT PIPES AND HEAT SINKS, QSFP
TOLERANCES UNLESS OTHERWISE SPECIFIED:		PRODUCT SPEC 108-2286	RESTRICTED TO
0 PLC ±		APPLICATION SPEC 114-13218	SIZE A100779C=2143307
1 PLC ±0.1		WEIGHT	SCALE 3:1 SHEET 2 OF 5 REV A
2 PLC ±0.1		CUSTOMER DRAWING	
3 PLC ±0.013			
4 PLC ±0.0001			
ANGLES ±			
FINISH			

LOC	DIST	REV	DATE	BY	APPD
GP	00				

REVISIONS			
NO.	DESCRIPTION	DATE	BY
-	SEE SHEET 1	-	-



ONE SIDED CONFIGURATION
SCALE 2:1

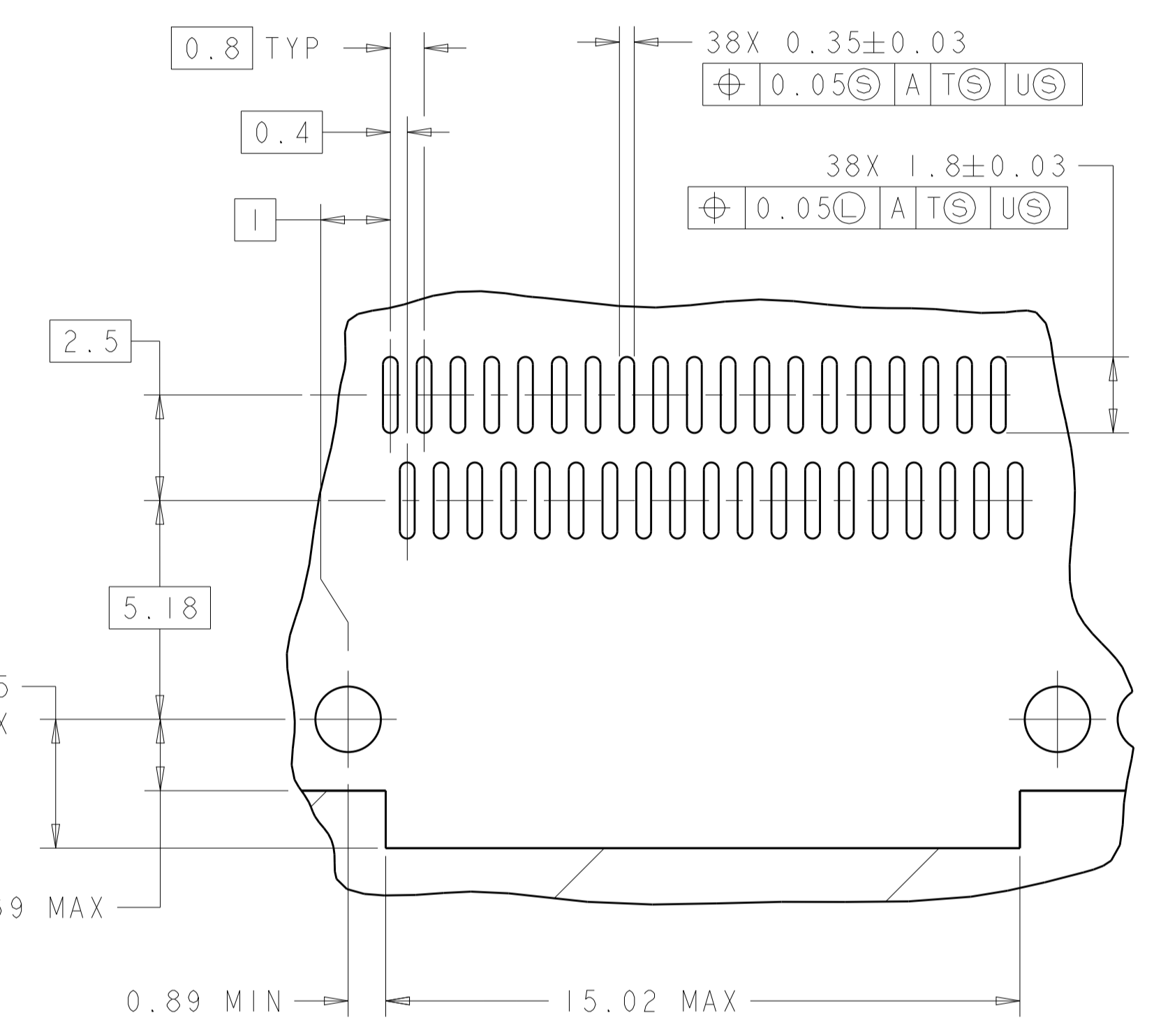
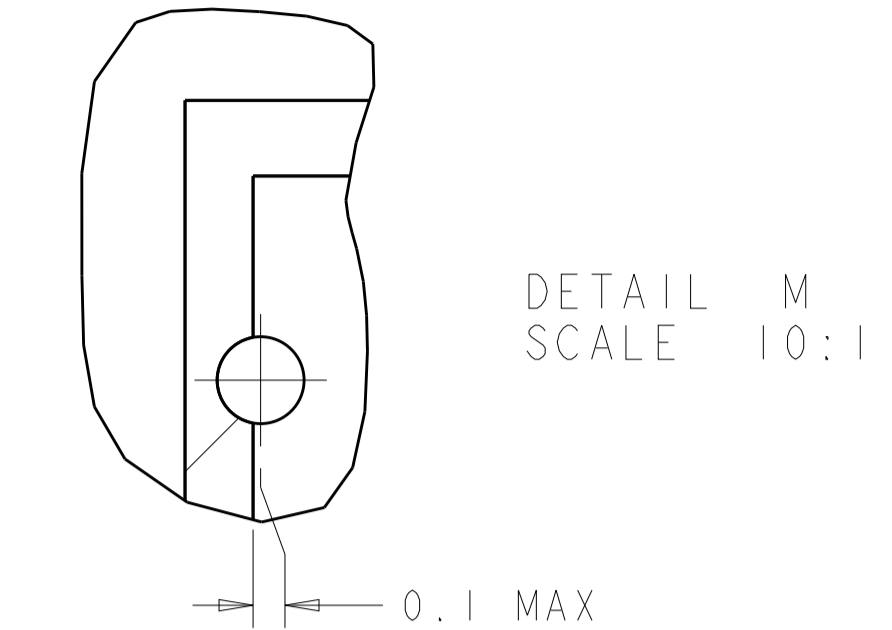
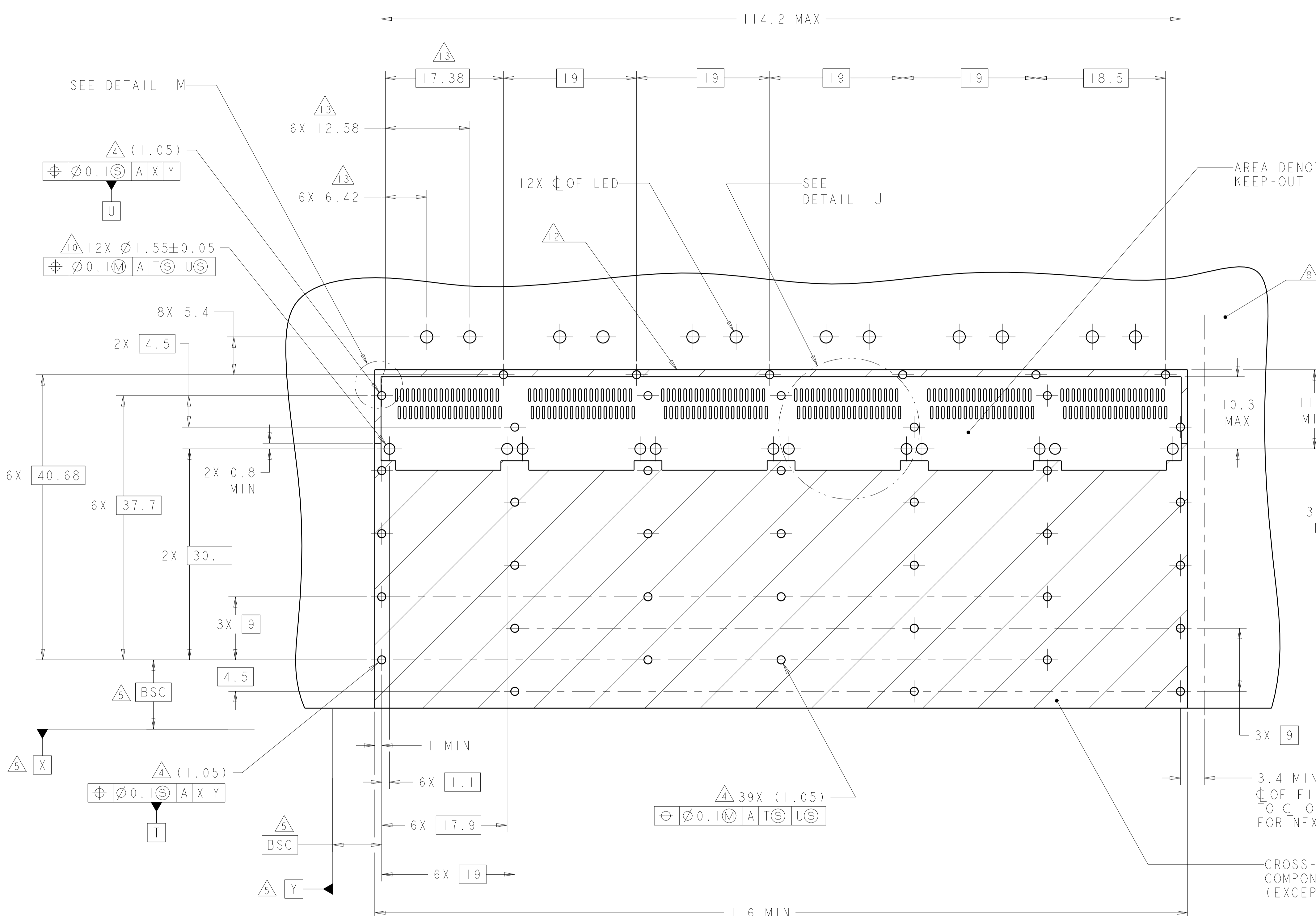


BELLY TO BELLY CONFIGURATION
SIMILAR TO ONE SIDED
EXCEPT WHERE NOTED
SCALE 2:1

THIS DRAWING IS A CONTROLLED DOCUMENT.		OWN: C. VALENTINE 04MAR2010	TE Connectivity
DIMENSIONS: mm		CHK: J. PETERSON 04MAR2010	
TOLERANCES UNLESS OTHERWISE SPECIFIED:		APVD: J. PETERSON 04MAR2010	NAME: 1X6 CAGE ASSEMBLY, BEHIND BEZEL, W/ LIGHT PIPES AND HEAT SINKS, QSFP
0 PLC ± 1 PLC ±0.1 2 PLC ±0.1 3 PLC ±0.013 4 PLC ±0.0001 ANGLES ±		PRODUCT SPEC: 108-2286	
MATERIAL: -		APPLICATION SPEC: 114-13218	RESTRICTED TO: -
FINISH: -		WEIGHT: -	SIZE: A1
CUSTOMER DRAWING		SCALE: 3:1	SHEET 3 OF 5

LOC	DIST	REV	DATE	BY	APPV
GP	00				

REVISIONS			
NO.	DESCRIPTION	DATE	BY
-	SEE SHEET 1	-	-



RECOMMENDED PC BOARD LAYOUT
 SINGLE SIDE MOUNT CONFIGURATION
 SCALE 3:1

CROSS-HATCHED AREA DENOTES
 COMPONENT AND TRACE KEEP-OUT
 (EXCEPT CHASSIS GROUND)

THIS DRAWING IS A CONTROLLED DOCUMENT.		OWN: C. VALENTINE 04MAR2010	TE Connectivity
DIMENSIONS: mm		CHK: J. PETERSON 04MAR2010	
TOLERANCES UNLESS OTHERWISE SPECIFIED:		APVD: J. PETERSON 04MAR2010	NAME: 1X6 CAGE ASSEMBLY, BEHIND BEZEL, W/ LIGHT PIPES AND HEAT SINKS, QSFP
0 PLC ±0.1	1 PLC ±0.1	PRODUCT SPEC: 108-2286	SIZE: A1
2 PLC ±0.1	3 PLC ±0.013	APPLICATION SPEC: 114-13218	CAGE CODE: 2143307
4 PLC ±0.0001	ANGLES ±0.0001	WEIGHT: -	RESTRICTED TO: -
MATERIAL: -	FINISH: -	CUSTOMER DRAWING	SCALE: 3:1 SHEET: 4 OF 5 REV: A

