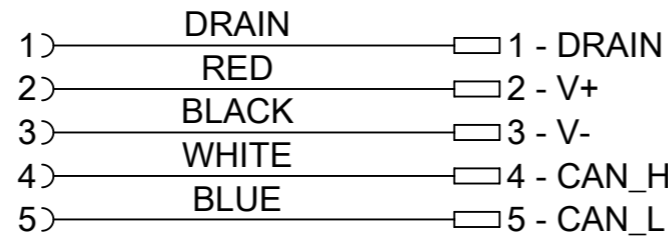


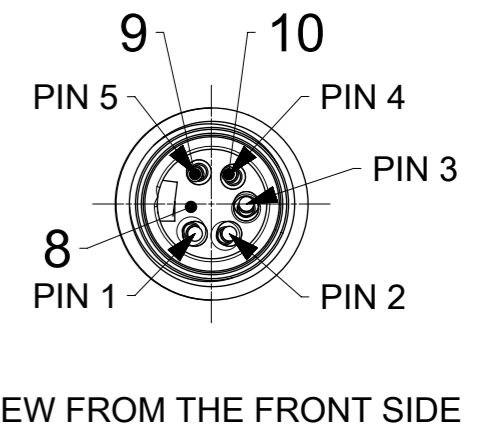
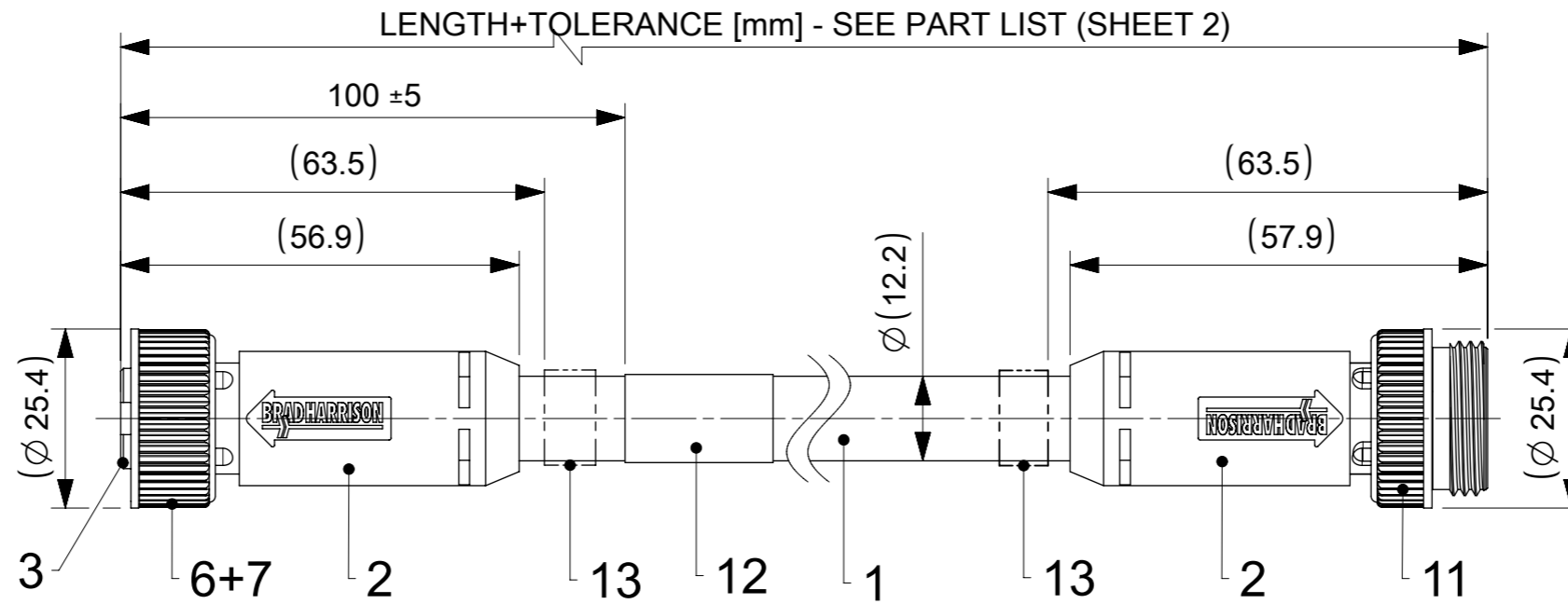
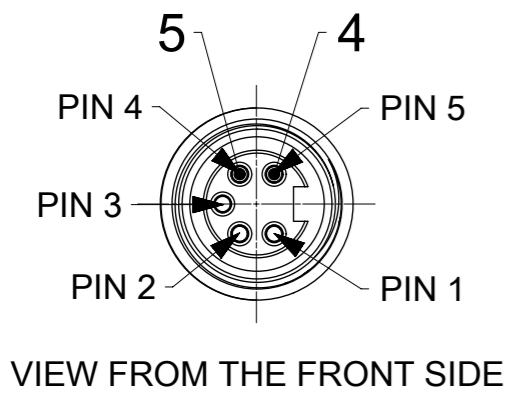
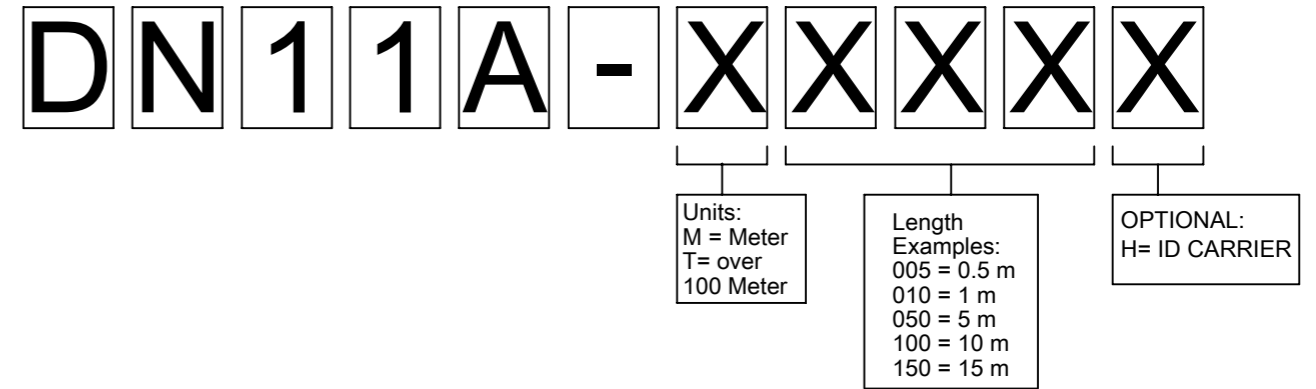
NOTES:

- ELECTRICAL:
 - VOLTAGE RATING PER IEC 60664: 300V
 - VOLTAGE RATING PER UL: 300V
 - CURRENT: 8A
- TEMP RATING: -25° TO +60°C
- PROTECTION: IP67 (WHEN MATED)
- COUPLING THREAD" 7/8-16
- AGENCY:
 - UL RECOGNIZED, FILE: E152210
 - CSA CERTIFICATION FILE: LR6837
- ALL DIMS ARE FOR REFERENCE UNLES NOTED OTHERWISE
- PART NUMBERS WITH "H" HAVE TWO ID MARKERS ONE ON EACH END

WIRING DIAGRAM

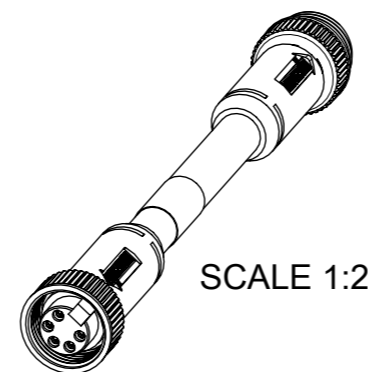


PART No. MATRIX



BILL OF MATERIALS

ITEM	QTY	DESCRIPTION	MATERIAL	FINISH/COLOR
13	2	ID CARRIER	PVC	-
12	1	LABEL WRAP	VINYL	YELLOW
11	1	COUPLING NUT A-SIZE EXT.	ZINC	BLACK
10	2	PIN CONTACT 16 AWG	COPPER	GOLD OVER Ni-PLATED
9	3	PIN CONTACT 18 AWG	COPPER	GOLD OVER Ni-PLATED
8	1	HOUSING A-SIZE 5P MALE	ARNITEL	BLACK
7	1	FRICTION RING A-SIZE	NYLON	GRAY
6	1	MC COUPLING NUT A-SIZE	ZINC	BLACK
5	2	MC SOCKET SLEEVE ASSY 16 AWG	COPPER	GOLD OVER Ni-PLATED
4	3	MC SOCKET SLEEVE ASSY 18 AWG	COPPER	GOLD OVER Ni-PLATED
3	1	HOUSING A-SIZE 5P FEMALE	ARNITEL	BLACK
2	-	MOULDING MATERIAL	ARNITEL	BLACK
1	-	TRUNK CABLE 19X30 AWG OD=12	PVC	GRAY
ITEM	QTY	DESCRIPTION	MATERIAL	FINISH/COLOR



FUNCTIONAL SYMBOLS	THIS DRAWING CONTAINS INFORMATION THAT IS PROPRIETARY TO MOLEX ELECTRONIC TECHNOLOGIES, LLC AND SHOULD NOT BE USED WITHOUT WRITTEN PERMISSION		CURRENT REV DESC: PIN'S ADDED, NOTES UPDATED	
	△/A = 0	mm	SCALE	1:1
DIVISIONAL SYMBOLS	GENERAL TOLERANCES (UNLESS SPECIFIED)			
	△/E = 0	ANGULAR TOL ± 1.0°		
FUNCTIONAL SYMBOLS	4 PLACES	±	EC NO: 695738	
	3 PLACES	±	DRWN: RSCHIEBER 2022/02/14	
	2 PLACES	± 0.05	CHK'D: RSILLER 2022/02/15	
	1 PLACE	± 0.3	APPR: RSILLER 2022/02/15	
	0 PLACES	± 0.5	INITIAL REVISION:	
DRAFT WHERE APPLICABLE MUST REMAIN WITHIN DIMENSIONS		THIRD ANGLE PROJECTION	DRAWING	SERIES
			A3-SIZE	130025
		DOCUMENT NUMBER	CUSTOMER	SHEET NUMBER
		1300250051	GENERAL MARKET	1 OF 2

PART LIST

MOLEX PN	ENGINEERING NO.	LENGTH + TOL.[mm]
1300240329	DN11A-M650	65000 +1300
1300250048	DN11A-M003	300 +19
1300250051	DN11A-M005	500 +45
1300250054	DN11A-M010	1000 +56
1300250058	DN11A-M015	1500 +56
1300250061	DN11A-M020	2000 +89
1300250067	DN11A-M030	3000 +89
1300250071	DN11A-M040	4000 +165
1300250073	DN11A-M050	5000 +165
1300250076	DN11A-M060	6000 +165
1300250079	DN11A-M070	7000 +165
1300250081	DN11A-M080	8000 +317
1300250083	DN11A-M090	9000 +317
1300250085	DN11A-M100	10000 +317
1300250087	DN11A-M120	12000 +317
1300250090	DN11A-M130	13000 +317
1300250091	DN11A-M140	14000 +317
1300250092	DN11A-M150	15000 +610
1300250095	DN11A-M180	18000 +610
1300250097	DN11A-M200	20000 +610
1300250099	DN11A-M210	21000 +610
1300250102	DN11A-M240	24000 +610
1300250103	DN11A-M250	25000 +610
1300250105	DN11A-M270	27000 +610
1300250108	DN11A-M300	30000 +610

MOLEX PN	ENGINEERING NO.	LENGTH + TOL.[mm]
1300250114	DN11A-M350	35000 +700
1300250117	DN11A-M400	40000 +800
1300250119	DN11A-M450	45000 +900
1300250122	DN11A-M500	50000 +1000
1300250124	DN11A-M550	55000 +1100
1300250125	DN11A-M600	60000 +1200
1300250127	DN11A-M700	70000 +1400
1300250128	DN11A-M750	75000 +1500
1300250133	DN11A-T100	100000 +2000
1300250596	DN11A-T200	200000 +4000
1300250649	DN11A-M005H	500 +45
1300250652	DN11A-M050H	5000 +165
1300250654	DN11A-M060H	6000 +165

FUNCTIONAL SYMBOLS F/A = 0 F/E = 0 F/P = 0	THIS DRAWING CONTAINS INFORMATION THAT IS PROPRIETARY TO MOLEX ELECTRONIC TECHNOLOGIES, LLC AND SHOULD NOT BE USED WITHOUT WRITTEN PERMISSION		<p style="text-align: center;">molex</p> <p style="text-align: center;">CSE MC 5P FE STR PVC MA STR 25M DE</p> <p style="text-align: center;">PRODUCT CUSTOMER DRAWING</p>																																						
	<table border="1"> <tr> <th>DIMENSION UNITS</th> <th>SCALE</th> </tr> <tr> <td>mm</td> <td>1:1</td> </tr> </table>	DIMENSION UNITS			SCALE	mm	1:1	<table border="1"> <tr> <th>CURRENT REV DESC:</th> <th>UPDATED</th> </tr> <tr> <td>P/N'S ADDED, NOTES</td> <td></td> </tr> </table>	CURRENT REV DESC:	UPDATED	P/N'S ADDED, NOTES		<table border="1"> <tr> <th>DOCUMENT NUMBER</th> <th>DOC TYPE</th> <th>DOC PART</th> <th>REVISION</th> </tr> <tr> <td>1300250051</td> <td>PSD</td> <td>000</td> <td>B1</td> </tr> </table>	DOCUMENT NUMBER	DOC TYPE	DOC PART	REVISION	1300250051	PSD	000	B1																				
DIMENSION UNITS	SCALE																																								
mm	1:1																																								
CURRENT REV DESC:	UPDATED																																								
P/N'S ADDED, NOTES																																									
DOCUMENT NUMBER	DOC TYPE	DOC PART	REVISION																																						
1300250051	PSD	000	B1																																						
<table border="1"> <tr> <th colspan="2">GENERAL TOLERANCES (UNLESS SPECIFIED)</th> </tr> <tr> <td>ANGULAR TOL</td> <td>± 1.0°</td> </tr> </table>	GENERAL TOLERANCES (UNLESS SPECIFIED)		ANGULAR TOL	± 1.0°	<table border="1"> <tr> <td>EC NO: 695738</td> <td>2022/02/14</td> </tr> <tr> <td>DRWN: RSCHEIBER</td> <td>2022/02/15</td> </tr> <tr> <td>CHK'D: RSILLER</td> <td>2022/02/15</td> </tr> <tr> <td>APPR: RSILLER</td> <td>2022/02/15</td> </tr> </table>		EC NO: 695738	2022/02/14	DRWN: RSCHEIBER	2022/02/15	CHK'D: RSILLER	2022/02/15	APPR: RSILLER	2022/02/15	<table border="1"> <tr> <td>INITIAL REVISION:</td> <td></td> </tr> <tr> <td>DRWN: MKOWALCZYK01</td> <td>2018/09/07</td> </tr> <tr> <td>APPR: MMATLA</td> <td>2018/09/11</td> </tr> </table>	INITIAL REVISION:		DRWN: MKOWALCZYK01	2018/09/07	APPR: MMATLA	2018/09/11																				
GENERAL TOLERANCES (UNLESS SPECIFIED)																																									
ANGULAR TOL	± 1.0°																																								
EC NO: 695738	2022/02/14																																								
DRWN: RSCHEIBER	2022/02/15																																								
CHK'D: RSILLER	2022/02/15																																								
APPR: RSILLER	2022/02/15																																								
INITIAL REVISION:																																									
DRWN: MKOWALCZYK01	2018/09/07																																								
APPR: MMATLA	2018/09/11																																								
<table border="1"> <tr> <th>DIVISIONAL SYMBOLS</th> <th></th> <th></th> </tr> <tr> <td>4 PLACES</td> <td>±</td> <td></td> </tr> <tr> <td>3 PLACES</td> <td>±</td> <td></td> </tr> <tr> <td>2 PLACES</td> <td>±</td> <td>0.05</td> </tr> <tr> <td>1 PLACE</td> <td>±</td> <td>0.3</td> </tr> <tr> <td>0 PLACES</td> <td>±</td> <td>0.5</td> </tr> </table>	DIVISIONAL SYMBOLS			4 PLACES	±		3 PLACES	±		2 PLACES	±	0.05	1 PLACE	±	0.3	0 PLACES	±	0.5	<table border="1"> <tr> <td>THIRD ANGLE PROJECTION</td> <td>DRAWING</td> <td>SERIES</td> <td>MATERIAL NUMBER</td> <td>CUSTOMER</td> <td>SHEET NUMBER</td> </tr> <tr> <td></td> <td></td> <td>A4-SIZE</td> <td>130025</td> <td>SEE PART LIST</td> <td>GENERAL MARKET</td> </tr> </table>	THIRD ANGLE PROJECTION	DRAWING	SERIES	MATERIAL NUMBER	CUSTOMER	SHEET NUMBER			A4-SIZE	130025	SEE PART LIST	GENERAL MARKET	<table border="1"> <tr> <th>DOCUMENT NUMBER</th> <th>DOC TYPE</th> <th>DOC PART</th> <th>REVISION</th> </tr> <tr> <td>1300250051</td> <td>PSD</td> <td>000</td> <td>B1</td> </tr> </table>		DOCUMENT NUMBER	DOC TYPE	DOC PART	REVISION	1300250051	PSD	000	B1
DIVISIONAL SYMBOLS																																									
4 PLACES	±																																								
3 PLACES	±																																								
2 PLACES	±	0.05																																							
1 PLACE	±	0.3																																							
0 PLACES	±	0.5																																							
THIRD ANGLE PROJECTION	DRAWING	SERIES	MATERIAL NUMBER	CUSTOMER	SHEET NUMBER																																				
		A4-SIZE	130025	SEE PART LIST	GENERAL MARKET																																				
DOCUMENT NUMBER	DOC TYPE	DOC PART	REVISION																																						
1300250051	PSD	000	B1																																						
<table border="1"> <tr> <th>DRAFT WHERE APPLICABLE</th> <th>MUST REMAIN</th> <th>WITHIN DIMENSIONS</th> </tr> <tr> <td></td> <td></td> <td></td> </tr> </table>	DRAFT WHERE APPLICABLE	MUST REMAIN	WITHIN DIMENSIONS																																						
DRAFT WHERE APPLICABLE	MUST REMAIN	WITHIN DIMENSIONS																																							

DOCUMENT STATUS	P1	RELEASE DATE	2022/02/15	09:19:21
-----------------	----	--------------	------------	----------