

Product data sheet

Specifications

SQUARE D



SPD - XDSE Type 2 - 240V Delta - 3PH - 3 Wire - 200kA

SSP06XDSE20A

Main

Product Surge protection device

Complementary

Surge Current 200 A per phase

Voltage Rating 240 V delta AC

Number of Phases 3 phases

Wiring Configuration 3-wire (isolated ground)

MCOV 300 V
320 V

Rated Current 20 kA

Voltage Protection Rating 320 V L - G
300 V L - L

Height 5.98 in (152 mm)

Width 5.98 in (152 mm)

Depth 3.98 in (101 mm)

Environment

Enclosure Rating NEMA 4X

Packing Units

Unit Type of Package 1 PCE

Number of Units in Package 1 1

Package 1 Height 5.98 in (15.2 cm)

Package 1 Width 5.98 in (15.2 cm)

Package 1 Length 3.98 in (10.1 cm)

Package 1 Weight 3.98 lb(US) (1.805 kg)

Offer Sustainability

EU RoHS Directive Compliant
[EU RoHS Declaration](#)

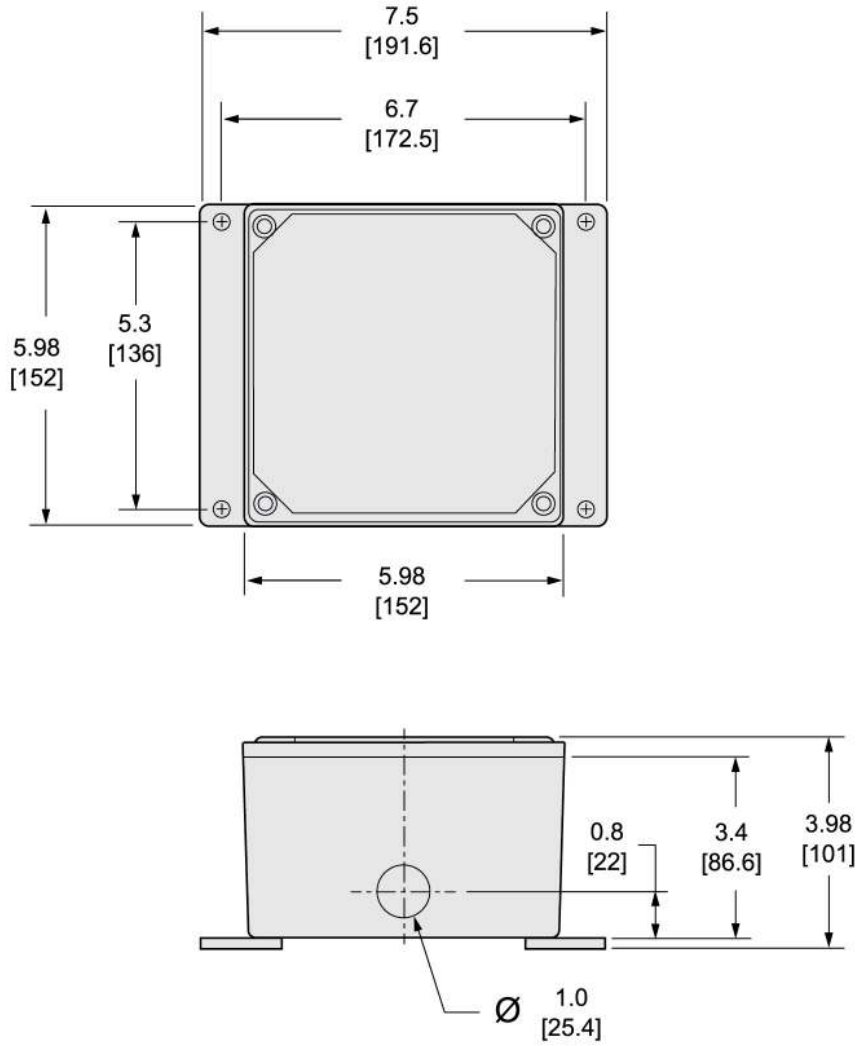
Mercury free Yes

China RoHS Regulation [China RoHS declaration](#)

RoHS exemption information

Yes

Dimensions



TYPE XDSE

ALL DIMENSIONS ARE APPROXIMATE.

REFER TO TECHNICAL DRAWINGS AND DOCUMENTATION FOR COMPLETE INFORMATION.

Recommended replacement(s)