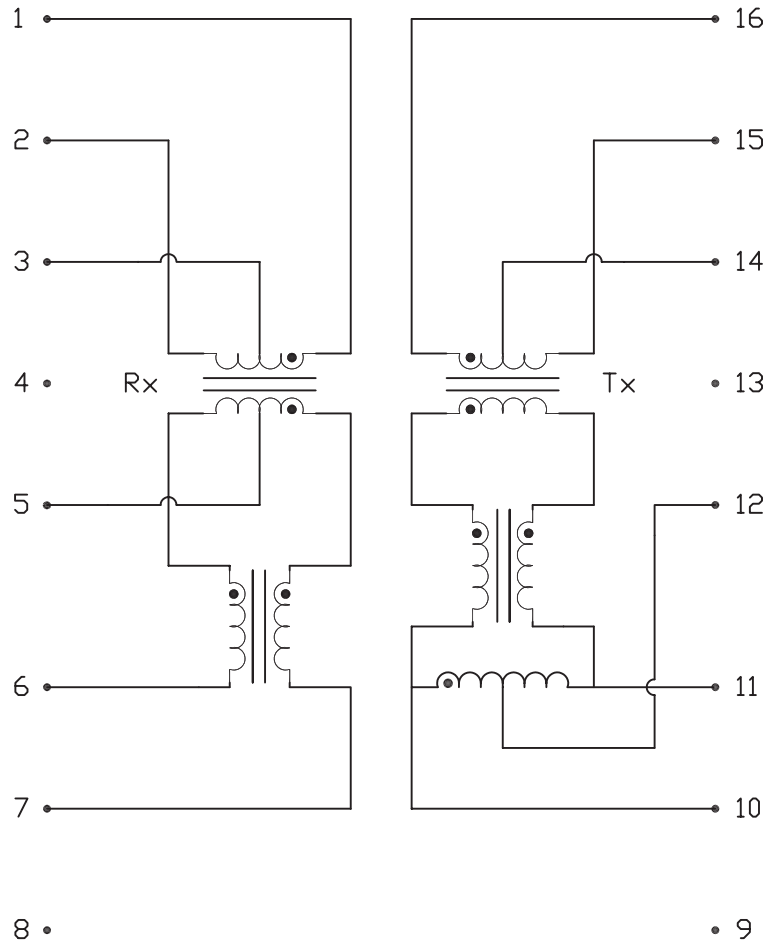


THE INFORMATION CONTAINED HEREIN IS CONSIDERED "PROPRIETARY" TO BEL FUSE INC. AND SHALL NOT BE COPIED, REPRODUCED OR DISCLOSED WITHOUT THE WRITTEN APPROVAL OF BEL FUSE INC.

ELECTRICAL CHARACTERISTICS @25°C



SCHEMATIC



URNS RATIO

Rx (1-3-2) : (7-5-6)  
Tx (16-14-15) : (10-12-11)

1CT : 1CT  
1CT : 1.414CT

POLARITY

PER DOT CONVENTION

DCL

( 6-7 ) ; (10-11)

350uH MIN @100kHz 100mV  
WITH 8mA DC BIAS

INSERTION LOSS

1.2dB MAX AT 100kHz TO 100MHZ

RETURN LOSS

MEASURED UNDER 100Ω  
±15% ENVIRONMENT

FREQ (MHz)	1	10	30	60	80	100
dB MIN	20	20	18	14	13	10

CMDR

1MHz  
10MHz  
50MHz  
100MHz  
200MHz

65dB MIN  
50dB MIN  
35dB MIN  
25dB MIN  
20dB MIN

CROSSTALK

30dB MIN AT 100kHz TO 100MHZ

COMMON TO COMMON MODE

1MHz  
10MHz-50MHz  
100MHz-200MHz

50dB MIN  
30dB MIN  
20dB MIN

HIPOT

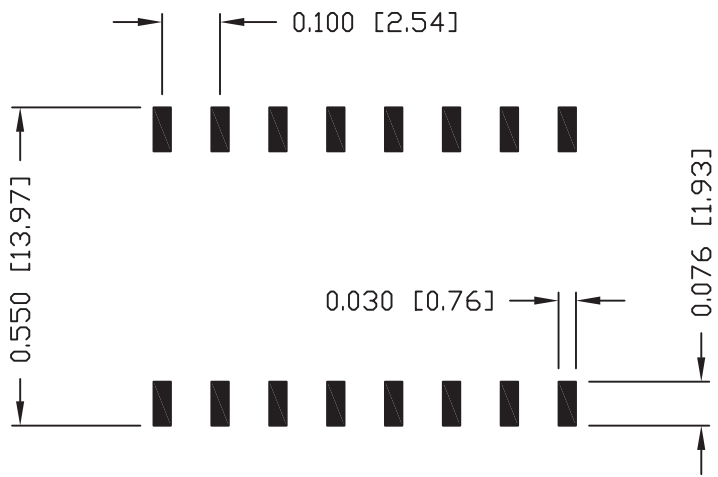
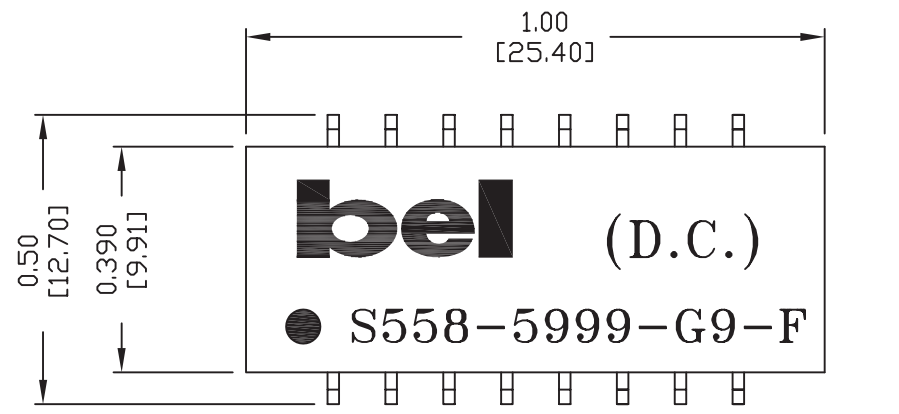
PER HAND-WORK-03

ORIGINATED BY	DATE	TITLE	PART NO. / DRAWING NO.	STANDARD DIM. TOL. IN INCH	[ ] METRIC DIM. AS REFERENCE
CH CHAN	09-10-09	ELECTRICAL SPECIFICATION S558-5999-G9-F	X5585999G9-F	.X	UNIT : INCH [mm] REV. : B
DRAWN BY	DATE		FILE NAME	.XX	SCALE : N/A SIZE : A4
XJ WANG	09-10-09		X5585999G9FB.DWG	.XXX	SCALE : N/A SIZE : A4 PAGE : 2

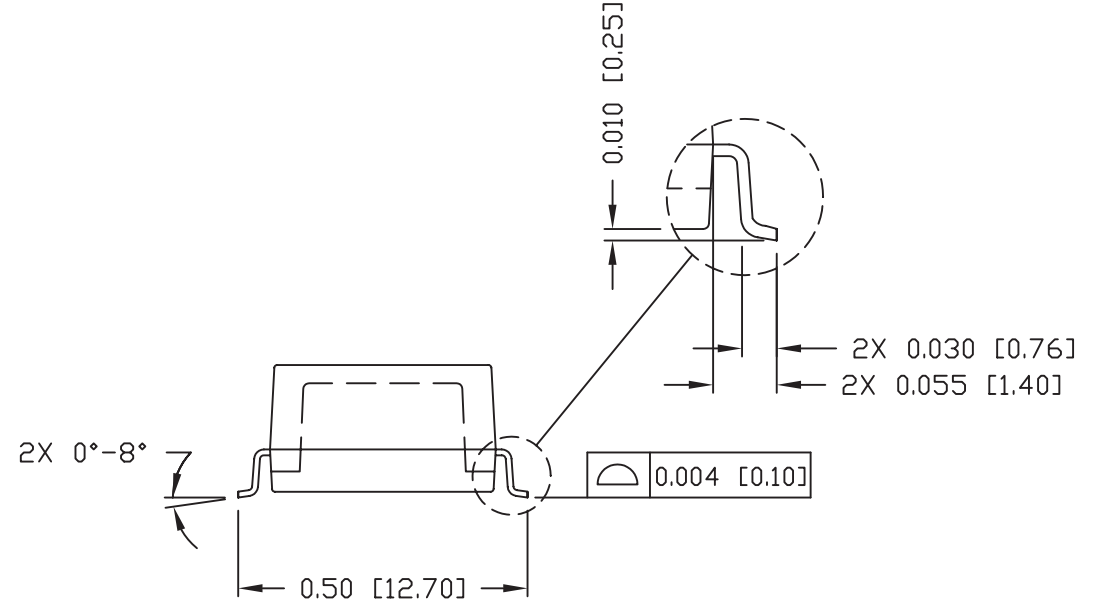
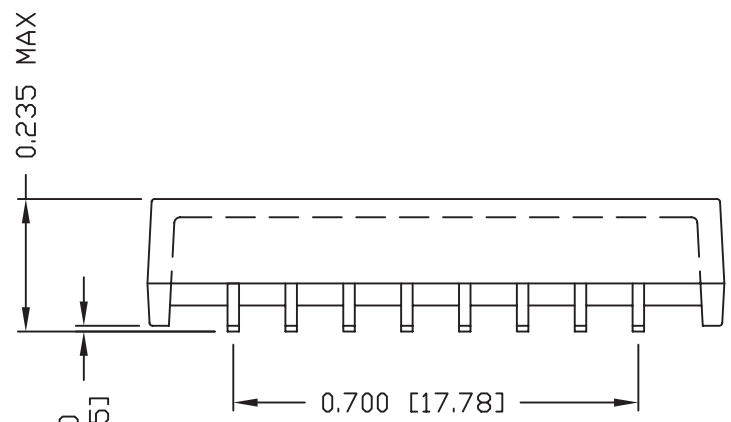


THE INFORMATION CONTAINED HEREIN IS CONSIDERED "PROPRIETARY" TO BEL FUSE INC. AND SHALL NOT BE COPIED, REPRODUCED OR DISCLOSED WITHOUT THE WRITTEN APPROVAL OF BEL FUSE INC.

SUGGESTED PCB PAD LAYOUT



0.020±0.002 [0.51±0.05] 0.10 [2.54] TYP.



NOTES:

- STANDARD MARKING REFER TO DOC. HAND-WORK-04.
- PACKAGE CODE: "RNS001".

ORIGINATED BY	DATE	TITLE	PART NO. / DRAWING NO.	STANDARD DIM. TOL. IN INCH	[ ] METRIC DIM. AS REFERENCE	 COMPONENTS FOR A CONNECTED PLANET	
CH CHAN	09-10-09	MECHANICAL DRAWING S558-5999-G9-F	X5585999G9-F	.X	UNIT : INCH [mm]		
DRAWN BY	DATE		FILE NAME	.XX	SCALE : N/A		
XJ WANG	09-10-09		X5585999G9FB.DWG	.XXX	±0.01		REV. : B
					±0.005		SIZE : A4
						PAGE : 3	