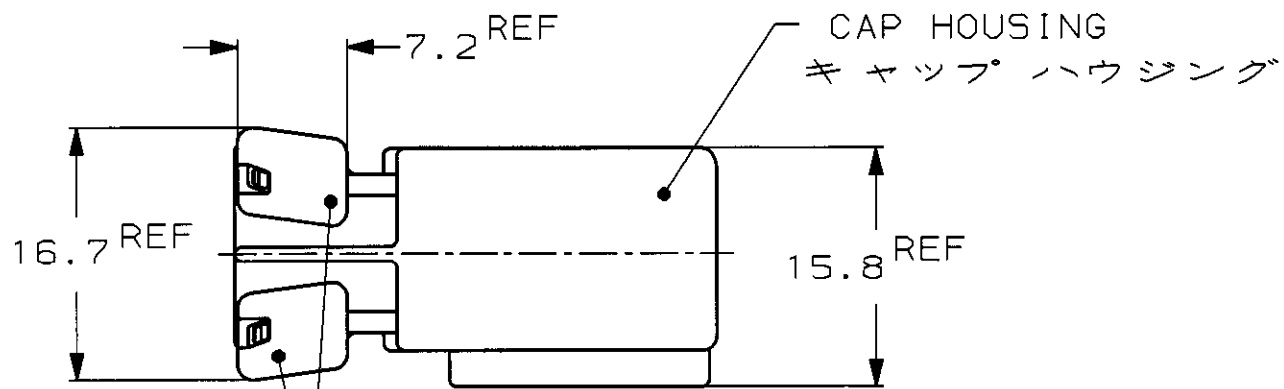
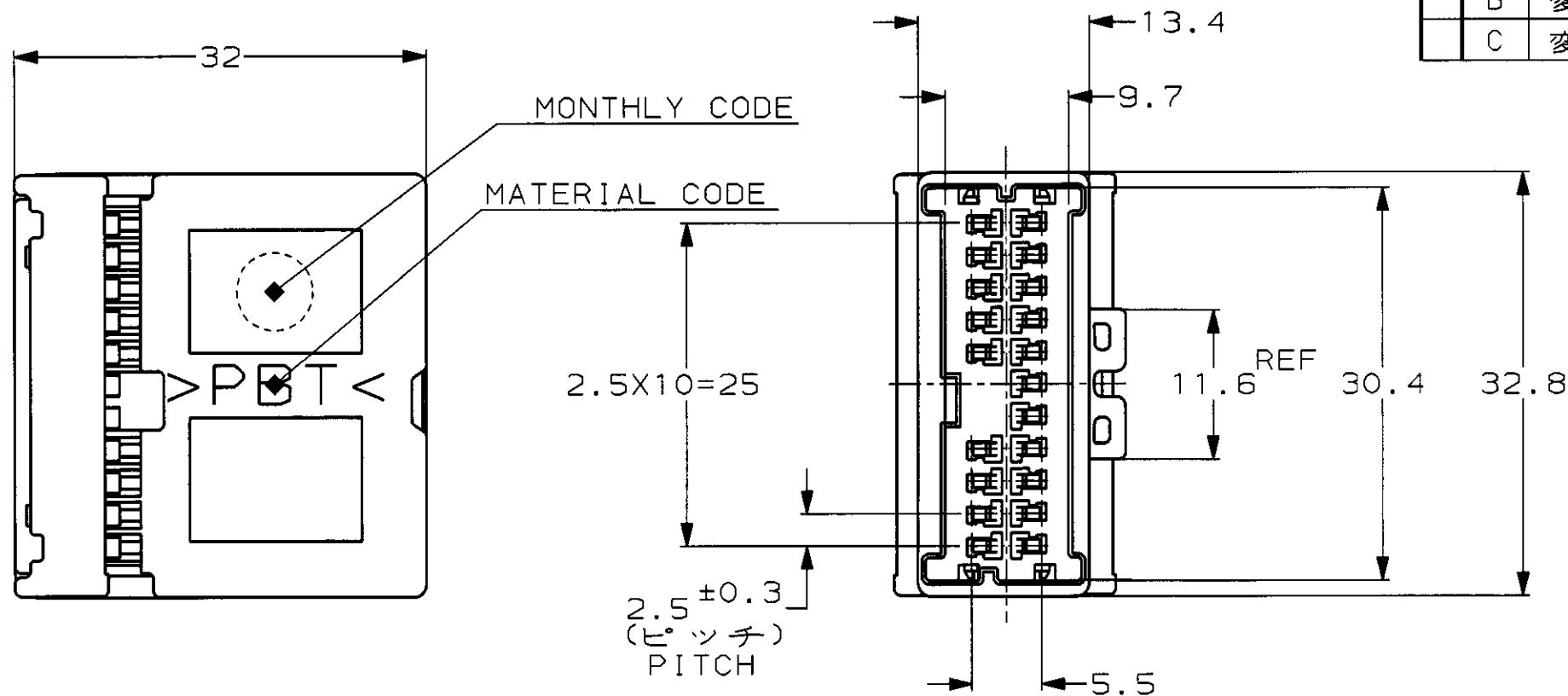
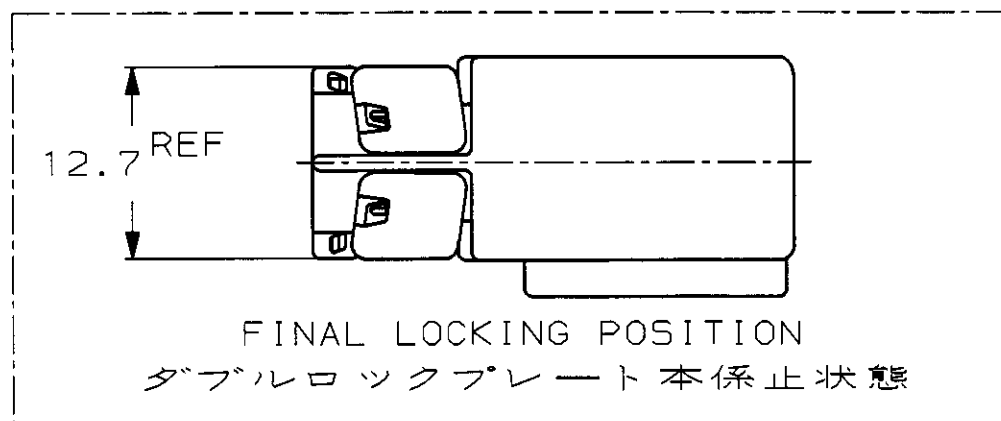


P	LTR	DESCRIPTION	ECN	DATE	DWN	APVD
A		再作成 REDRAWN	FJ00-0506-98	10APR98	TM	MT
B		変更 REVISED	FJ00-1797-99	29OCT99	KS	MT
C		変更 REVISED	FJ00-2112-99	08DEC99	KS	MT



DOUBLE LOCK PLATE (NATURAL)  
ダブルロックプレート (自然色)



1123383-3	353537-1 353537-2 (Au)	茶色 (BROWN)	1123360-3
嵌合相手ハウジング型番 MATING HOUSING PART NUMBER	適用端子型番 APPLICABLE CONTACT PART NUMBER	色 (COLOR)	型番 PART NUMBER
<small>THIS DRAWING IS A CONTROLLED DOCUMENT FOR AMP INCORPORATED. IT IS SUBJECT TO CHANGE AND THE CONTROLLING ENGINEERING ORGANIZATION SHOULD BE CONTACTED FOR THE LATEST REVISION.</small>		08APR98 T. MINEMATSU 08APR98 E. SASAKI 10APR98 M. TSUKAKOSHI	
DIMENSIONS, 単位: 概 mm		TOLERANCES UNLESS OTHERWISE SPECIFIED 一般公差 10% : ±0.2 30% : ±0.25 100% : ±0.3 ANGLE : ±0.3°	
MATERIAL 材料 PBT		FINISH 仕上	
APVD M. TSUKAKOSHI		NAME 040III MULTILOCK CONNECTOR 20POSITION CAP HOUSING ASSEMBLY (WIRE TO WIRE) 040III マルチロック コネクタ 20極 キャップハウジング アッセンブリ (対電線用)	
PRODUCT SPEC 製品規格 108-5607		APPLICATION SPEC 取付適用規格 114-5228	
WEIGHT 8.1g		SIZE CAGE CODE DRAWING NO A3 00779 C- 1123360	
CUSTOMER DRAWING		RESTRICTED TO SCALE 2:1 SHEET 1 OF 1 REV C	

/kec/automotive/en32\_automotive/u.099-0168/proposal/s.c-1123360