

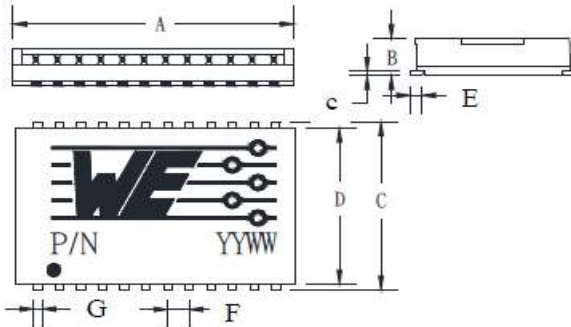
# Spezifikation für Freigabe / specification for release

Kunde / customer :  
 Artikelnummer / part number : **749020111A**  
 Bezeichnung : **LAN-Übertrager WE-LAN**  
 description : **LAN-Transformer WE-LAN**



DATUM / DATE : 2016-02-16

## A Mechanische Abmessungen / dimensions :



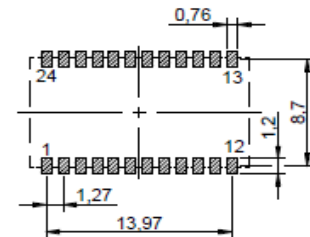
|   | 1000 BaseT   |    |
|---|--------------|----|
| A | 16,50 ± 0,25 | mm |
| B | 2,35 Max     | mm |
| C | 9,70 ± 0,25  | mm |
| D | 9,00 ± 0,25  | mm |
| E | 0,80 ± 0,20  |    |
| F | 1,27 ± 0,15  |    |
| G | 0,50 ± 0,15  |    |
| c | 0,25 ± 0,10  |    |
|   |              |    |
|   |              |    |
|   |              |    |

● = Pin 1

## B Elektrische Eigenschaften / electrical properties :

| Eigenschaften / properties            | Testbedingungen / test conditions |      | Wert / value | Einheit / unit | tol. |
|---------------------------------------|-----------------------------------|------|--------------|----------------|------|
| Induktivität / Inductance             | 100kHz / 100mV @ 8mA DC-Bias      | OCL  | 350          | µH             | min. |
| Übersetzungsverhältnis / Turns ratio  | 100kHz / 100mV                    | TR   | 1 : 1        | Tx             | 5%   |
|                                       |                                   |      | 1 : 1        | Rx             |      |
| Insertion Loss                        | 1-100MHz                          | IL   | -1,0         | dB             | max. |
| Return Loss                           | 1-30MHz @ 100Ω                    | RL   | -18          | dB             | min. |
|                                       | 40MHz @ 100Ω                      |      | -14          |                |      |
|                                       | 50MHz @ 100Ω                      |      | -13          |                |      |
|                                       | 60-80MHz @ 100Ω                   |      | -12          |                |      |
|                                       | 80-100MHz @ 100Ω                  |      | -10          |                |      |
| Differential to Common Mode Rejection | 1MHz-60MHz                        | DCMR | -35          | dB             | min. |
|                                       | 60MHz                             |      | -35          |                |      |
|                                       | 100MHz                            |      | -30          |                |      |
| Crosstalk                             | 100MHz                            | CT   | -33          | dB             | min. |

## C Lötpad / soldering spec. :



## D Prüfgeräte / test equipment :

HP4395A

## E Testbedingungen / test conditions :

Luftfeuchtigkeit / humidity: 33%  
 Umgebungstemperatur / temperature: +25°C

## F Werkstoffe & Zulassungen / material & approvals :

Basismaterial / base material: Ferrit/ ferrite  
 Draht / wire: 0UEW QPN200  
 Kontaktmaterial/ contact plating: Cu-Ni-Sn  
 Gehäuse / case: UL94-V0  
 Verguss / potting: UL94-V0

## G Eigenschaften / general specifications :

Betriebstemp. / operating temperature: 0°C - + 70°C  
 Hochspannungsprüfung / Hipot test: 1500Vrms 1min.  
 Geeignet für 1000BaseT-Anwendungen gemäß IEEE 802.3ab /  
 Compliant with IEEE 802.3ab for 1000BaseT

|                                     |                          |                         |              |
|-------------------------------------|--------------------------|-------------------------|--------------|
| Freigabe erteilt / general release: | Kunde / customer         |                         |              |
|                                     |                          |                         |              |
| Datum / date                        | Unterschrift / signature |                         |              |
|                                     | Würth Elektronik         |                         |              |
| Geprüft / checked                   | JaB                      | Version 03              | 2016-02-16   |
|                                     | JaB                      | Version 02              | 2015-05-15   |
|                                     | Mle                      | Version 01              | 2013-08-05   |
|                                     | Name                     | Änderung / modification | Datum / date |

### Würth Elektronik eiSos GmbH & Co.KG

D-74638 Waldenburg · Max-Eyth-Straße 1 - 3 · Germany · Telefon (+49) (0) 7942 - 945 - 0 · Telefax (+49) (0) 7942 - 945 - 400  
<http://www.we-online.com>

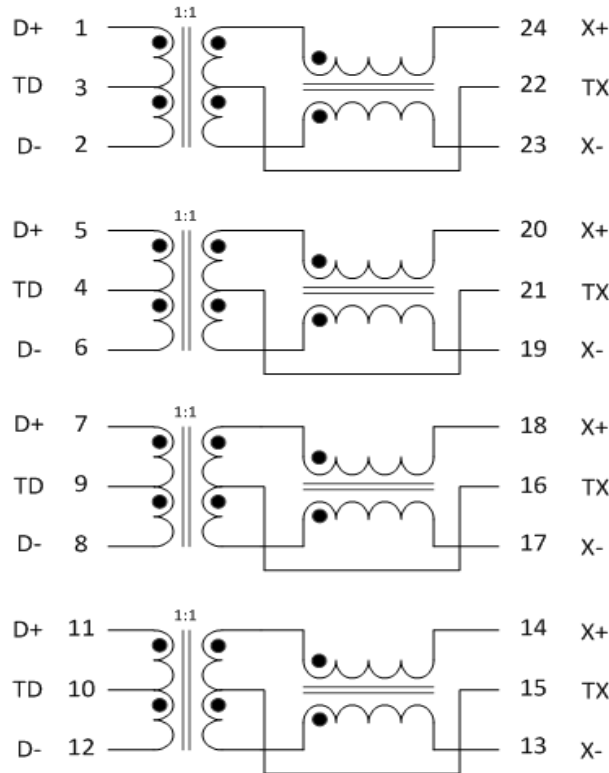
# Spezifikation für Freigabe / specification for release

Kunde / customer :  
 Artikelnummer / part number : **749020111A**  
 Bezeichnung : **LAN-Übertrager WE-LAN**  
 description : **LAN-Transformer WE-LAN**



**DATUM / DATE : 2016-02-16**

## H Schaltbild / Schematics :



|                                     |                          |      |                         |              |
|-------------------------------------|--------------------------|------|-------------------------|--------------|
| Freigabe erteilt / general release: | <b>Kunde / customer</b>  |      |                         |              |
| Datum / date                        | Unterschrift / signature |      |                         |              |
|                                     | <b>Würth Elektronik</b>  | JaB  | Version 03              | 2016-02-16   |
|                                     |                          | JaB  | Version 02              | 2015-05-15   |
| Geprüft / checked                   | Kontrolliert / approved  | Mle  | Version 01              | 2013-08-05   |
|                                     |                          | Name | Änderung / modification | Datum / date |

### Würth Elektronik eiSos GmbH & Co.KG

D-74638 Waldenburg · Max-Eyth-Straße 1 - 3 · Germany · Telefon (+49) (0) 7942 - 945 - 0 · Telefax (+49) (0) 7942 - 945 - 400  
<http://www.we-online.com>

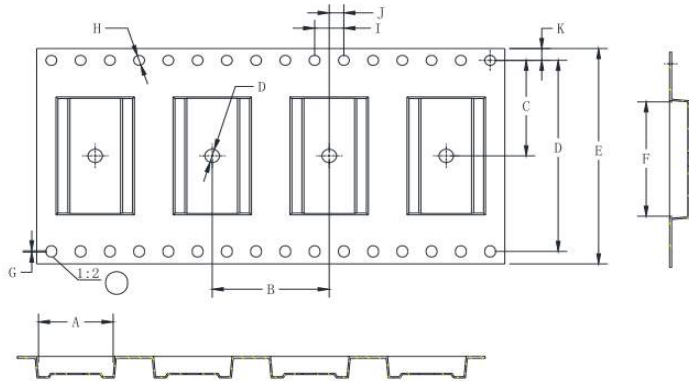
# Spezifikation für Freigabe / specification for release

Kunde / customer :  
 Artikelnummer / part number : **749020111A**  
 Bezeichnung : **LAN-Übertrager WE-LAN**  
 description : **LAN-Transformer WE-LAN**



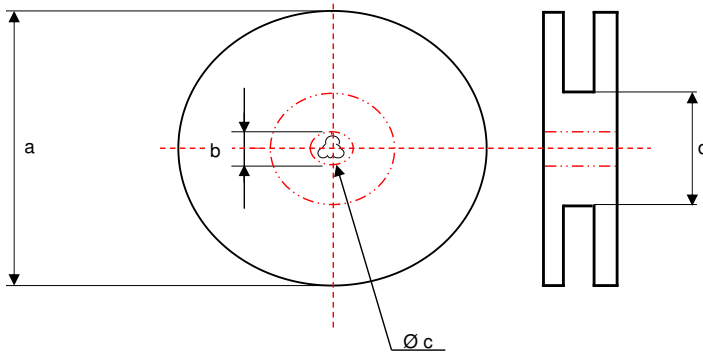
DATUM / DATE : 2016-02-16

## I Rollenspezifikation / tape and reel specification :



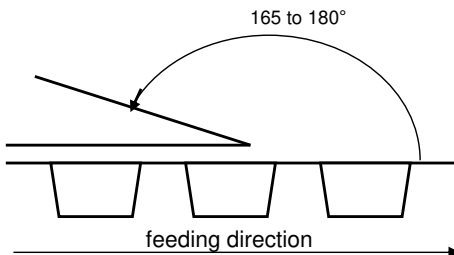
### Gurtspezifikation / Tape specification:

|   |              |    |
|---|--------------|----|
| A | 10,20 ± 0,10 | mm |
| B | 16,00 ± 0,10 | mm |
| C | 14,20 ± 0,10 | mm |
| D | 28,40 ± 0,10 | mm |
| E | 32,00 ± 0,10 | mm |
| F | 17,00 ± 0,10 | mm |
| G | 0,20 ± 0,05  | mm |
| H | 1,50 ± 0,10  | mm |
| I | 4,00 ± 0,10  | mm |
| J | 2,00 ± 0,10  | mm |
| L | 1,75 ± 0,10  | mm |



### Rollenspezifikation / Reel specification:

|   |             |    |
|---|-------------|----|
| a | 330,0 ± 2,0 | mm |
| b | 21,00 ± 0,8 | mm |
| c | 13,60 ± 0,5 | mm |
| d | 100,0 ± 1,0 | mm |



The force for tearing off cover tape is 10 to 120 grams in arrow direction

|                                     |                          |      |                         |              |
|-------------------------------------|--------------------------|------|-------------------------|--------------|
| Freigabe erteilt / general release: | <b>Kunde / customer</b>  |      |                         |              |
| .....                               | .....                    |      |                         |              |
| Datum / date                        | Unterschrift / signature |      |                         |              |
| .....                               | <b>Würth Elektronik</b>  | JaB  | Version 03              | 2016-02-16   |
| .....                               | .....                    | JaB  | Version 02              | 2015-05-15   |
| .....                               | .....                    | Mle  | Version 01              | 2013-08-05   |
| Geprüft / checked                   | Kontrolliert / approved  | Name | Änderung / modification | Datum / date |

This electronic component has been designed and developed for usage in general electronic equipment. Before incorporating this component into any equipment where higher safety and reliability is especially required or if there is the possibility of direct damage or injury to human body, for example in the range of aerospace, aviation, nuclear control, submarine, transportation, (automotive control, train control, ship control), transportation signal, disaster prevention, medical, public information network etc, Würth Elektronik eiSos GmbH must be informed before the design-in stage. In addition, sufficient reliability evaluation checks for safety must be performed on every electronic component which is used in electrical circuits that require high safety and reliability functions or performance.

## Würth Elektronik eiSos GmbH & Co.KG

D-74638 Waldenburg · Max-Eyth-Straße 1 - 3 · Germany · Telefon (+49) (0) 7942 - 945 - 0 · Telefax (+49) (0) 7942 - 945 - 400  
<http://www.we-online.com>