

4

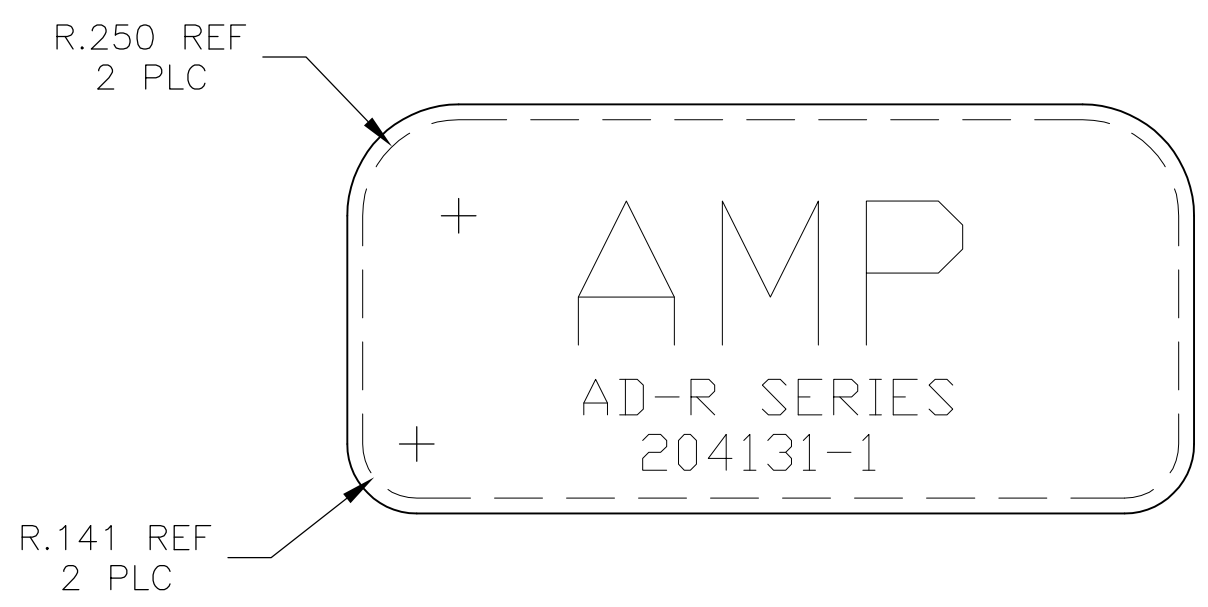
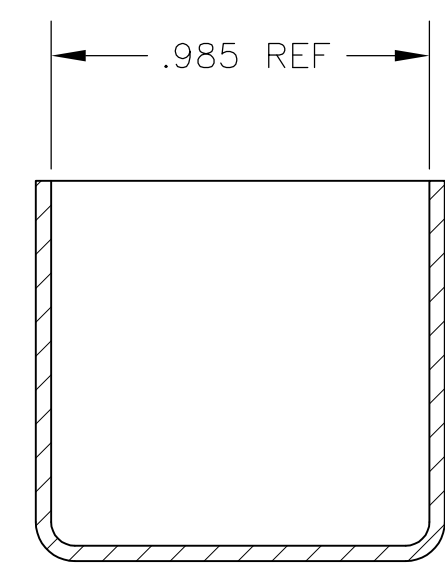
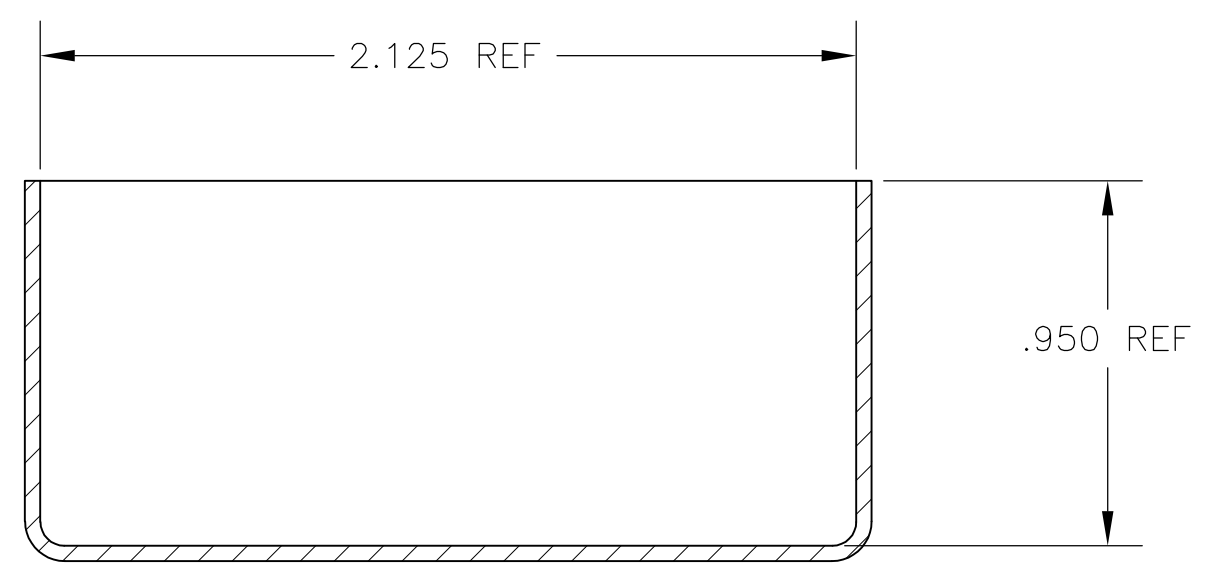
3

2

1


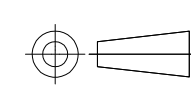
THIS DRAWING IS UNPUBLISHED. RELEASED FOR PUBLICATION
 © COPYRIGHT - By - ALL RIGHTS RESERVED.

LOC		DIST		REVISIONS			
P	LTR	DESCRIPTION		DATE	DWN	APVD	
	C	REV PER ECO-11-014575		02AUG11	PY	DE	



1 MATERIAL: 35 MIL PVC

AS SHOWN, FORMED	204131-1
DESCRIPTION	PART NO.

THIS DRAWING IS A CONTROLLED DOCUMENT.		DWN	P. YEAGER 12OCT2007		 TE Connectivity
DIMENSIONS: INCHES		CHK	D. EABY 12OCT07		
		APVD	D. EABY 12OCT07		
TOLERANCES UNLESS OTHERWISE SPECIFIED: 0 PLC ± - 1 PLC ± - 2 PLC ± .01 3 PLC ± .005 4 PLC ± - ANGLES ± ?d		PRODUCT SPEC	NAME		
MATERIAL	1	FINISH	-		DUST CAP, RECEPTACLE AD SERIES
-		-		APPLICATION SPEC	RESTRICTED TO
-		-		WEIGHT	-
-		-		SIZE	A3
-		-		CAGE CODE	00779
-		-		DRAWING NO	C-204131
-		-		SCALE	2:1
-		-		SHEET	1 OF 1
-		-		REV	C