

100/1000 Base T Gigabit PoE Plus

AGSC-2417PI



- PoE Plus With 720mA Current Capability
- Compliant to IEEE802.3at / ANSI X3.263
- Industrial Temperature Rating: -40°C to +85°C

Electrical Specifications @ 25°C

OCL(uH Min) @ 100kHz, 200mV With 8mA DC Bias	Turns Ratio chip: cable (±5%)	Insertion Loss (dB Max)	Return Loss (dB Min)			
			0.3-100MHz	0.3-30MHz	40MHz	50MHz
350	1CT:1CT	-1.1	-18	-14.4	-13.1	-12

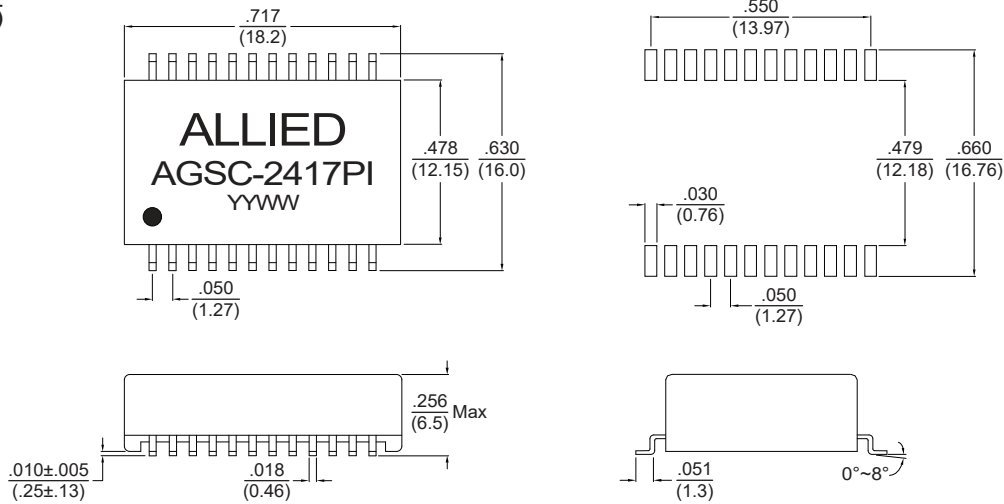
Electrical Specifications @ 25°C

Common Mode Rejection (dB Min)			Cross Talk (dB Min)		Isolation Hi-Pot (Vrms)
30MHz	60MHz	80-100MHz	0.3-60MHz	60-100MHz	
-40	-35	-30	-35	-32	1500

All specifications subject to change without notice.

MECHANICAL

Dimensions: $\frac{\text{inch}}{\text{mm}}$



Unless otherwise specified, all tolerances are ±.010(0.25)

SCHEMATICS

