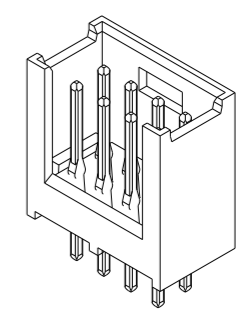
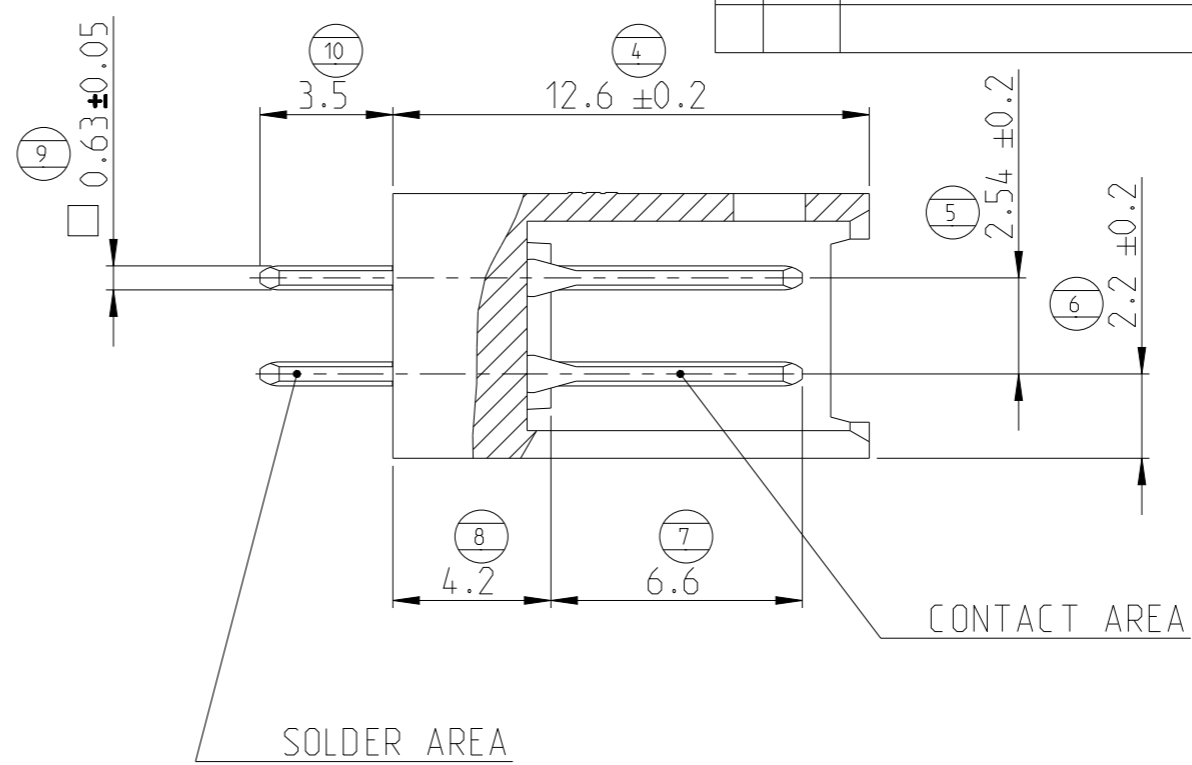
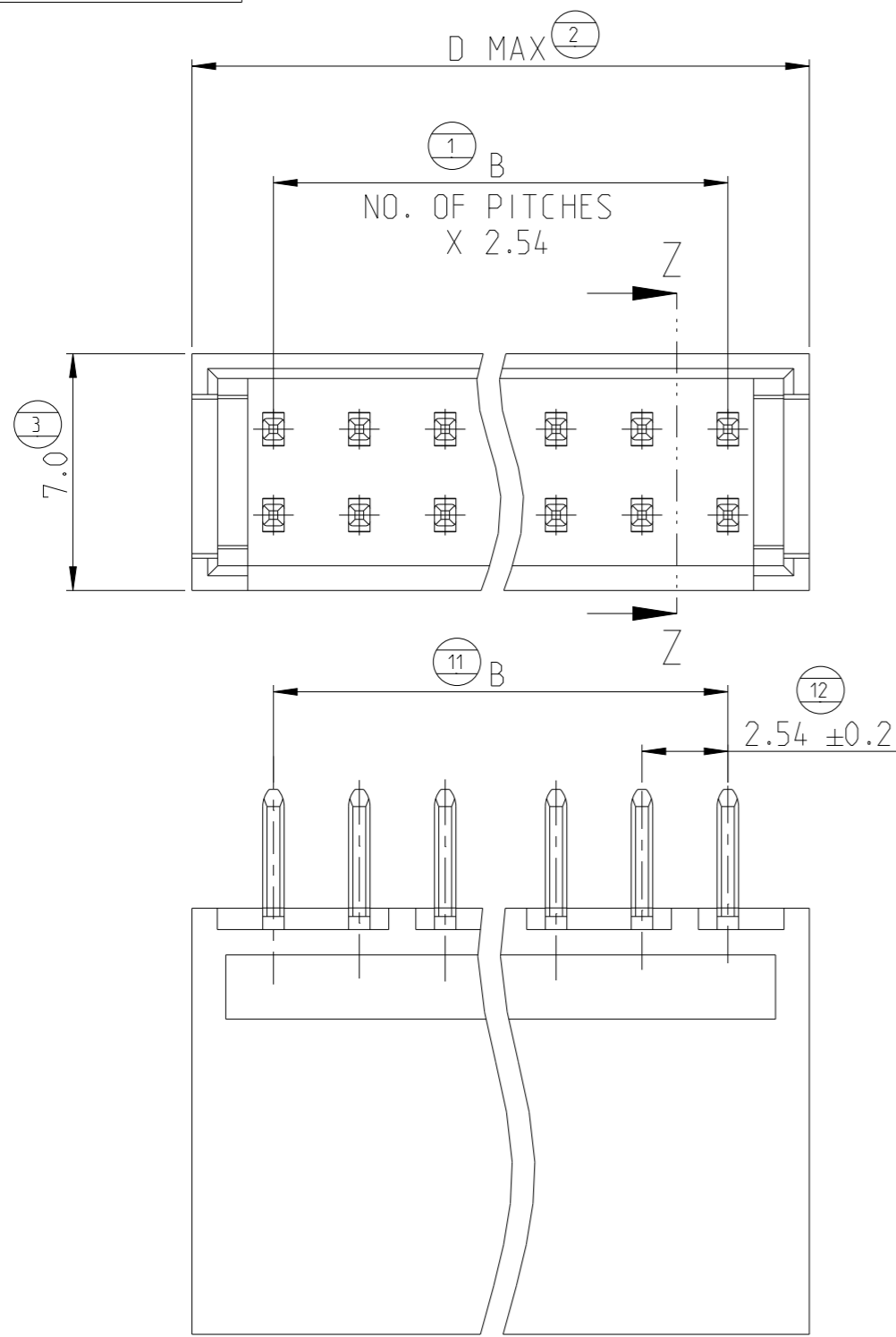


P	LTR	DESCRIPTION	DATE	DWN	APVD
	U	REDRAWN, RESIN SUPPLIER CHANGED	04JUN2021	SB	KJK



2:1

PARTIAL SEC. Z-Z

58.5	53.34	<del>280388-3</del> 5	280388-2	280388-1	22
48.3	43.18	<del>281019-3</del> 5	281019-2	<del>281019-1</del> 5	18
40.7	35.56	280387-3	280387-2	280387-1	15
33.1	27.94	<del>280521-3</del> 5	280521-2	280521-1	12
25.4	20.32	<del>280509-3</del> 5	280509-2	280509-1	9
22.9	17.78	280385-3	280385-2	280385-1	8
12.7	7.62	<del>280384-3</del> 5	280384-2	280384-1	4
D	B	3 PART NUMBER	2 PART NUMBER	1 PART NUMBER	NO. POS.

NOTES:

- 1 FINISH: 3-5 μm TIN OVER MIN 1.27 μm NICKEL
- 2 FINISH: DUPLEX PLATED MIN. 0.38 μm GOLD IN CONTACT AREA AND 2.5 μm TIN IN SOLDER AREA, OVER MIN. 1.27 μm NICKEL.
- 3 FINISH: DUPLEX PLATED MIN. 0.76 μm GOLD IN CONTACT AREA AND 2.5 μm TIN IN SOLDER AREA, OVER MIN. 1.27 μm NICKEL.
- 4 MATERIALS:  
-HOUSINGS: FLAME RETARDANT THERMOPLASTIC, UL94V0, COLOR BLACK.  
-TIN AND GOLD PLATED CONTACTS: BRASS
- 5 PN OBSOLETE

THIS DRAWING IS A CONTROLLED DOCUMENT.		DWN G. CAMPIA 12FEB1990	TE Connectivity	
DIMENSIONS: mm		CHK -		
TOLERANCES UNLESS OTHERWISE SPECIFIED: ±0.3		APVD -	NAME AMPMODU II SHROUDED HEADER DUAL ROW, STRAIGHT POST	
		PRODUCT SPEC 108-20025	APPLICATION SPEC -	
MATERIAL 4		WEIGHT -	SIZE A3	CAGE CODE 00779
		CUSTOMER DRAWING	DRAWING NO C=280384	RESTRICTED TO
			SCALE 5:1	SHEET 1 OF 1
				REV U