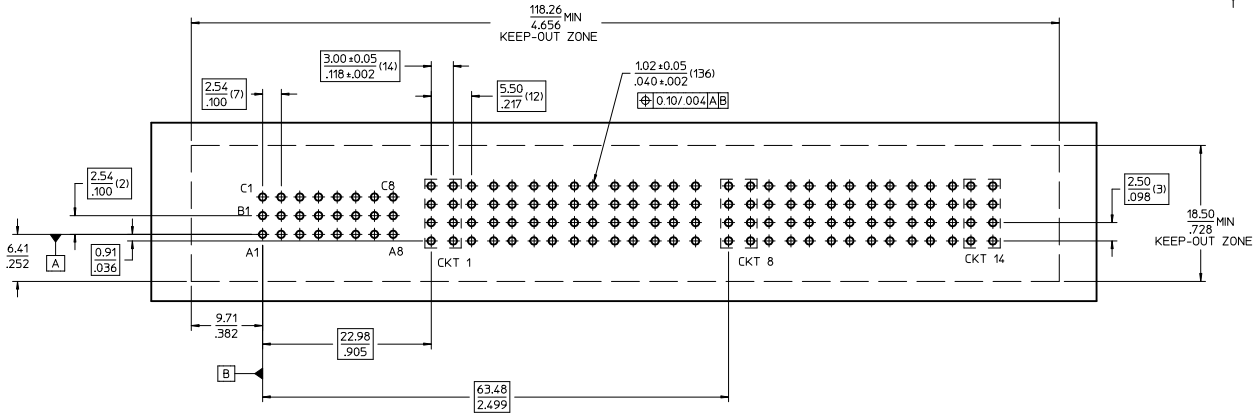
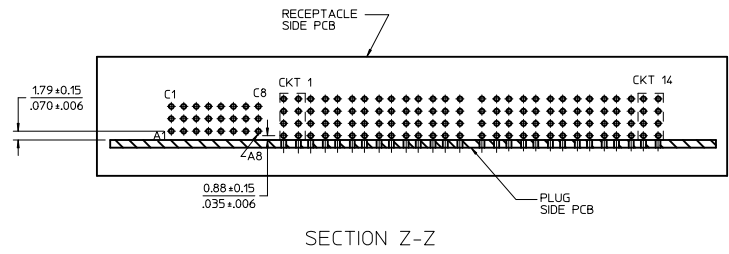
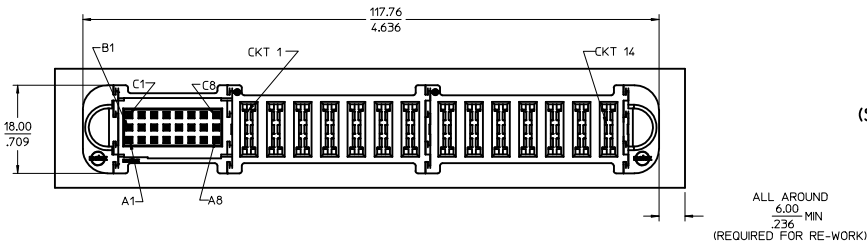
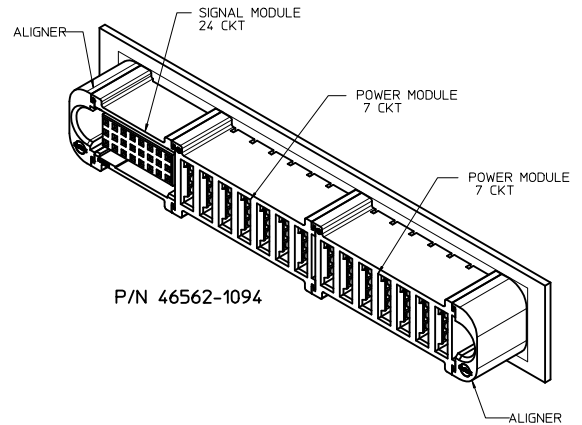


MATED PROFILE
(SHOWN MATED TO VERTICAL RECEPTACLE ASSY)

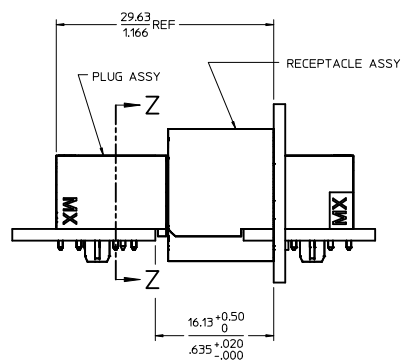
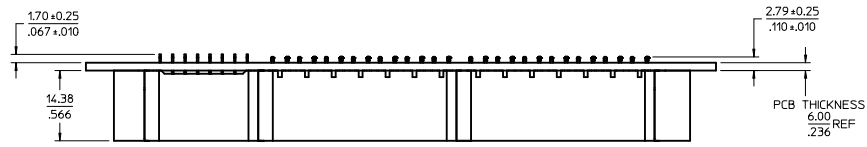


RECOMMENDED PCB LAYOUT
AND KEEP-OUT ZONE

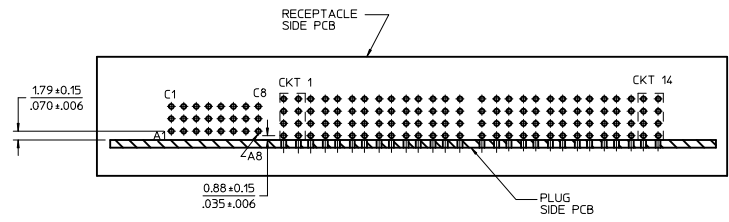
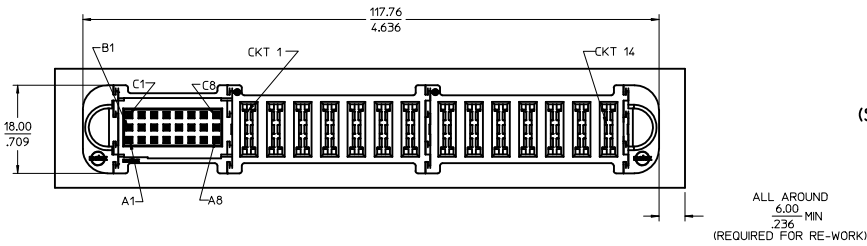
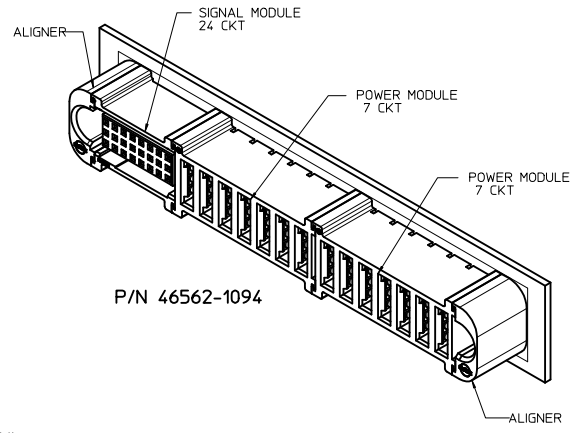
- NOTES:
- MATERIAL:
 - HOUSINGS: LCP UL-94, V-0, COLOR: BLACK
 - TERMINALS: COPPER ALLOY
 - PLATING: .00127 NICKEL OVERALL WITH 0.00254 SELECTIVE TIN ON COMPLIANT PINS. AND 0.000762 SELECTIVE GOLD ON CONTACT AREA.
 - PACKAGING: ASSEMBLIES TO BE TRAY PACKED, QTY TBD.
 - PRODUCT SPEC: PS-46436-100.
 - APPLICATION SPEC: AS-46436-100.
 - PC BOARD REQUIRES THRU HOLES, REFER TO PS-46436-100 FOR DETAILS.
 - SEE PRODUCT SPEC FOR RoHS REQUIREMENTS.
 - ASSEMBLY MATES TO MOLEX PLUG ASSEMBLY P/N: 46437-1094.

RELEASED IEC NO: UICP2010-2173 DRAWN BY: MKARADIMAS 2009/10/06 CHECKED BY: CHYKROSTIC 2010/03/09 APPROVED BY: APPR:APATEL 2010/03/31	QUALITY SYMBOLS	GENERAL TOLERANCES (UNLESS SPECIFIED)	DIMENSION STYLE	SCALE	DESIGN UNITS	THIRD ANGLE PROJECTION
	▽=0	mm INCH	MM/IN	2:1	METRIC	☉
	▽=0	4 PLACES ± --- ± ---	DRAWN BY DATE			
	▽=0	3 PLACES ± --- ± .010	MKARADIMAS 2009/10/06			
		2 PLACES ± 0.25 ± .010	CHECKED BY DATE			
		1 PLACE ± 0.25 ± ---	BKOSTIC 2009/10/06			
		ANGULAR ±1/2°	APPROVED BY DATE			
			JCOMERCI 2010/03/01			
		DRAFT WHERE APPLICABLE MUST REMAIN WITHIN DIMENSIONS	MATERIAL NO.	DOCUMENT NO.		
			46562-1094	SD-46562-1094		
			MOLEX INCORPORATED			
			MOLEX INCORPORATED			
			SHEET NO.			
			1 OF 1			

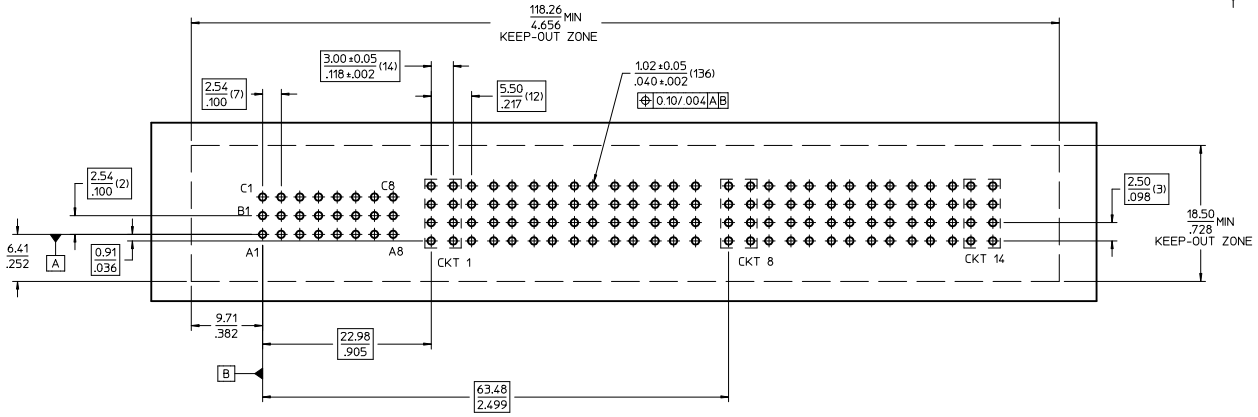
VERT. RECEPTACLE ASSY
7PWR-7PWR 24 SIGNAL CKT
PRESS-FIT, TEN60 FAMILY



MATED PROFILE
(SHOWN MATED TO VERTICAL RECEPTACLE ASSY)



SECTION Z-Z



RECOMMENDED PCB LAYOUT
AND KEEP-OUT ZONE

NOTES:

- MATERIAL:
-HOUSINGS: LCP UL-94, V-0, COLOR: BLACK
-TERMINALS: COPPER ALLOY
-PLATING: .00127 NICKEL OVERALL WITH 0.00254 SELECTIVE TIN ON COMPLIANT PINS.
AND 0.000762 SELECTIVE GOLD ON CONTACT AREA.
- PACKAGING: ASSEMBLIES TO BE TRAY PACKED, QTY TBD.
- PRODUCT SPEC: PS-46436-100.
- APPLICATION SPEC: AS-46436-100.
- PC BOARD REQUIRES THRU HOLES, REFER TO PS-46436-100 FOR DETAILS.
- SEE PRODUCT SPEC FOR RoHS REQUIREMENTS.
- ASSEMBLY MATES TO MOLEX PLUG ASSEMBLY P/N: 46437-1094.

RELEASED IEC NO: UICP2010-2173 DRAWN: MKARADIMAS 2009/10/06 CHECKED: BKOSTIC 2010/03/09 APPROVED: APATEL 2010/03/31	QUALITY SYMBOLS	GENERAL TOLERANCES (UNLESS SPECIFIED)	DIMENSION STYLE	SCALE	DESIGN UNITS	THIRD ANGLE PROJECTION
	∇=0 ∇=0 ∇=0	mm INCH 4 PLACES ± --- ± --- 3 PLACES ± --- ± .010 2 PLACES ± 0.25 ± .010 1 PLACE ± 0.25 ± --- ANGULAR ± 1/2°	MM/MIN DRAWN BY DATE MKARADIMAS 2009/10/06 CHECKED BY DATE BKOSTIC 2009/10/06 APPROVED BY DATE JCOMERCI 2010/03/01	2:1	METRIC	TITLE VERT. RECEPTACLE ASSY 7PWR-7PWR 24 SIGNAL CKT PRESS-FIT, TEN60 FAMILY
	DRAFT WHERE APPLICABLE MUST REMAIN WITHIN DIMENSIONS	MATERIAL NO. 46562-1094	MOLEX INCORPORATED	DOCUMENT NO. SD-46562-1094	SHEET NO. 1 OF 1	