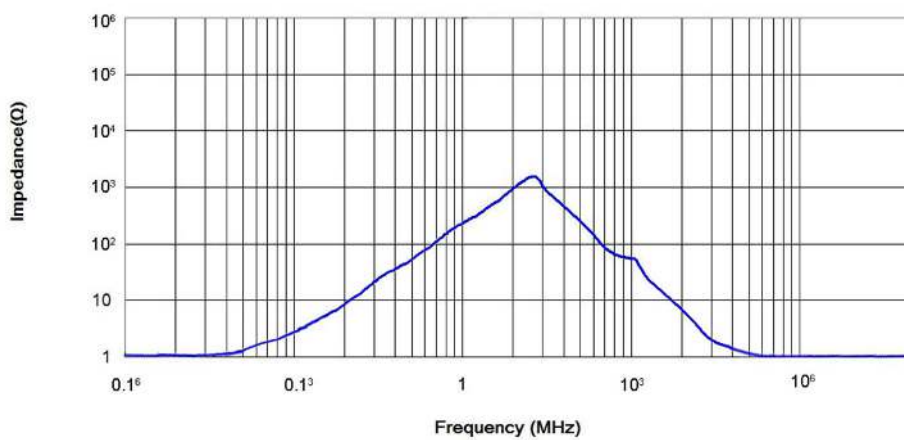


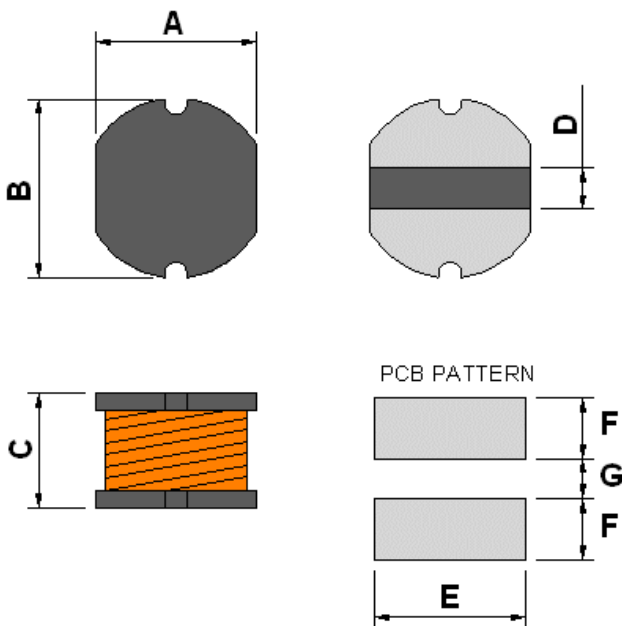
|                              |                                            |
|------------------------------|--------------------------------------------|
| <b>Order Code</b>            | <b>TCK-155</b>                             |
| <b>Inductance</b>            | 39 $\mu$ H $\pm$ 10% (at 100 kHz / 250 mV) |
| <b>Impedance (DCR)</b>       | 1000 m $\Omega$ max.                       |
| <b>Rated Current</b>         | 0.5 A max.                                 |
| <b>Operating Temperature</b> | -40°C to +125°C                            |
| <b>RoHS Exemptions</b>       | No Exemptions                              |



### Impedance Curve



### Outline Dimensions



| Dimensions [mm] |               |
|-----------------|---------------|
| <b>A</b>        | 3.0 $\pm$ 0.5 |
| <b>B</b>        | 3.5 $\pm$ 0.5 |
| <b>C</b>        | 2.1 $\pm$ 0.5 |
| <b>D</b>        | 1.5 typ.      |
| <b>E</b>        | 3.6           |
| <b>F</b>        | 1.7           |
| <b>G</b>        | 0.8           |

All specifications valid at +25°C, unless otherwise stated.