

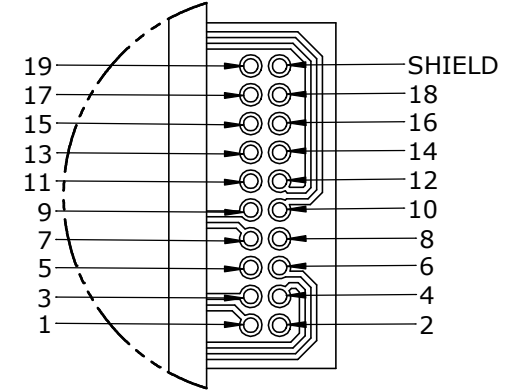
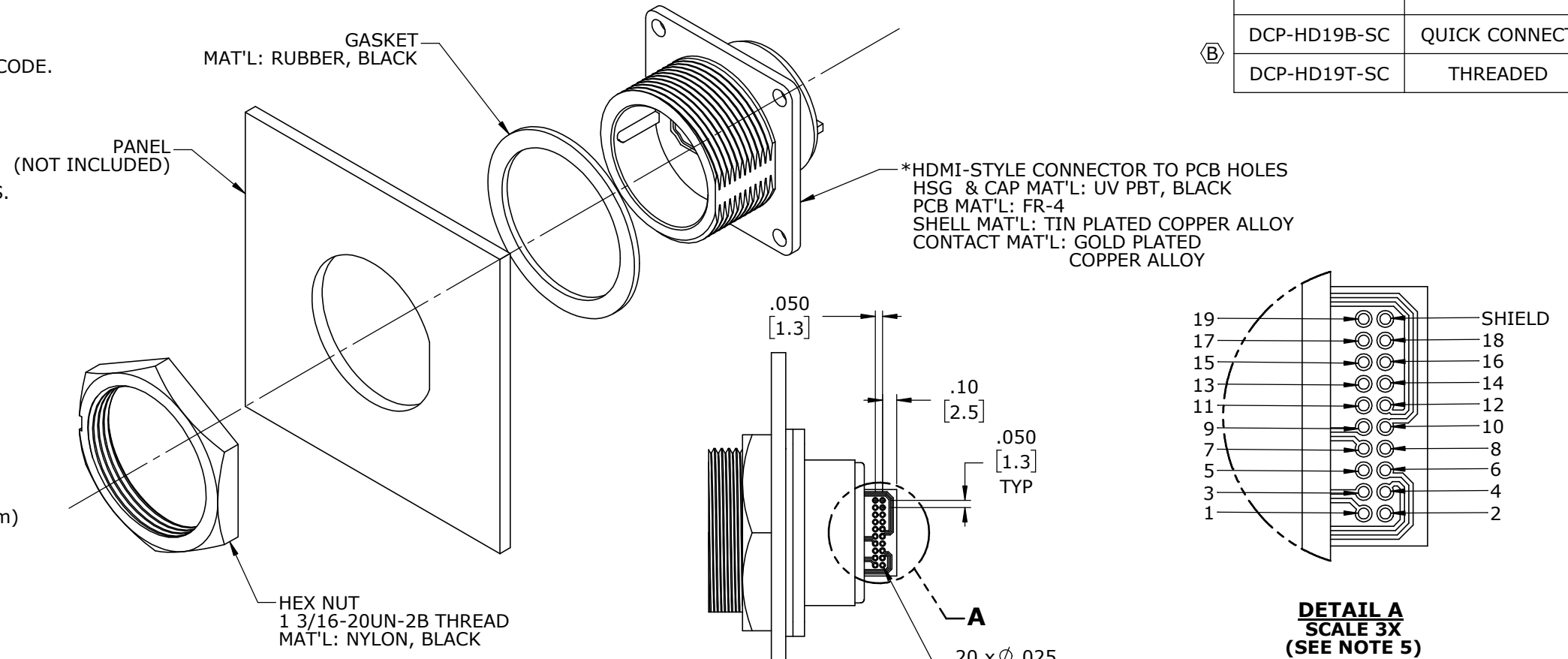
PART NUMBER	COUPLING TYPE
DCP-HD19B-SC	QUICK CONNECT
DCP-HD19T-SC	THREADED

- NOTES:**
- FINISHED PARTS TO BE PACKED 25 PIECES PER PARTITIONED BOX AND LABELED ON TOP WITH CXA P/N, "CONXALL", QTY, LOT & DATE CODE. HEX NUTS AND GASKETS BULK PACKED SEPARATELY.
 - DCP-HD19T-SC SHOWN IN EXPLODED VIEW. (*HDMI-STYLE CONNECTOR TO PCB HOLES WITH THREADED COUPLING.)
 - THE *HDMI-STYLE CONNECTOR STYLE IS TYPE "A".
 - THE DIMENSION DOES NOT INCLUDE GASKET COMPRESSION.
 - THE PCB PINOUT AND DIMENSIONS ARE TYPICAL FOR ALL VERSIONS.
 - UNLESS OTHERWISE SPECIFIED, DIMENSIONS WITH TWO DECIMAL PLACES HAVE TOLERANCES OF ±0.02
 - ALL DIMENSIONS ARE REFERENCE EXCEPT THOSE SHOWN WITH A TOLERANCE

ELECTRICAL:
 CURRENT RATING: 0.5A MINIMUM
 CONTACT RESISTANCE: 50 MILLIOHMS MAXIMUM
 INSULATION RESISTANCE: 10 MEGAOHMS MINIMUM (MATED)
 DIELECTRIC WITHSTANDING VOLTAGE: 300V AC (MATED)

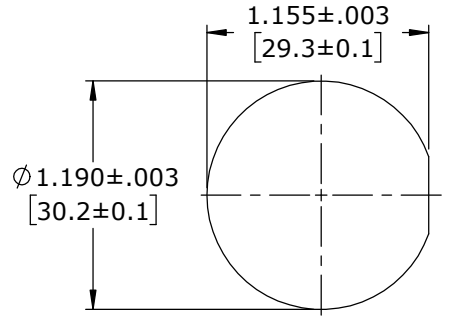
PRODUCT RATING:
 IP-67 & IP-68, NEMA 250 (6P), WHEN MATED

OTHER:
 OPERATING TEMPERATURE: -20 °C TO +80 °C [-4 °F TO +176 °F]
 RECOMMENDED PANEL THICKNESS:
 QUICK CONNECT COUPLING: 1/32" TO 3/16" (0.8mm to 4.8mm)
 THREADED COUPLING: 1/32" TO 5/32" (0.8mm to 3.9mm)



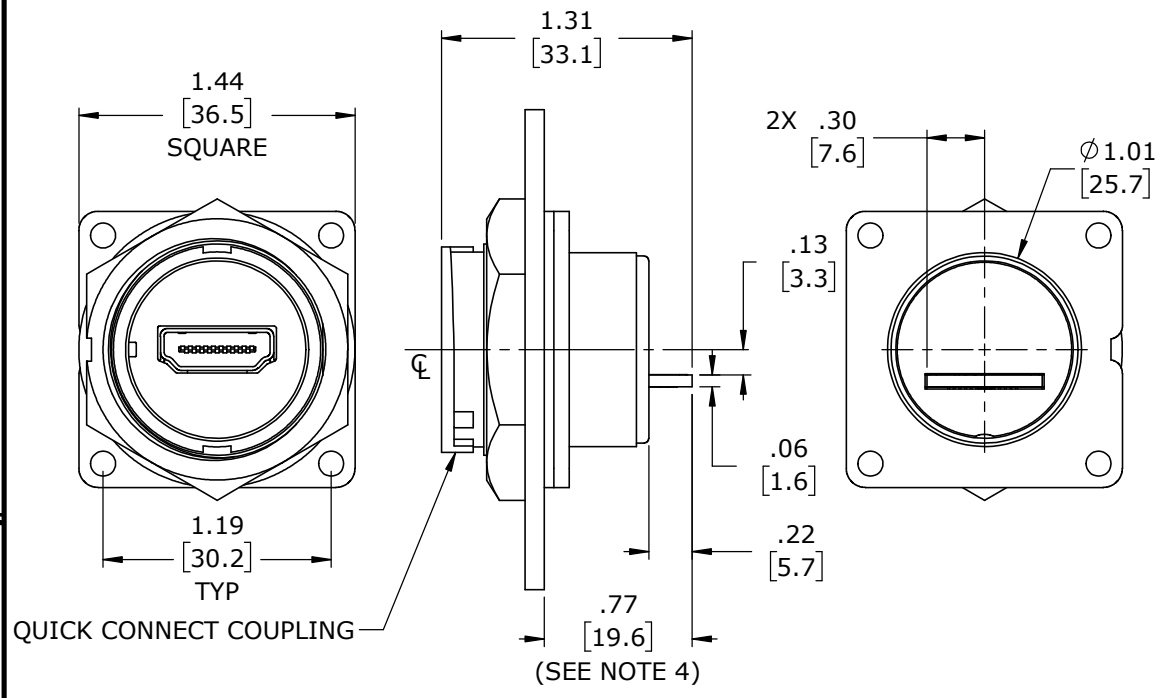
DETAIL A
 SCALE 3X
 (SEE NOTE 5)

TOP VIEW
 (SEE NOTE 5)

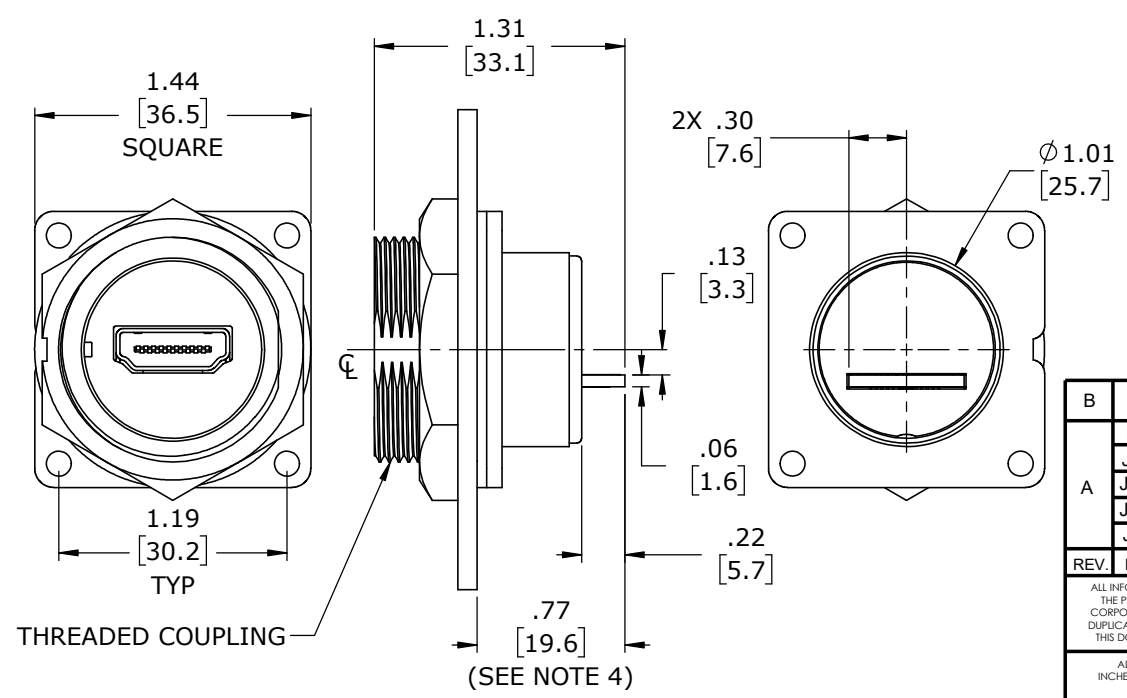


RECOMMENDED PANEL CUT-OUT
 QUICK CONNECT COUPLING
 OR THREADED COUPLING

DCP-HD19B-SC SHOWN
 (*HDMI-STYLE CONNECTOR TO PCB HOLES WITH QUICK-CONNECT COUPLING)



DCP-HD19T-SC SHOWN
 (*HDMI-STYLE CONNECTOR TO PCB HOLES WITH THREADED COUPLING)



*HDMI IS A REGISTERED TRADEMARK OF HDMI LICENSING LLC CORPORATION

DIMENSIONS IN BRACKET [] ARE METRIC.

RoHS COMPLIANT

B	SS	07-26-21	DRAWING NUMBER WAS DCP-HDMIX-SC SERIES PER ECR 9593
	MA	01-25-18	DRAWING RELEASED PER PDR 12003
	JGK	11/12/15	ADDED FLANGE HOLE DIMENSIONS.
A	JGK	03/23/15	ADDED DIMENSION OF PCB HOLE LOCATION.
	JGK	9/24/14	UPDATED NOTES.
	JGK	5/22/13	DRAWING CREATED PER PROJECT #12003.
REV.	INIT.	DATE	DESCRIPTION
	JGK	5/22/13	ORIG. DRAWN BY: DATE: 5/22/13
			CHECKED BY:
			APPROVED BY:
			SCALE: NTS SIZE: B SHEET: 1 OF 1
			FILE: DCP-HD19X-SC SERIES_CD DIRECTORY: SLW
			TITLE: *HDMI-STYLE PANEL CONNECTOR *HDMI-STYLE TO PCB HOLES DATA-CON-X CUSTOMER: STANDARD PRODUCT
			PART NUMBER: DCP-HD19X-SC SERIES REV B

ALL INFORMATION ILLUSTRATED IS THE PROPERTY OF "CONXALL CORPORATION". UNAUTHORIZED DUPLICATION OR DISTRIBUTION OF THIS DOCUMENT IS PROHIBITED.

ALL UNITS ARE IN FEET, INCHES, FRACTION OF INCHES AND DECIMALS. UNLESS OTHERWISE SPECIFIED TOLERANCES: 3 PLACE DECIMALS ±.005 ANGLES ±1° FRACTIONS ±1/16 - CRITICAL CHARACTERISTIC FLAG PER SPEC. XXXX



601 E. WILDWOOD VILLA PARK, IL 60181