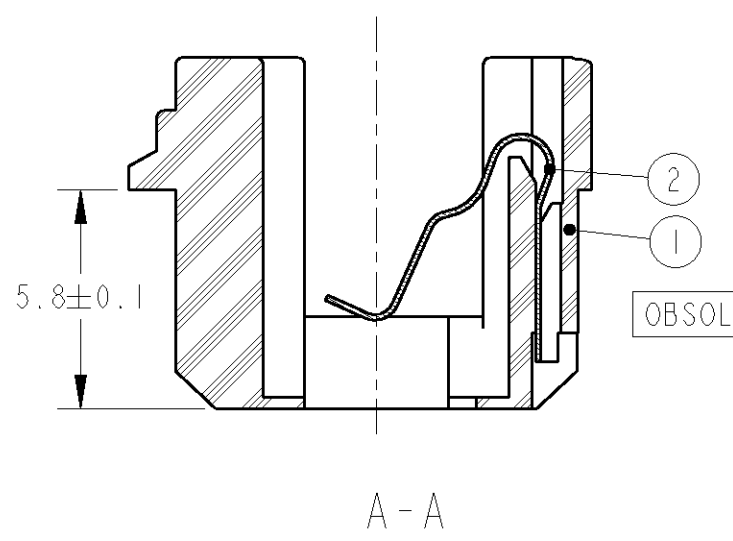
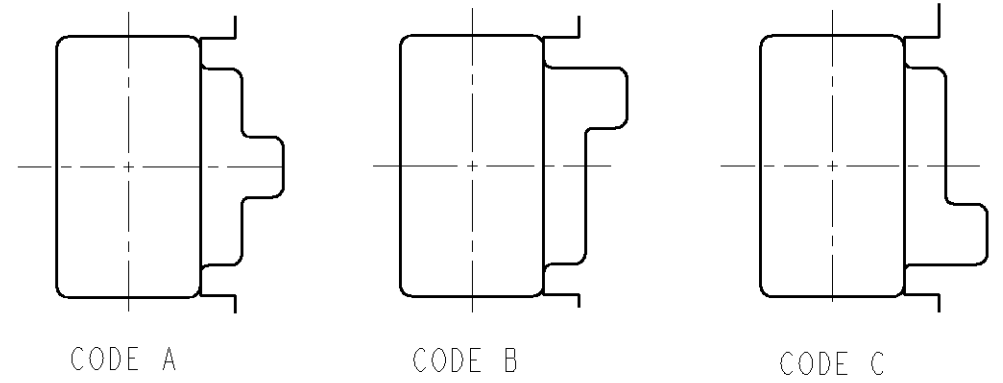
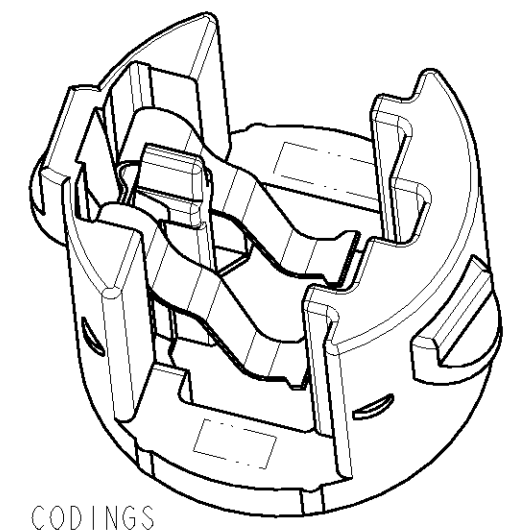
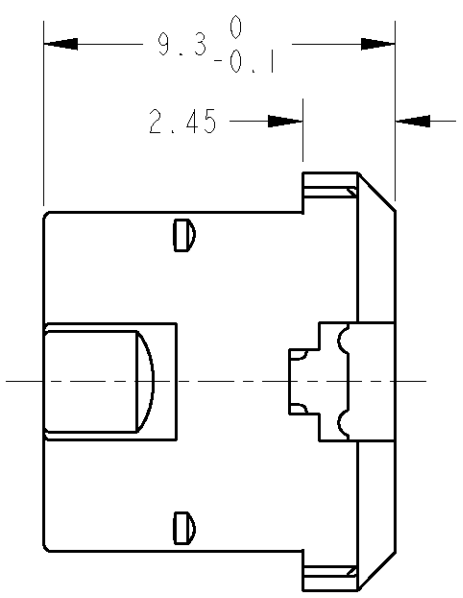
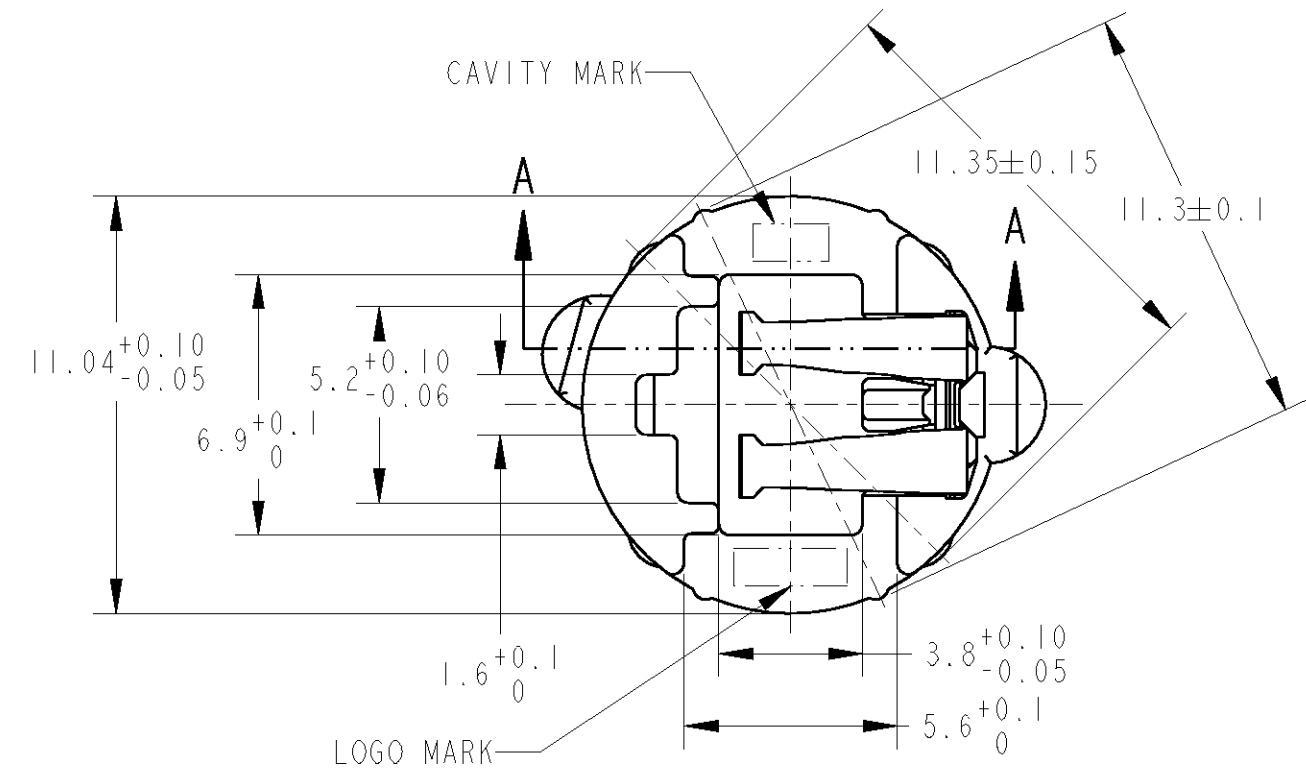


THIS DRAWING IS UNPUBLISHED. RELEASED FOR PUBLICATION 2001
 © COPYRIGHT 2001 BY TYCO ELECTRONICS CORPORATION. ALL RIGHTS RESERVED.

LOC	DIST	REVISIONS						
		P	LTR	DESCRIPTION	DATE	DWN	APVD	
J	-	0		DRAWN	FJ00-0636-01	06APR2001	R.N	N.S
		A		REVISED	FJ00-1722-01	30JUL2001	T.H	N.S
		A1		OBSOLETE ITEM -2	FJ00-0627-02	22MAR2002	R.N	H.Y
		A2		REVISED	ECR-05-001446	06APR2005	T.H	H.Y



PACKING STYLE	COLOR/FINISH	MATERIAL	PART NAME	ITEM NO	CODE	PART NUMBER
梱包形態	色/仕上	材料	部品名	アイテム番号	コード	型番
CARTON BOX ダンボール箱	SELECTIVE GOLD ORANGE(橙)	COPPER ALLOY PBT	SHORTING CLIP HOUSING	2 1	C	1376766-3
CARTON BOX ダンボール箱	SELECTIVE GOLD YELLOW(黄)	COPPER ALLOY PBT	SHORTING CLIP HOUSING	2 1	B	1376766-2
CARTON BOX ダンボール箱	SELECTIVE GOLD YELLOW(黄)	COPPER ALLOY PBT	SHORTING CLIP HOUSING	2 1	A	1376766-1
OUTER 外装						
INNER 内装						

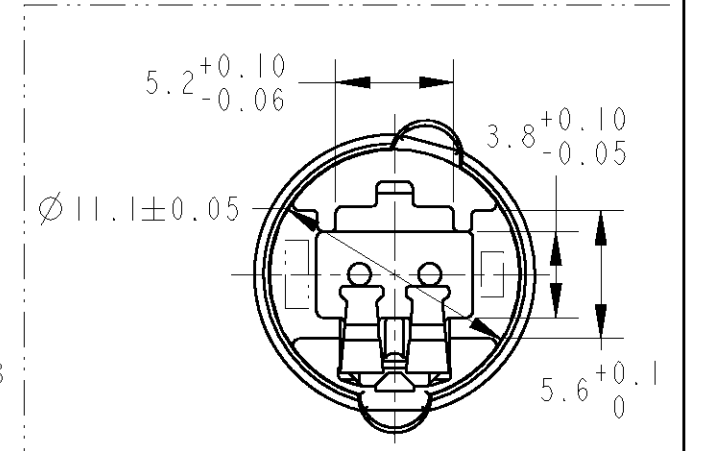
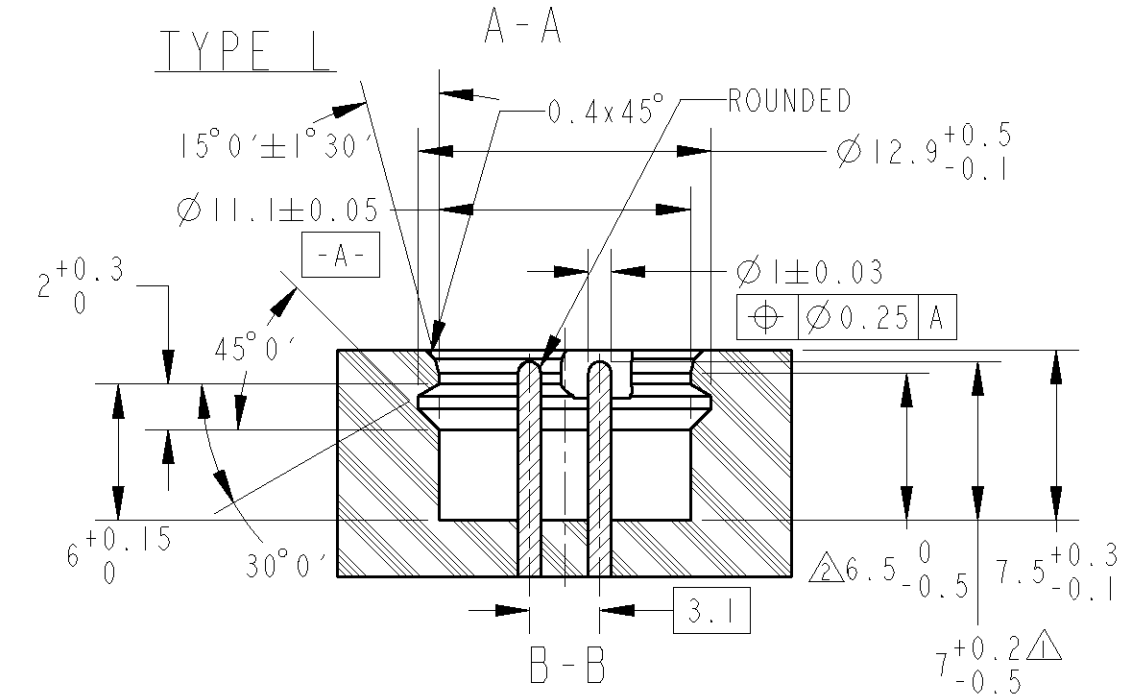
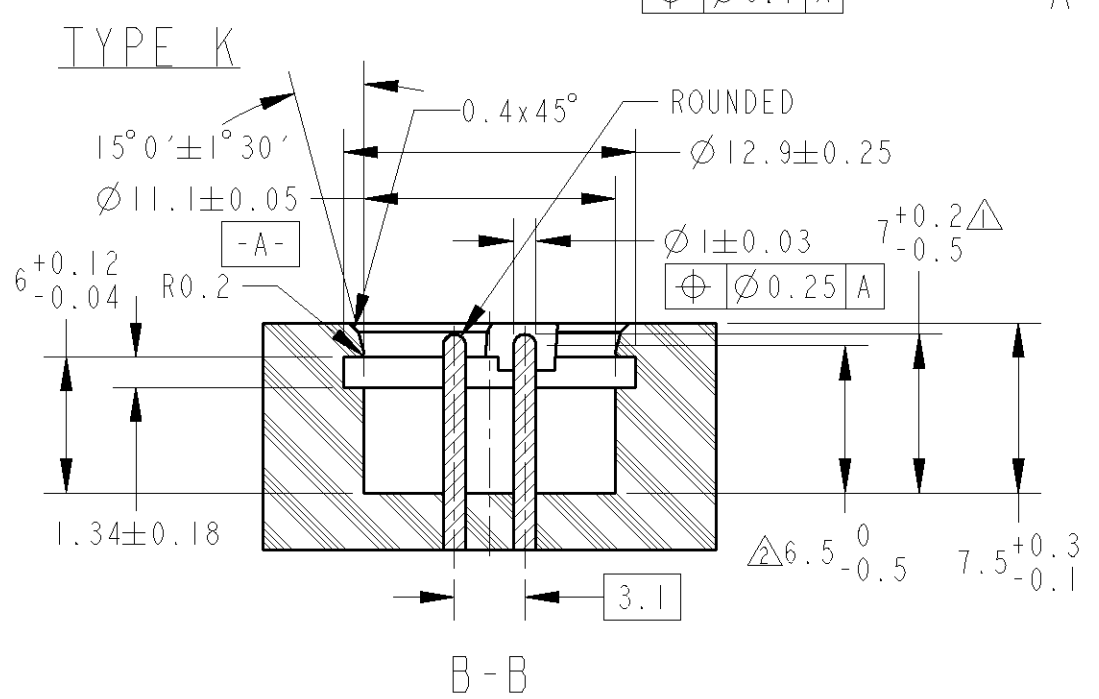
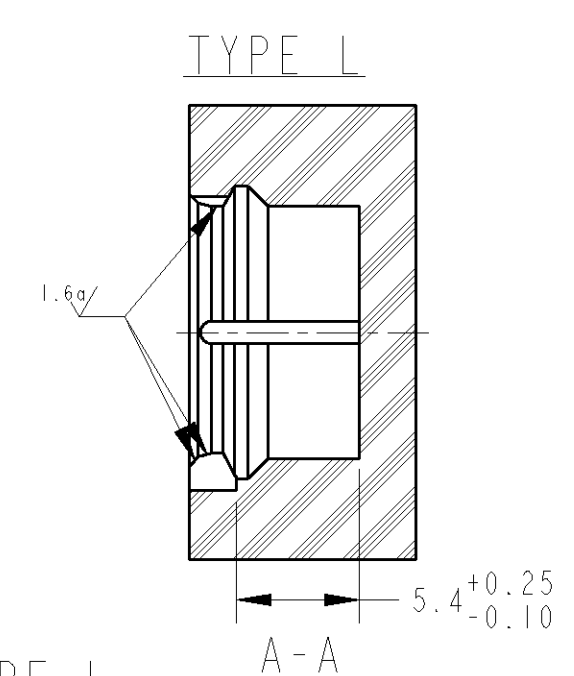
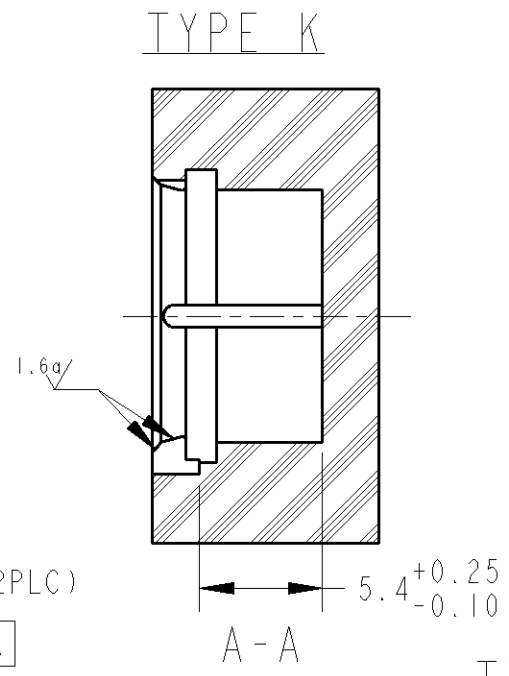
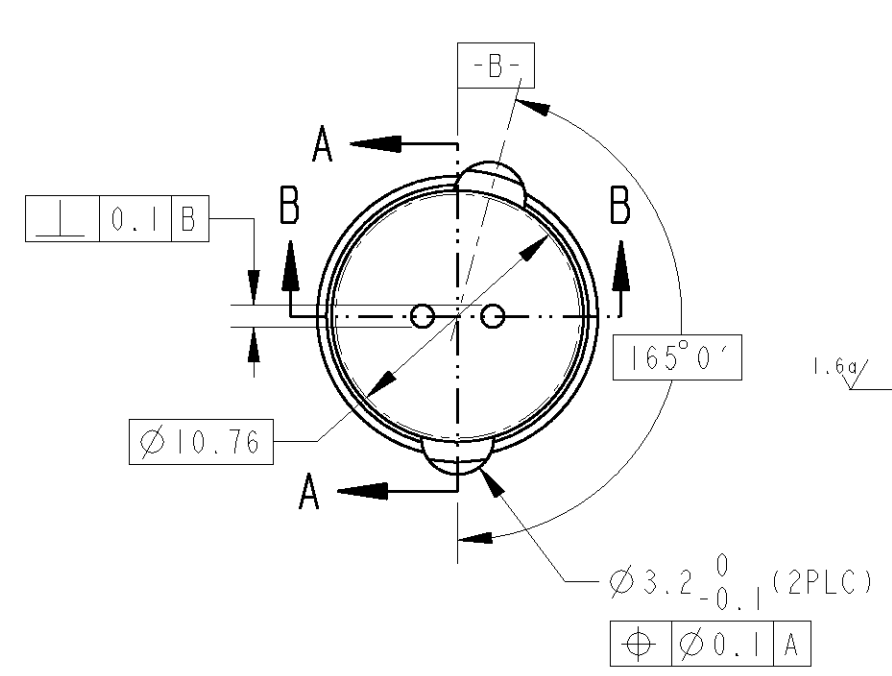
<small>THIS DRAWING IS A CONTROLLED DOCUMENT FOR TYCO ELECTRONICS CORPORATION IT IS SUBJECT TO CHANGE AND THE CONTROLLING ENGINEERING ORGANIZATION SHOULD BE CONTACTED FOR THE LATEST REVISION.</small>		DWN R. NAGAI 06APR2001	Tyco Electronics AMP K.K. Kawasaki, Japan
DIMENSIONS: 単位: 概 mm		CHK T. HAYASHI 06APR2001	
TOLERANCES UNLESS OTHERWISE SPECIFIED: LINEAR = ± 0.3 0-PLC ± 1-PLC ±0.1 2-PLC ±0.01 3-PLC ±0.001 4-PLC ±0.0001 ANGLES ±3'00"		APVD N. SAI 06APR2001	
MATERIAL 材料 SEE TABLE		FINISH 仕上 SEE TABLE	NAME 名称 SQUIB I IDIA SCR ASSY 9.3mm TYPE
CUSTOMER DRAWING		WEIGHT 0.5 g	SIZE A3 CAGE CODE 00779 DRAWING NO. C-1376766 RESTRICTED TO //
		SCALE 尺度 5:1	SHEET 1 OF 2 REV A2

1. AS FOR THE HANDLING OF THIS PRODUCT,
 FOLLOW THE INSTRUCTION SHEET No. 411-5990.
 2. SEE SHEET 2 ABOUT RECOMMENDATION HOLDER FORM

1. 本製品の取扱は、取扱説明書 No. 411-5990に従うこと。
 2. 推奨ホルダー形状はシート2に従うこと。

THIS DRAWING IS UNPUBLISHED. RELEASED FOR PUBLICATION 2001
 © COPYRIGHT 2001 BY TYCO ELECTRONICS CORPORATION. ALL RIGHTS RESERVED.

LOC	DIST	REVISIONS					
		P	LTR	DESCRIPTION	DATE	DWN	APVD
J	-			SEE SHEET 1 OF 2			



DIMENSION AFTER ATTACHING TO HOLDER
ホルダーへの装着寸法

△PLATING SPECIFICATION RELATED SQUIB PIN ;
 MIN. 0.5μm Au OVER MIN. 2.0μm Ni
 △CYLINDRIC AREA
 △スクワイブピンには2.0μm以上のニッケルメッキ上に0.5μm以上の金メッキを行なう。
 △円筒状エリア。

RECOMMENDATION HOLDER FORM

THIS DRAWING IS A CONTROLLED DOCUMENT FOR TYCO ELECTRONICS CORPORATION IT IS SUBJECT TO CHANGE AND THE CONTROLLING ENGINEERING ORGANIZATION SHOULD BE CONTACTED FOR THE LATEST REVISION.		DWN R. NAGAI 06APR2001 CHK T. HAYASHI 06APR2001 APVD N. SAI 06APR2001		tyco Electronics Tyco Electronics AMP K.K. Kawasaki, Japan	
DIMENSIONS: 単位: 概 mm		TOLERANCES UNLESS OTHERWISE SPECIFIED: LINEAR = ± 0.1 0-PLC ± 1-PLC ±0.1 2-PLC ±0.01 3-PLC ±0.001 4-PLC ±0.0001 ANGLES ±1°00'		NAME 名称 SQUIB IIDIA SCR ASSY 9.3mm TYPE	
MATERIAL 材料 SEE 1 OF 2		FINISH 仕上 SEE 1 OF 2		PRODUCT SPEC 製品規格 SEE 1 OF 2 APPLICATION SPEC 取付適用規格 SEE 1 OF 2	
WEIGHT SEE 1 OF 2		CUSTOMER DRAWING		SIZE A3 CAGE CODE 00779 DRAWING NO. 1376766 RESTRICTED TO //	
SCALE 尺度 3:1				SHEET 2 OF 2 REV A2	