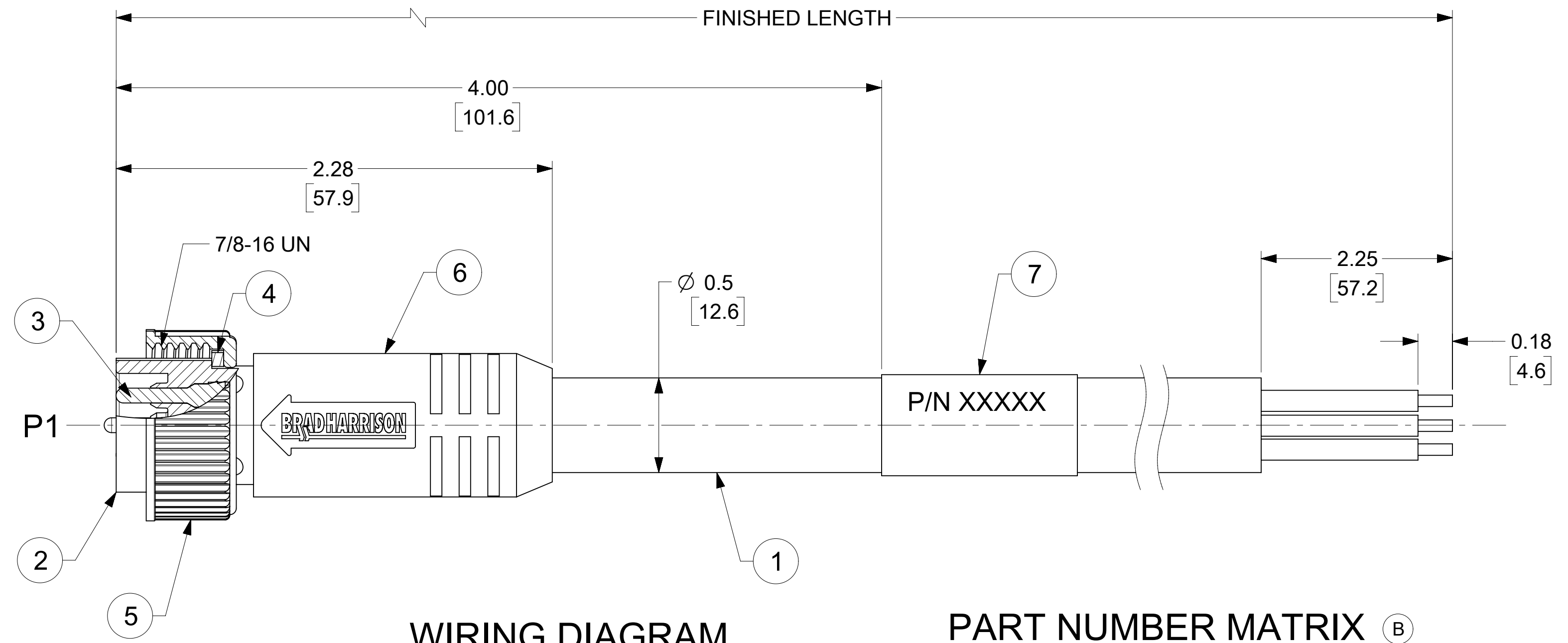
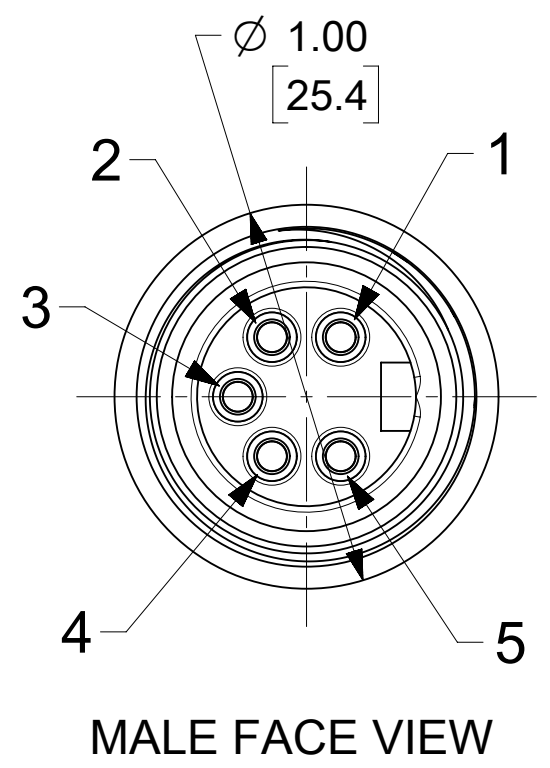
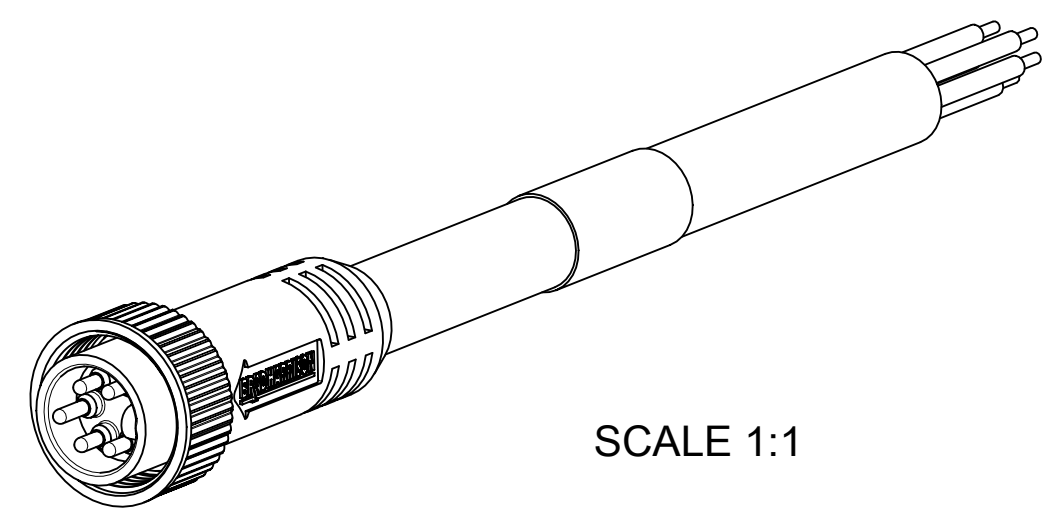


MATERIAL NO.	ENGINEERING NO.	FINISHED LENGTH
1300061435	105002A01F030	3 FT. (0.9 M)
1300061438	105002A01F060	6 FT. (1.82 M)
1300061447	105002A01F120	12 FT. (3.6 M)
1300061453	105002A01F200	20 FT. (6.09 M)

CABLE LENGTH TOLERANCES
 <.3M [1FT]: +19mm-0 [+ .75in-0]
 .3 - .9M [1 - 3FT]: +44.5mm-0 [+1.75in-0]
 .9 - 1.8M [3 - 6FT]: +55.6mm-0 [+2.19in-0]
 1.8 - 3.7M [6 - 12FT]: +88.9mm-0 [+3.50in-0]
 3.7 - 7.3M [12 - 24FT]: +165.1mm-0 [+6.50in-0]
 7.3-14.6M [24 - 48FT]: +317.5mm-0 [+12.50in-0]
 14.6 - 30.5M [48-100FT]: +622.3mm-0 [+24.50in-0]
 OVER 30M [100FT] +2% OF FINISHED LENGTH



- NOTES:**
- MATERIAL: AS NOTED
 - FINISH: AS NOTED
 - ELECTRICAL:
 VOLTAGE: 400V PER IEC60664 (B)
 600V PER UL2238
 CURRENT: 8A
 TEMP RATING: -20°C TO +105°C (B)
 PROTECTION: IP67 (WHEN MATED)
 CSA CERTIFIED FILE: LR6837 (B)
 UL RECOGNIZED FILE: E152210 (B)
 ASSEMBLY IS ROHS COMPLIANT
 ALL DIMS ARE FOR REFERENCE UNLESS TOLERANCED OR NOTED OTHERWISE

WIRING DIAGRAM

P1	
1	WHITE
2	RED
3	GREEN/YELLOW
4	ORANGE
5	BLACK

PART NUMBER MATRIX (B)

105002A01F030

FINISHED LENGTH
 F001= .1 FT
 F020= 2 FT
 F200= 20 FT

7	WRAP LABEL	VINYL	BLACK/YELLOW
6	OVERMOLD	TPE	YELLOW
5	COUPLING NUT	ZINC DIE CAST	BLACK E-COAT
4	FRICTION RING	NYLON	NATURAL
3	PIN CONTACT	Cu ALLOY	GOLD OVER NICKEL
2	MALE INSERT	TPE	YELLOW
1	CABLE, STOOV/ST #16-5	PVC JACKET	YELLOW
ITEM	DESCRIPTION	MATERIAL	FINISH

FUNCTIONAL SYMBOLS FA=0 FC=0 FP=0	THIS DRAWING CONTAINS INFORMATION THAT IS PROPRIETARY TO MOLEX ELECTRONIC TECHNOLOGIES, LLC AND SHOULD NOT BE USED WITHOUT WRITTEN PERMISSION		CURRENT REV DESC: UPDATED ITEM #1, 2, 6, 7 & TEMP RATING. ADDED CSA, UL, IP RATING, IEC VOLT, TOL. CHART & PART NO. MATRIX. MODIFIED PN CHART	
	DIMENSION UNITS	SCALE	EC NO: 673727	
	INCH/MM	2:1	DRWN: VHANDI	2021/05/24
	GENERAL TOLERANCES (UNLESS SPECIFIED)		CHK'D: RSTONE	2021/08/13
DIVISIONAL SYMBOLS	4 PLACES	±	APPR: BWOODMAN	2021/08/27
	3 PLACES	±	INITIAL REVISION:	
	2 PLACES	±	DRWN: LHARTMANN	2009/06/10
	1 PLACE	±	APPR: JFMURPHY	2009/08/17
0 PLACES		±	DRAWING SERIES	
ANGULAR TOL ± 0.5°		THIRD ANGLE PROJECTION		C-SIZE 130006
DRAFT WHERE APPLICABLE MUST REMAIN WITHIN DIMENSIONS		MATERIAL NUMBER		CUSTOMER
		SEE TABLE		GENERAL MARKET

molex

MINI-CHANGE CORDSET, A SIZE, 5 POLE MALE, STRAIGHT, SINGLE KEY, 16 AWG

PRODUCT CUSTOMER DRAWING

DOCUMENT NUMBER: SD-130006-005

DOC TYPE: PSD

DOC PART: 001

REVISION: B

SHEET NUMBER: 1 OF 1