

MATERIALS AND FINISHES

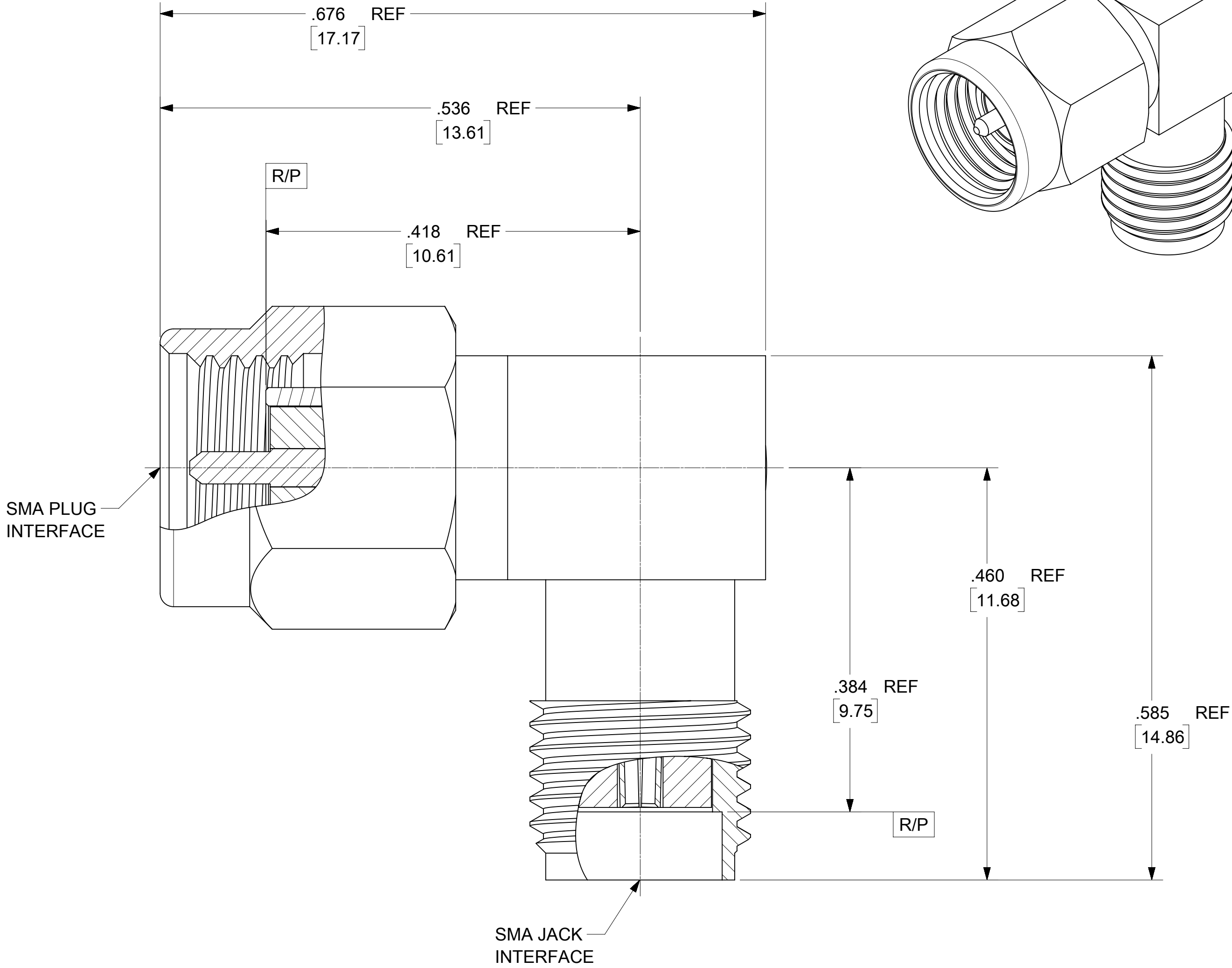
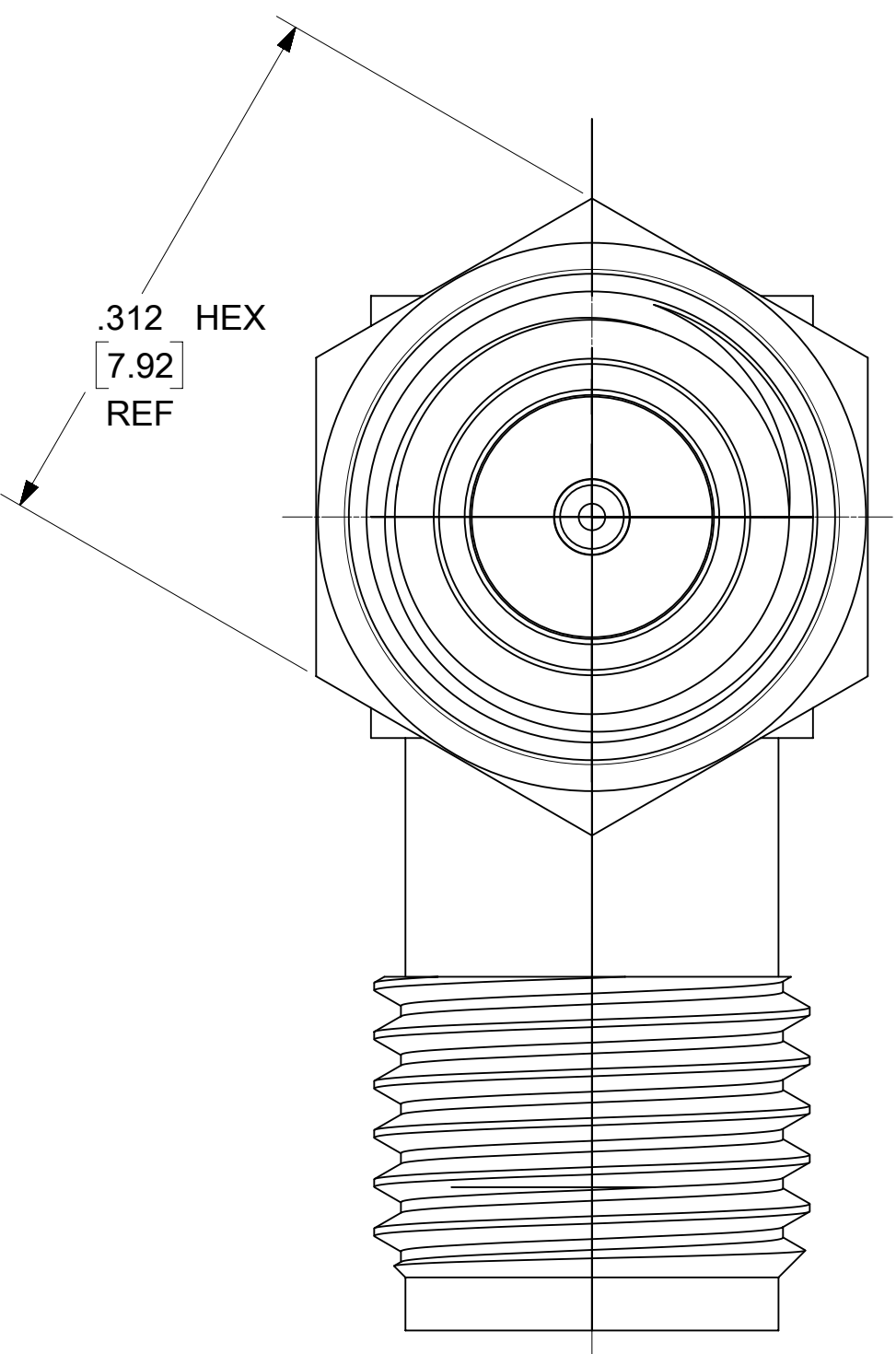
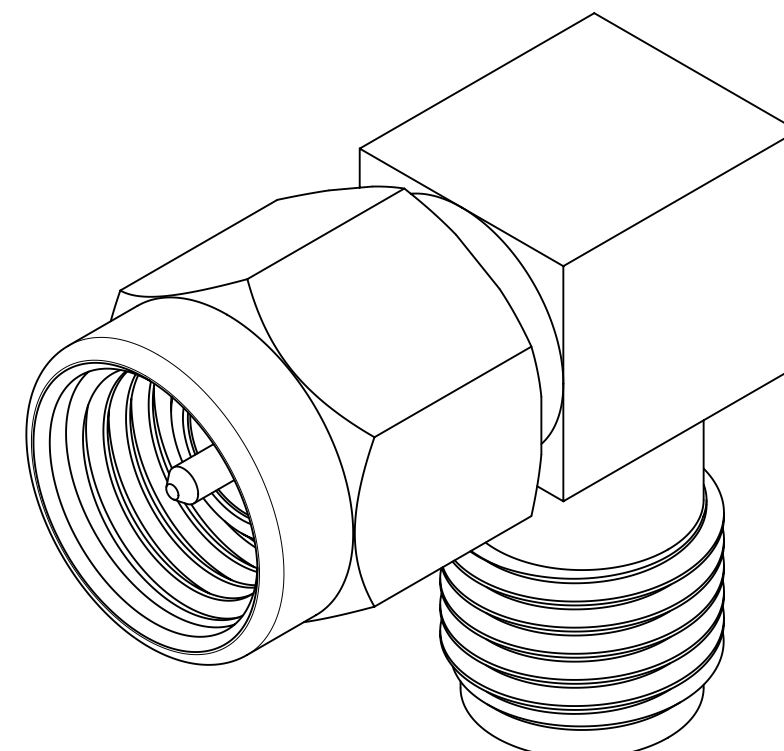
BODY, COUPLING NUT & CAP: STAINLESS STEEL  
PASSIVATED

CENTER CONTACTS: BERYLLIUM COPPER  
PLATED GOLD (30μ-in MIN)

INSULATORS: PTFE

GASKET: SILICONE RUBBER

SNAP RING: BERRYLLIUM COPPER



PACKAGING: TRAY  
PART # 73251-0303

MIL-STD-348B, FIG. 310.1	SMA PLUG INTERFACE
MIL-STD-348B, FIG. 310.2	SMA JACK INTERFACE
SPECIFICATION	DESCRIPTION

THIS DRAWING CONTAINS INFORMATION THAT IS PROPRIETARY TO MOLEX ELECTRONIC TECHNOLOGIES, LLC AND SHOULD NOT BE USED WITHOUT WRITTEN PERMISSION

QUALITY SYMBOLS ▽ = 0 ▽ = 0 ▽ = 0 ▽ = 0 ▽ = 0 ▽ = 0 ▽ = 0 ▽ = 0 ▽ = 0 ▽ = 0 ▽ = 0 ▽ = 0	MIGRATED EC NO: 168537 DRWN: LIMEIER CHKD: SSSHAH REV / APPR: AROBERTSON	GENERAL TOLERANCES (UNLESS SPECIFIED)		DIMENSION UNITS	SCALE	
				INCH	NTS	
				DRWN BY	DATE	
				CHK'D BY	DATE	
				EDC	1998/01/06	ADAPTOR SMA P/SMA J RA 50 OHM, SMA-PJ/AD, EWR-11574-A
				DHG	1998/01/06	
				GMH	1998/01/06	PRODUCT CUSTOMER DRAWING
		ANGULAR TOL = 2.0		DRAWING SIZE	THIRD ANGLE PROJECTION	SERIES
		DRAFT WHERE APPLICABLE MUST REMAIN WITHIN DIMENSIONS		C		MATERIAL NUMBER
						CUSTOMER
						73251
						732510303
						DOCUMENT NUMBER
						SD-73251-030
						DOC TYPE
						PSD
						DOC PART
						001
						SHEET NUMBER
						1 OF 1