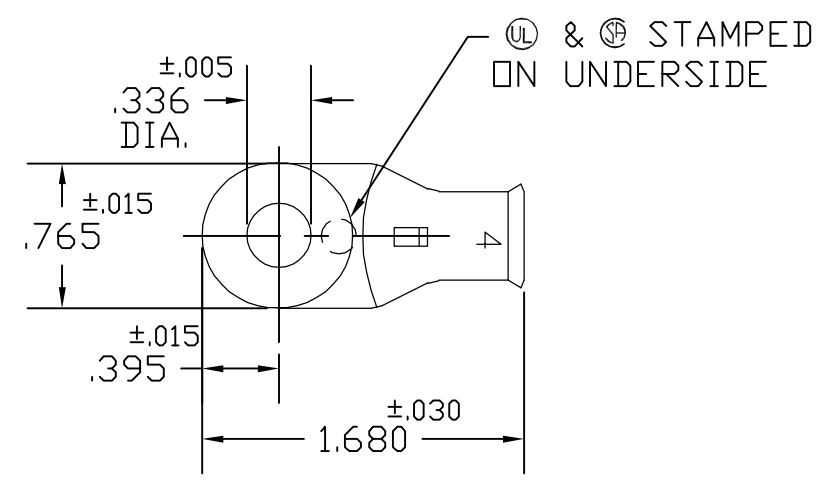
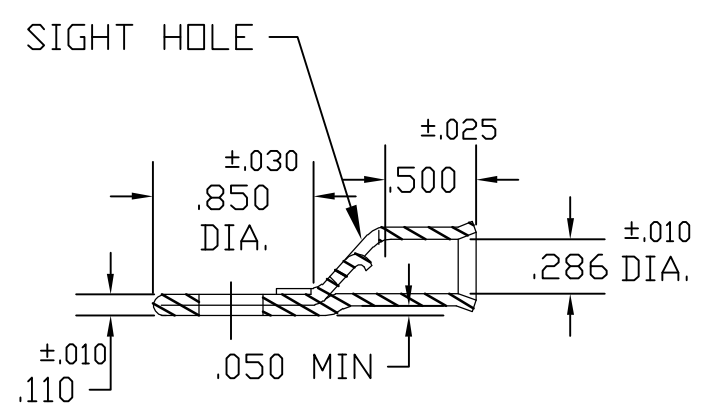


THIS DRAWING IS UNPUBLISHED. RELEASED FOR PUBLICATION
 © COPYRIGHT BY TYCO ELECTRONICS CORPORATION. ALL RIGHTS RESERVED.

LOC	DIST	REVISIONS					
		P	LTR	DESCRIPTION	DATE	DWN	APVD
G	50		A2	REV PER ECR 06-008456	19APR06	JR	DD



1 PRELIMINARY - NOT FOR PRODUCTION



1	PRELIMINARY	---	STANDARD	TIN PLATE	1526278-2
	ACTIVE	4563-06	STANDARD	PLAIN	1526278-1
	STATUS	AET P/N	PACKAGING	FINISH	PART NUMBER

THIS DRAWING IS A CONTROLLED DOCUMENT.		DWN D.A.A. 10/25/00	Tyco Electronics Corporation Harrisburg, PA 17105-3608		
DIMENSIONS: INCHES		CHK H.D.F. 10/25/00			
		APVD H.D.F. 10/25/00	4 STANDARD TERMINAL W/RECESSED PAD		
TOLERANCES UNLESS OTHERWISE SPECIFIED:		PRODUCT SPEC	-		
0 PLC ± -		APPLICATION SPEC	-		
1 PLC ± -		WEIGHT	-		
2 PLC ± -		SIZE	CAGE CODE	DRAWING NO	RESTRICTED TO
3 PLC ± -		A3 00779		C=1526278	-
4 PLC ± -		CUSTOMER DRAWING			
ANGLES ± -		SCALE	SHEET	REV	
MATERIAL		1:1		1 OF 1	A2
COPPER ASTM B-152					