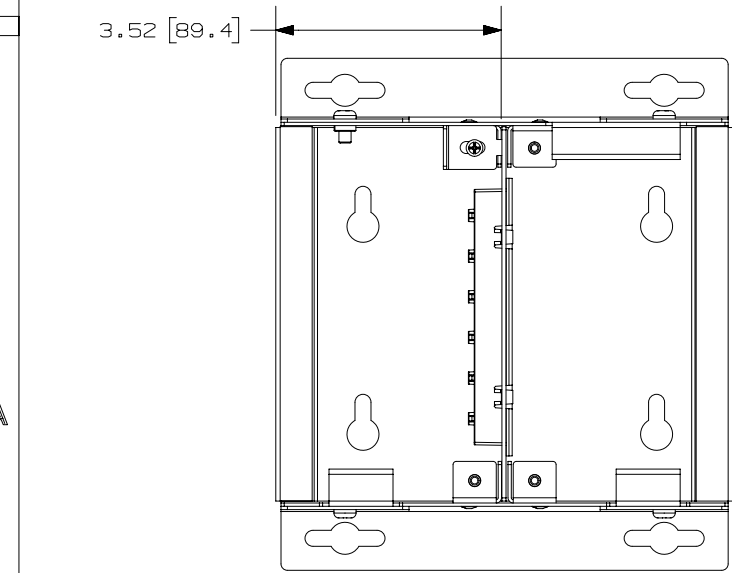
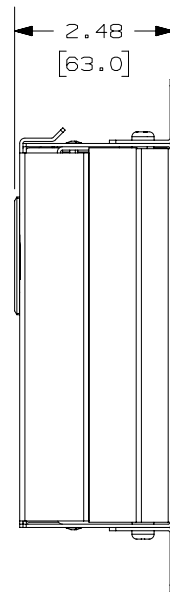
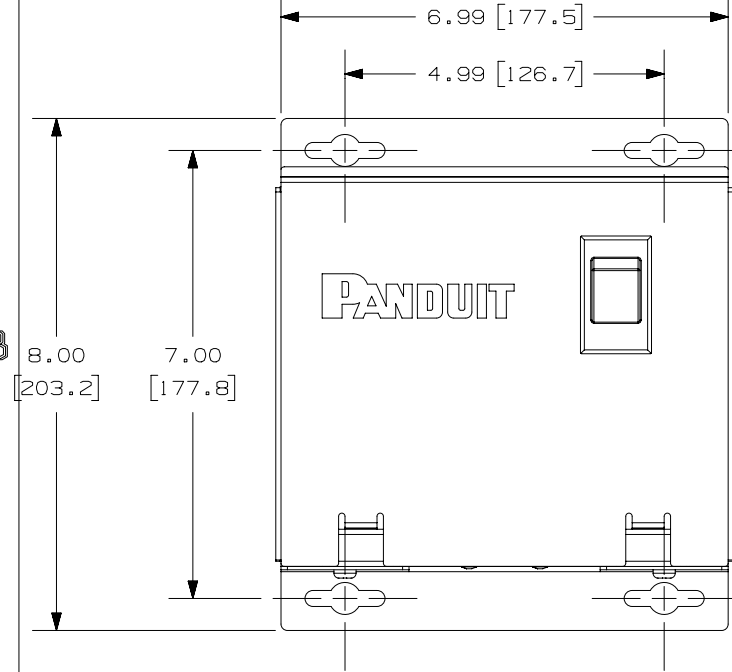
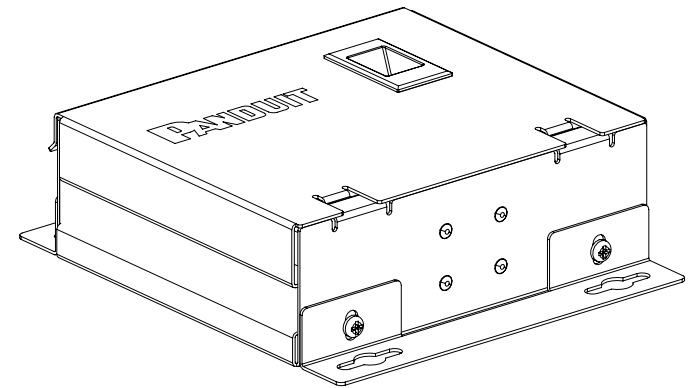


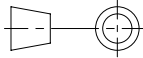
THIS COPY IS PROVIDED ON A RESTRICTED BASIS AND IS NOT TO BE USED IN ANY WAY DETRIMENTAL TO THE INTERESTS OF PANDUIT CORP.



COVER
OFF

- NOTES:
1. VISIT OUR ON-LINE CATALOG AT WWW.PANDUIT.COM FOR A LIST OF CURRENT PARTS APPLICABLE FOR USE WITH THIS PRODUCT.
 2. DIMENSIONS IN [] ARE METRIC.
 3. ALL MATERIALS AND COMPONENTS USED MEET THE MATERIAL RESTRICTIONS OF RoHS (EUROPEAN DIRECTIVE 2011/65/EU ON THE RESTRICTION OF HAZARDOUS SUBSTANCES) AS PROPOSED BY THE RoHS TECHNICAL ADAPTATION COMMITTEE.
 4. WEIGHT: 3.2 lbs [1452 g]
 5. PART INCLUDES: BASE, COVER, 6 PORT MINI-COM PATCH PANEL EXTERNAL MOUNTING BRACKETS (2), SCREWS (4)



PART NUMBER		CPB6BL		
TITLE		6 PORT CONSOLIDATION POINT BOX		
		CUSTOMER DRAWING		
ITEM REVISION NAME		01335NBA/01		
DATASET FILE NAME		01335NBA_DC/01A		
		THIRD ANGLE PROJECTION		
MATERIAL		SEE NOTE 5		DRAWING NUMBER
				01335NBA-DC
REV	DATE	BY	CHK	SCALE
01A	11-4-19	BJN	BSN	NONE
DESCRIPTION		ECN		SHEET 1 OF 1
RELEASED TO PRODUCTION		M09000KT		A

A-SIZE CUSTOMER

2

1

2

1