

CLFPB14

Premium Performance 32 Watt 1x4
Ultra-Thin Back-Lit LED Panel

LEDQUANT

Project:	
Type:	
Catalog #:	

STANDARD



FEATURES

- Available in 3500k (warm/neutral white), 4000k (neutral white) & 5000k (cool white) color temperatures.*
- Long-life LEDs provide at least 144,000 hours of operation with at least 70% of initial lumen output (L_{70}).**
- Provides 4,124 to 4,169 luminaire lumens, and 128 to 129 lumens per watt.*
- Uniform illumination with no visible LED pixilation.
- Universal 120-277 AC voltage (50-60Hz) is standard.
- 0-10vdc dimming capability is standard.
- Power factor > 90.
- Total harmonic distortion < 20%.
- Color rendering index > 80.
- Aluminum frame and steel housing backplate.
- PMMA (polymethyl methacrylate) LED lenses for optimal light distribution, efficiency and longevity.
- Easy installation in new construction or retrofit.
- Standard earthquake clips provide secure installation in grid ceilings.
- Standard mounting options include recessed mounting in grid ceilings, or suspended mounting using attached hanging brackets. For mounting in plaster or other hard ceiling, see Mounting Kits.

* Contact factory for other color temperatures and lumen packages.

** L_{70} hours are IES TM-21-11 calculated hours.



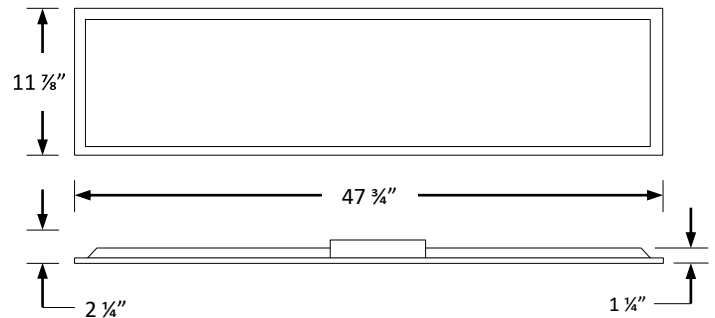
WARRANTY & LISTINGS

- cULus for damp locations and insulated ceilings (Type IC-rated). Suitable for ambient temperatures from -20°C to 40°C (-4°F to 104°F).
- DLC premium approved.
- Flicker-free per IEEE1789-2015 (no observable adverse effects of flicker at 100% light output level).
- Complies with RoHS (Restriction on Hazardous Substances) requirements.
- Complies with FCC Part 15, class B.
- Complies with EN61000-4-5, surge immunity protection (1kV).
- 5-year warranty of all electronics and housing.

MOUNTING KITS

- Optional Surface Mount Kits (SMKT-14) and Flange Mounting Kits (FLANGEKIT14) provide for installation on plaster or other hard ceilings.
- Optional Cable Mounting Kits (CMK) provide additional security, as well as suspended mounting.

DIMENSIONS



Weight: 5 lbs.

ORDERING INFORMATION

Example: CLFPB14-3235-PRM

Series	Nominal Lumens		Color Temperature		DLC		Options (Order Separately)	
	32	4,000 lm	35K	3500K	PRM	PREMIUM	SMKT-14	Surface Mounting Kit (1x4), Back-Lit Panels
CLFPB14			4K	4000k			FLANGEKIT14	Flange Mounting Kit (1x4)
			5K	5000k			CMK	Cable Mounting Kit, Quantity 6, 1 meter long, 1/16" diameter, with spring clips & adjustable, locking ceiling attachment

ELECTRICAL DATA

Model	Color Temperature	CRI ¹	Luminaire Lumens	Luminaire Watts	Lumens Per Watt	Input Voltage ²	Input Current (A)			Power Factor	THD ³	L ₇₀ Hours ⁴
							120V	240V	277V			
CLFPB14-3235-PRM	3500K	> 80	4,124	32	128	120-277	0.27	0.13	0.12	> 90%	< 20%	144,000
CLFPB14-3240-PRM	4000K	> 80	4,147	32	129	120-277	0.27	0.13	0.12	> 90%	< 20%	144,000
CLFPB14-3250-PRM	5000K	> 80	4,169	32	129	120-277	0.27	0.13	0.12	> 90%	< 20%	144,000

¹ Color rendering index.

² All 50-60Hz.

³ Total harmonic distortion.

⁴ L₇₀ refers to the number of hours at which lumen output declines to 70% of the initial level. L₇₀ hours are IES TM-21-11 calculated hours.

PHOTOMETRIC DATA

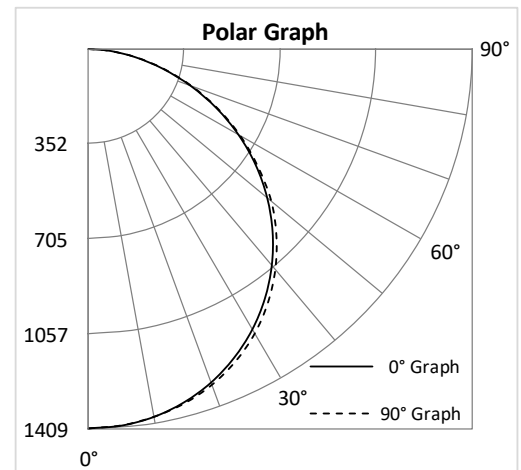
CLFPB14-3250-PRM

Luminaire Data

Description	1x4 Premium Back Lit LED Panel - 5000K
Total Lumens	4,169
Input Wattage	32
Efficacy (lm/W)	129
Spacing Criterion (0-180°)	1.28
Spacing Criterion (90-270°)	1.30

Zonal Lumen Summary

Zone	Lumens	%Fixt
0-20°	518	12.4%
0-30°	1,104	26.5%
0-40°	1,818	43.6%
20-50°	2,047	49.1%
40-70°	1,945	46.7%
0-60°	3,242	77.8%
0-80°	4,071	97.6%
0-90°	4,162	99.8%
90-180°	6	0.2%
0-180°	4,169	100.0%

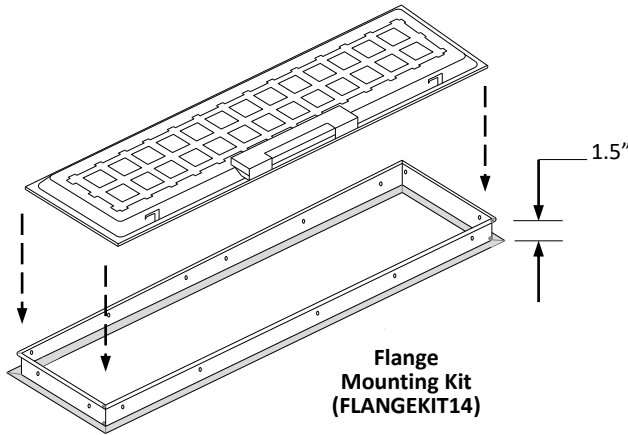
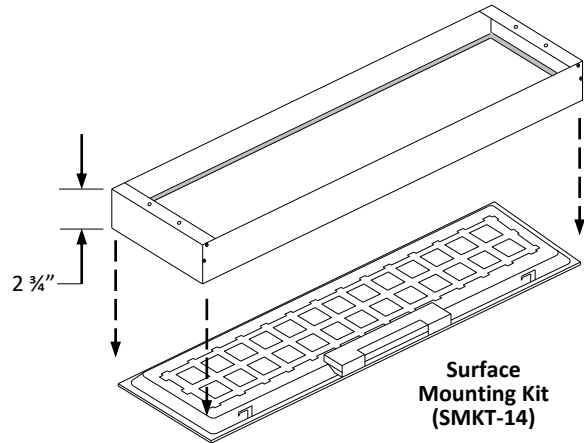


Compatible Dimmers

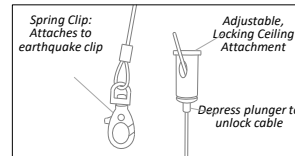
Manufacture	Model Number	Dimming Range	Load Switching Capacity
Lutron	DVSTV	10%-100%	450W
Leviton	IP710-LFZ	10%-100%	1200W
General Protecht	DMD-LED3-102	10%-100%	600W

MOUNTING MEANS – ORDER SEPERATATLY

- Optional surface mounting kits (SMKT-14) mounts below the ceiling.
- Optional flange mounting kits provide for recessed installation on plaster or other hard ceilings. Attach Flange Mount Kit (FLANGEKIT14) to ceiling joists or other stationary structures, and the panel is mounted flush to the ceiling.
- Optional cable mounting kits provide additional security, as well as suspended mounting. Attach one end of the Cable Mount Kit (CMK) to luminaire earthquake clips using spring clips, and attach the other end to stationary structures using the adjustable, locking ceiling attachment (see picture below right).



Cable Mounting Kit (CMK)



Cable Mount Kit:

- Spring Clip
- Adjustable, locking ceiling attachment