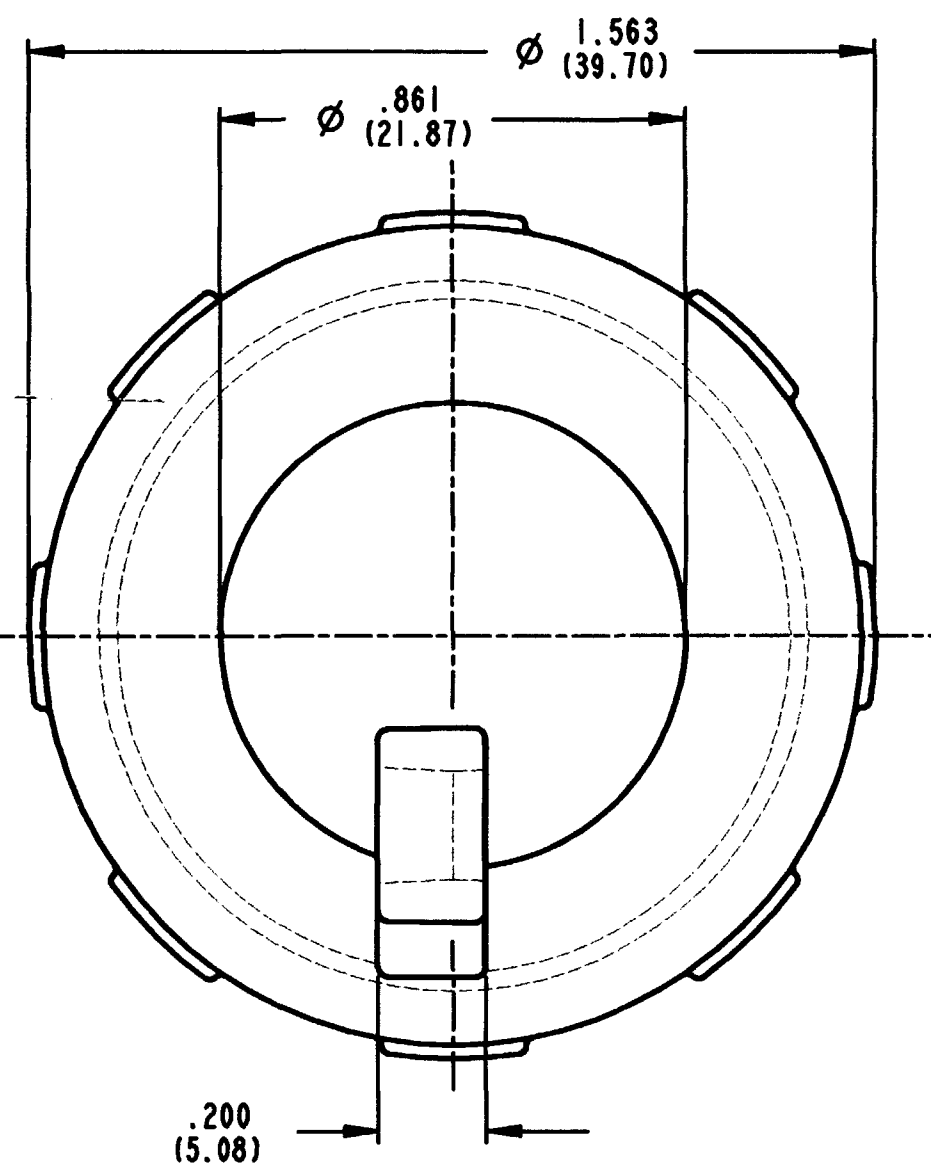
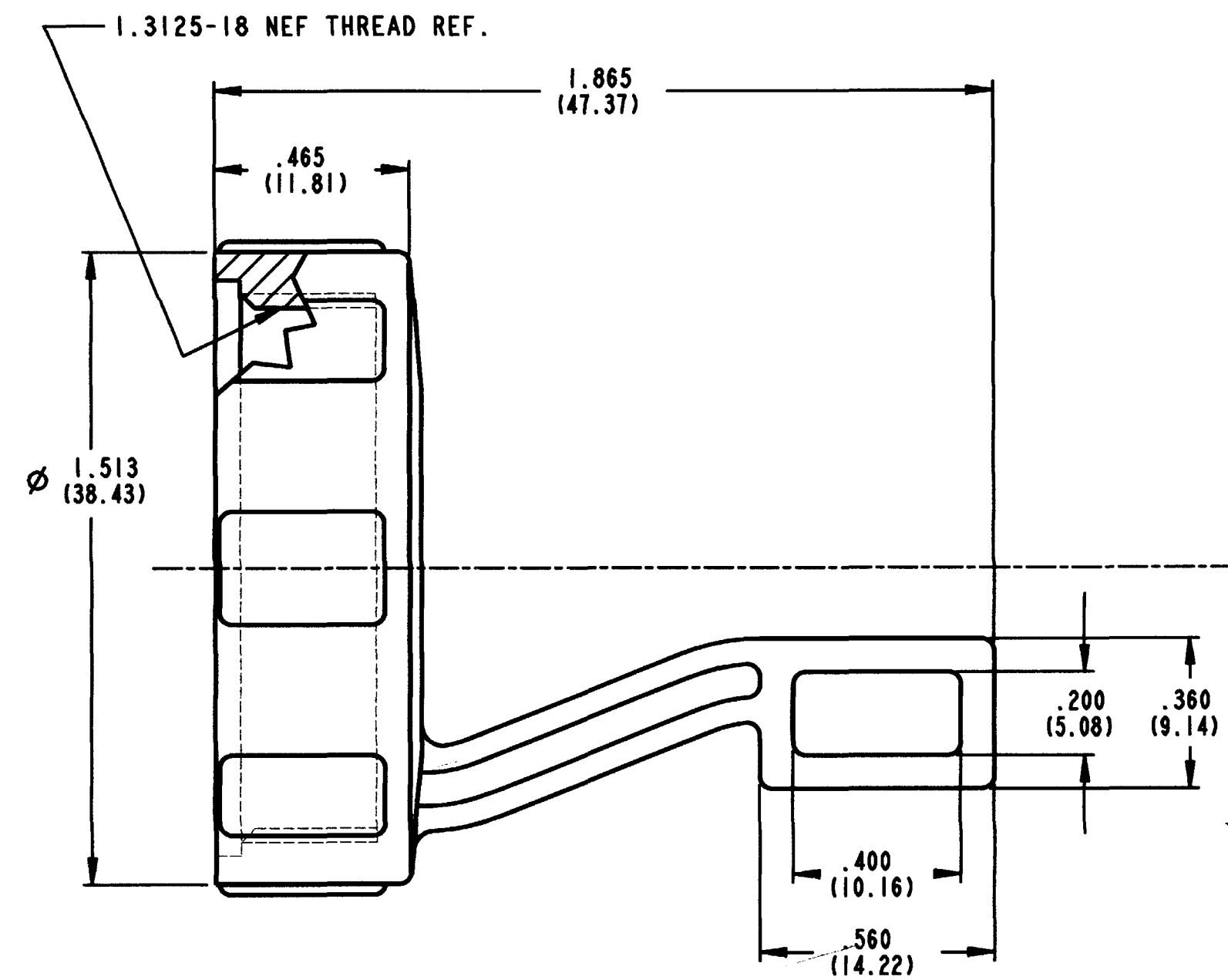


REV D HD18-006

REVISIONS			
SYM	DESCRIPTION	DATE	APPROVED
C	REVISED AND REDRAWN PER E.O. A13795	5/4/92	J.R.A.
D	REVISED PER E.O. P17186	3-8-01	RDR



4. THIS BACK SHELL ACCEPTS: HD10-6-96P*-****, HD14-6-96P*-****, HD16-6-96S*-****. * = SEAL TYPE; **** = MODIFICATIONS.
3. MATERIAL: PLASTIC; COLOR: GREY.
2. DIMENSION TOLERANCE: ±.025 (.63).

NOTES: 1. ALL DIMENSIONS ARE IN INCHES (MILLIMETERS).

SIGNATURE & DATE	
DR	J. NORRIS 29APR92
CHK	R. Rood 3/7/01
PE	R. Rood 3-7-01
APPD	R. Rood 3-8-01
SCALE	NONE WT

BACK SHELL
HD10 SERIES
FOR SIZE 6

ENVELOPE

CP	MATL. CODE
The Deutch Company DEUTSCH I.P.D. 37140 INDUSTRIAL AVE. HEMET, CALIF. 92343	
B	HD18-006
DWG SIZE	CODE 11130 SHEET 1 OF 1