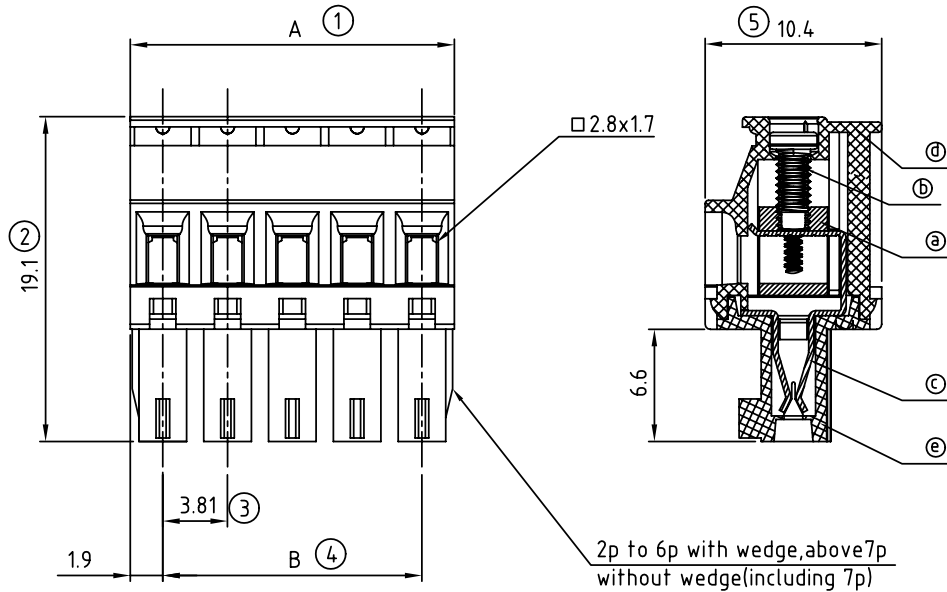
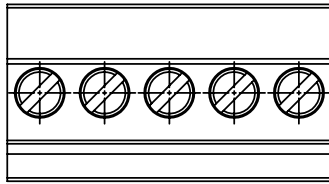


SIGN	DATE	DESCRIPTION	APPROVER
△	8/07'06	Added VDE standard	梁仁松
△	2010.11.29	The tolerance is changed	Jacke

*THIS IS CAD DRAWING, DO NOT REVISE MANUALLY!!!*



**Material**

- Item① Clamp: Brass(CuZn),Nickel plated
- Item② Terminal screw: Steel Zinc plating "-" slot type
- Item③ Female contact: PhBz, Tin plated
- Item④ Terminal (housing): Thermoplastic (UL94V-0)
- Item⑤ Terminal (cover): Thermoplastic (UL94V-0)

△ Electrical cULus/VDE

- Voltage rating: 300VAC/300VAC
- Current rating: 8A/10A
- Wire range: 1.5mm<sup>2</sup>
- Solid wire(AWG): 16-28
- Stranded wire(AWG): 16-28
- Torque: 1.7Lb-In./0.2Nm
- Screw: M2
- Wire strip length: 6-7mm
- Withstanding Voltage: 1.6KV/2.5KV
- Operating temperature: -40°C to +115°C
- Safety approval: cULus VDE

**TS xx 3 1 x A xxxx G**

No. OF POLES ← TS → RoHS pb<40 , 000ppm

02: 2 POLES  
:  
:  
24: 24 POLES

Color → 0000 Standard @ Logo  
000A Standard ANY Logo  
Any special item by customer request, please contact sales department.

0 Black (RAL9005)  
2 Red (RAL3001/D)  
3 Orange(RAL2011/P)  
4 Yellow(RAL1018/A)  
5 Green(RAL6018/T)  
6 Blue (RAL5015/A)  
8 Grey(RAL7035/D)

2p to 6p with wedge, above 7p without wedge(including 7p)

DIMENSION  
N = Number of contacts

A	NX3.81
B	(N-1)X3.81

Poles	Tolerance
2p-6p	±0.15
7p-12p	±0.20
13p-16p	±0.25
17p-24p	±0.30

**ANYTEK**

**CUSTOMER COPY**

ALL RIGHTS RESERVED. REPRODUCTION OR ISSUE TO THIRD PARTIES IN ANY FORM WHATSOEVER IS NOT PERMITTED WITHOUT WRITTEN AUTHORITY FROM THE PROPRIETOR. PROPERTY OF ANYTEK TECHNOLOGY CO., LTD

TITLE		TS-3.81mm Series Without flange (W/latching hooks on the wire entry side)					
PART NO.		TSxx31xAxxxxG			DWG NO.		8TS0301
APPROVED	CHECKED	DESIGNED	DRAWN	CUST NO.		Tolerance	
		Jacke	Marvin			UNIT: mm	X. ±0.50
		2010.11.29	2006.08.07			SCALE: NONE	X.X ±0.30
				SHEET: 01/01		REV.: F	X.XX ±0.10
							X° ±1°