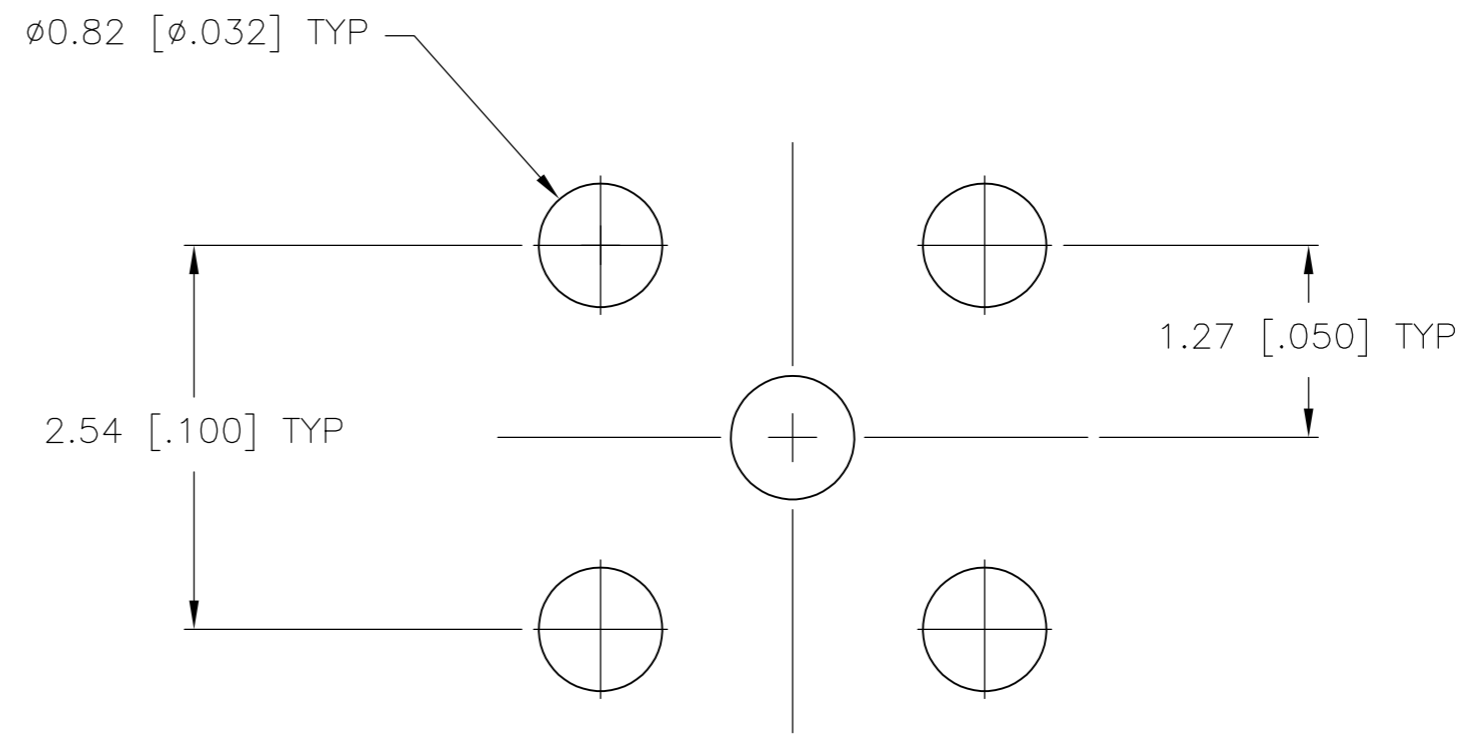
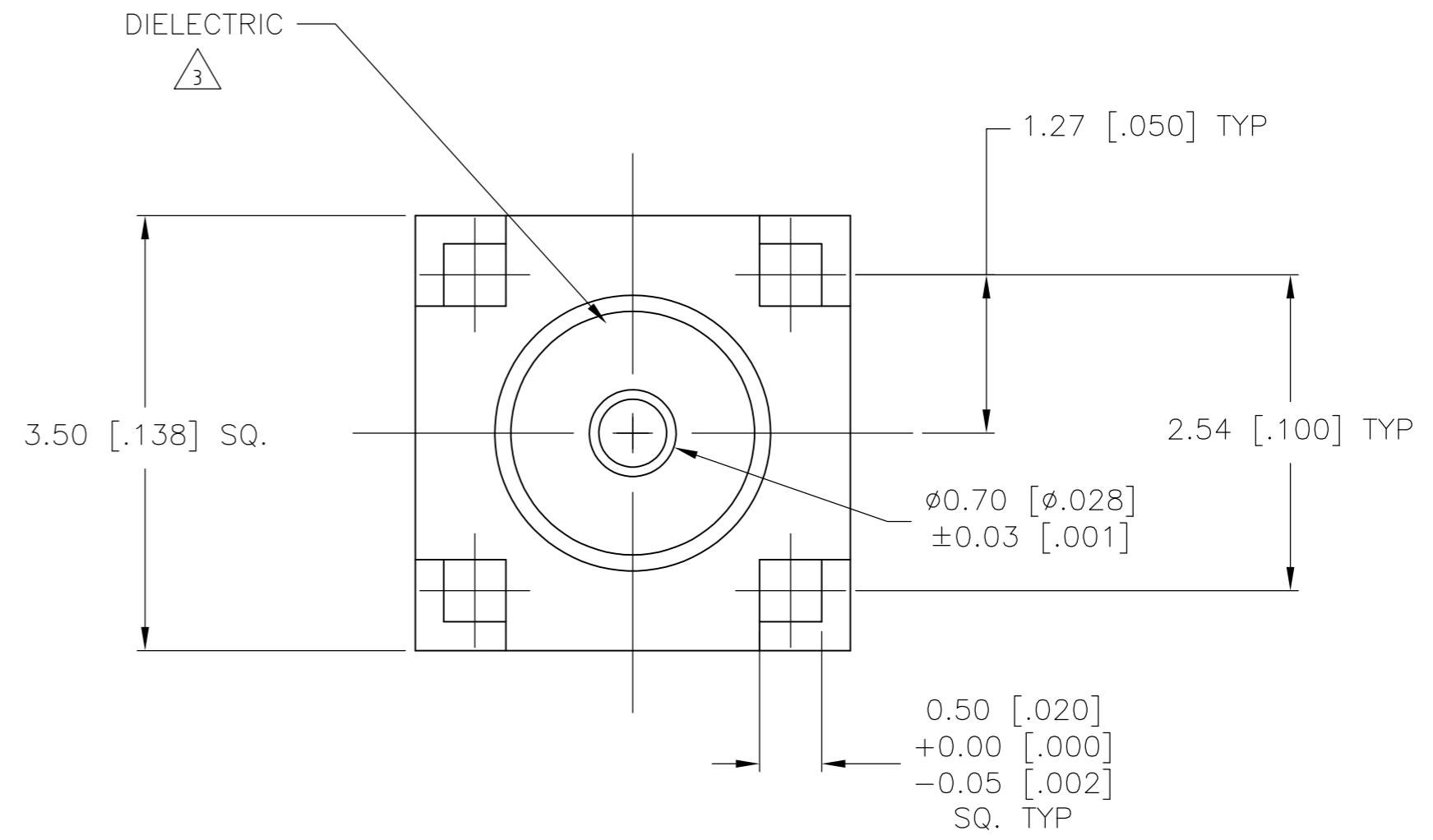
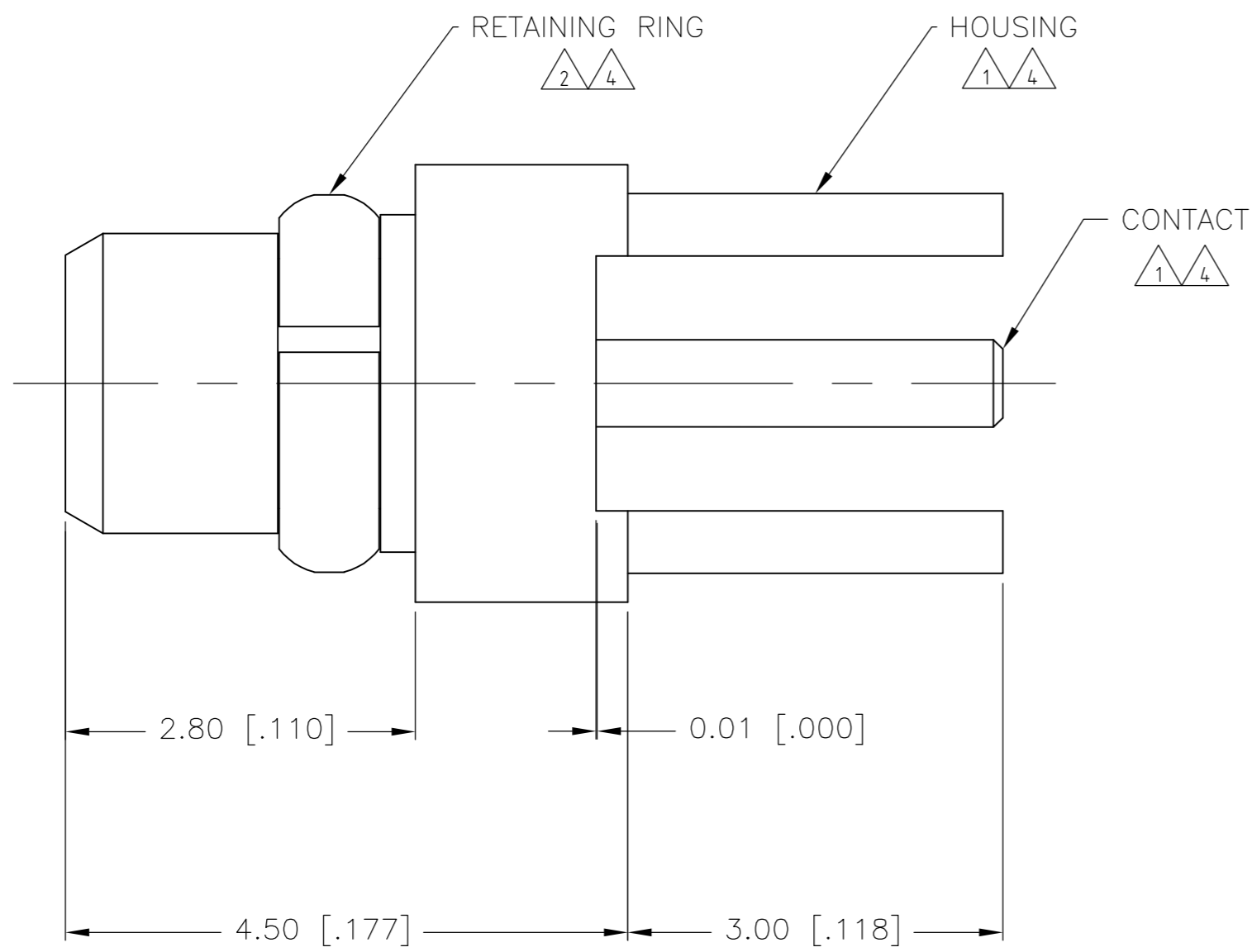


THIS DRAWING IS UNPUBLISHED. RELEASED FOR PUBLICATION
 © COPYRIGHT - By - ALL RIGHTS RESERVED.

LOC		DIST		REVISIONS			
P	LTR	DESCRIPTION		DATE	DWN	APVD	
	B1	REVISED PER ECO-11-005030		11MAR11	RK	HMR	



RECOMMENDED PCB LAYOUT
 TOLERANCE ±0.08 [.003]

- 1 BRASS PER ASTM-B-16
- 2 BERYLLIUM COPPER PER ASTM-B-196
- 3 PTFE PER ASTM-D-1710
- 4 GOLD PLATE PER ASTM-B488
- 5. PRODUCT HAS NOT COMPLETED QUALIFICATION TESTING.

1408496-1

PART NUMBER

THIS DRAWING IS A CONTROLLED DOCUMENT.		DWN	K. WEIDNER	17JUN03	TE Connectivity NAME MMCX STRAIGHT PCB PLUG					
DIMENSIONS:		CHK	K. WEIDNER	05APR04				SIZE	CAGE CODE	DRAWING NO
mm [INCHES]		APVD	K. WEIDNER	05APR04				A2	00779	C=1408496
TOLERANCES UNLESS OTHERWISE SPECIFIED:		PRODUCT SPEC	108-2084					RESTRICTED TO	-	
0 PLC ± -		APPLICATION SPEC	-		SCALE	20:1	SHEET	1 OF 1		
1 PLC ± 0.26 [.010]		WEIGHT	-		REV	B1				
2 PLC ± 0.13 [.005]		CUSTOMER DRAWING								
3 PLC ± -										
4 PLC ± -										
ANGLES ± 1°										
FINISH										