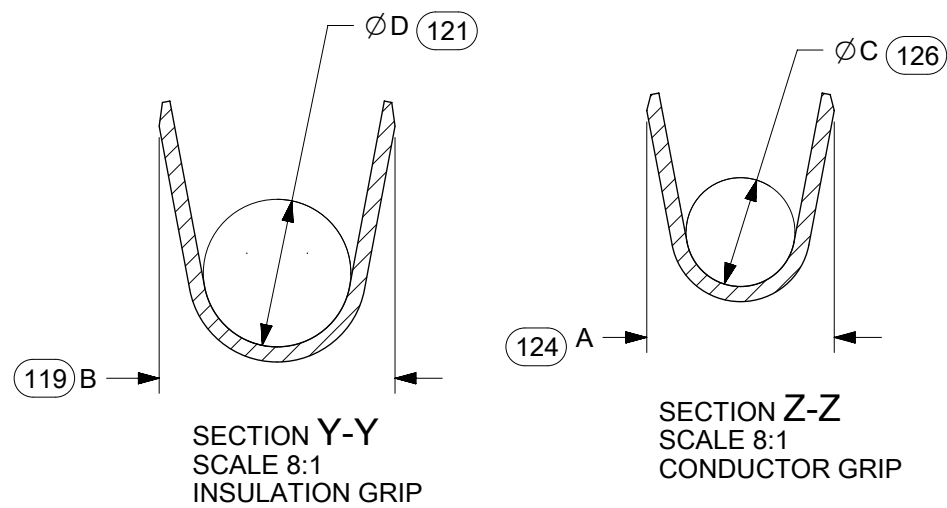
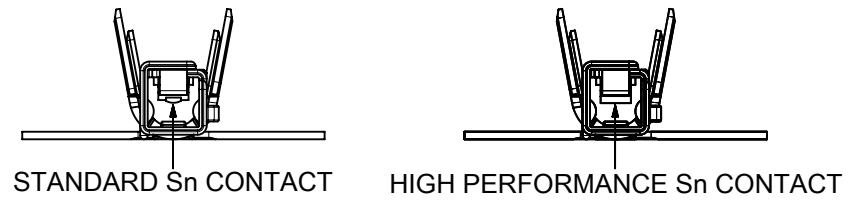
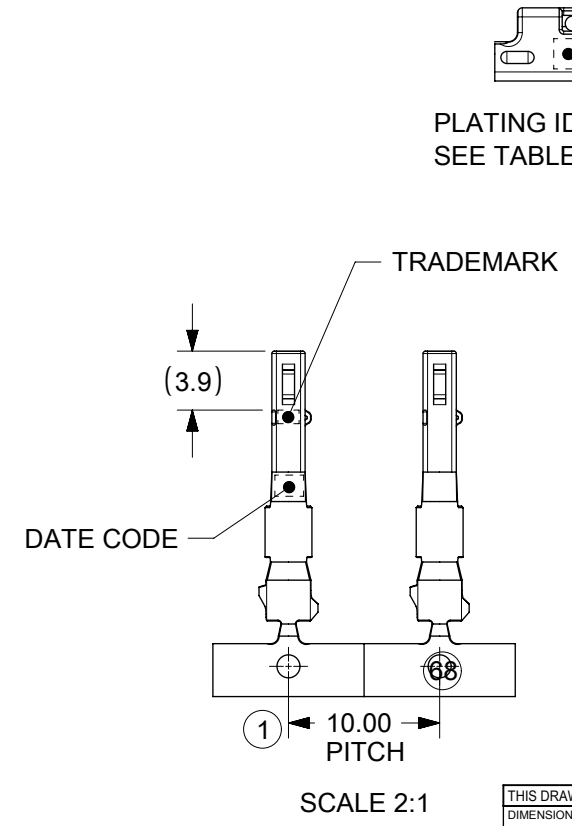
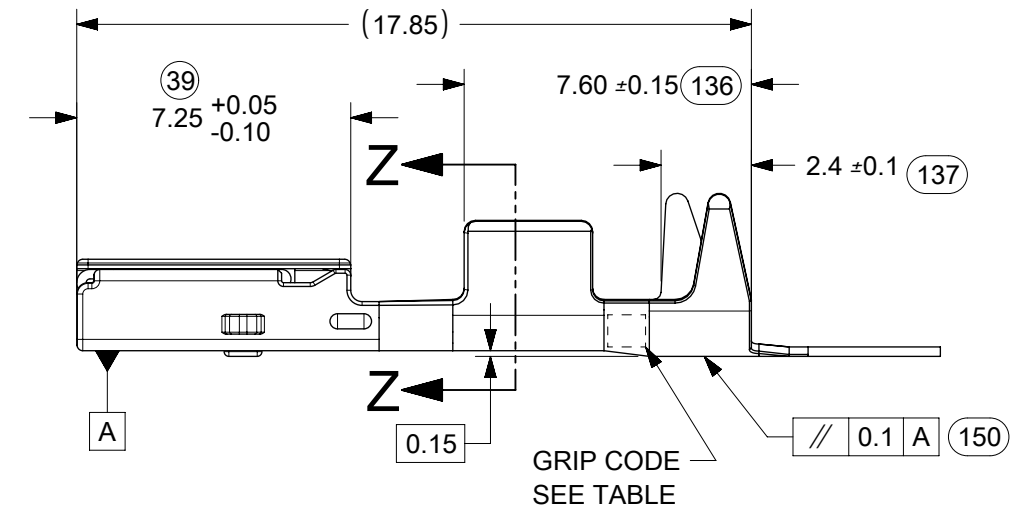
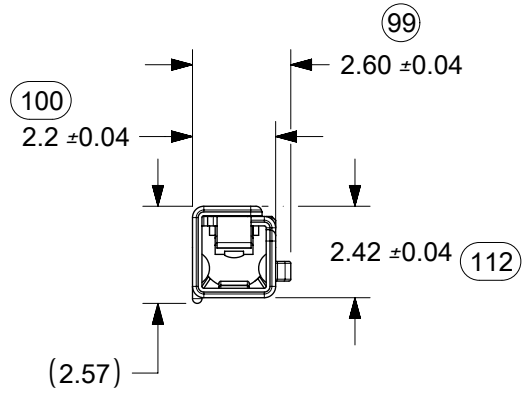
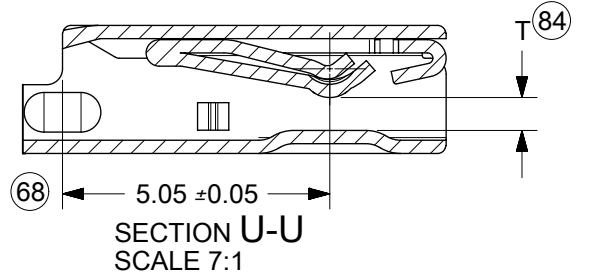
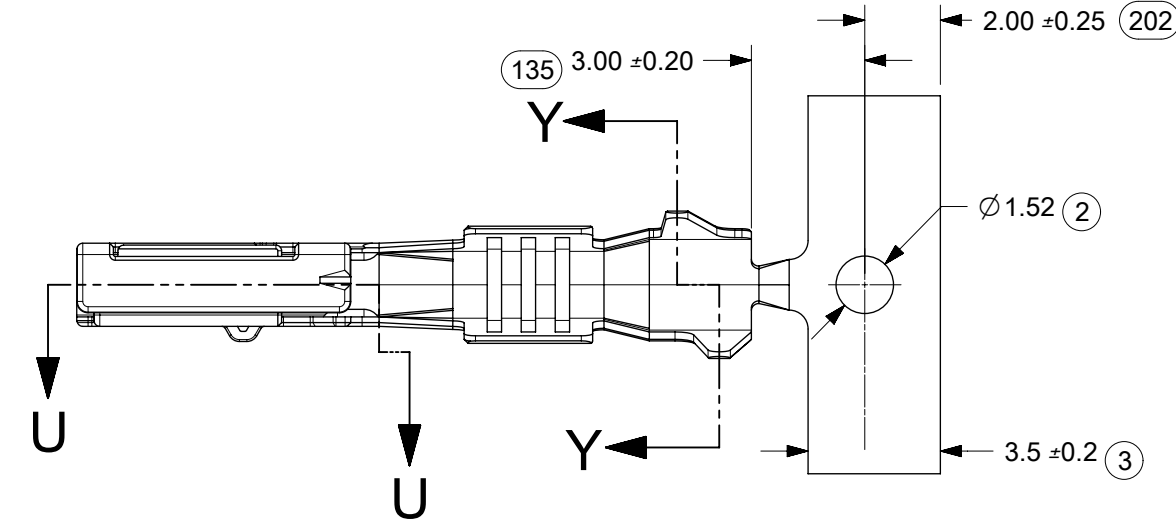


ISO VIEWS
NOT TO SCALE

TABLE														
PART NUMBERS		GRIP	WIRE GAUGE		PLATING		VERSION	LUBRICATION	DIM A ±0.2	DIM B ± 0.3	DIM ØC ± 0.1	DIM ØD ± 0.1	DIM T	
D-WIND (LEFT PAYOFF)	B-WIND (RIGHT PAYOFF)		METRIC	SAE AWG	TYPE	ID								
34805-0111	34805-0211	S	0.30-0.50	22	TIN	NO MARK	STANDARD	NO	2	2.6	1	1.54	0.62 ± 0.03	
34805-0112	34805-0212	M	0.75-1.25	20/18	(Sn)				2.6	3.2	1.5	1.98		
34805-0113	34805-0213	L	1.25-2.00	16/14					3.1	3.9	1.8	2.44		
34805-0411	34805-0511	S	0.35 - 0.50	-	TIN	0.1 mm RND INDENT	HIGH PERFORMANCE (HP)	YES SEE NOTE 5	2	2.6	1	1.54	0.62 +0.03 -0.06	
34805-0412	34805-0512	M	0.75 - 1.25	-	(Sn)				2.6	3.2	1.5	1.98		
34805-0413	34805-0513	L	1.25 - 2.00	-					3.1	3.9	1.8	2.44		

- NOTES: (UNLESS OTHERWISE SPECIFIED)
1. MATERIAL: COPPER ALLOY
 2. PACKAGING PER SD-31301-053
 3. CRIMPING PER AS-502307-001
 4. PROBING IS NOT PERMITTED AT ANY LOCATION ON TERMINAL CONTACT SURFACES
 5. 760G IN CONTACT AREA ONLY



THIS DRAWING CONTAINS INFORMATION THAT IS PROPRIETARY TO MOLEX ELECTRONIC TECHNOLOGIES, LLC AND SHOULD NOT BE USED WITHOUT WRITTEN PERMISSION

DIMENSION UNITS mm	SCALE 4:1	CURRENT REV DESC: ADDED HIGH PERFORMANCE SN VERSION TO DRAWING. MIGRATED DRAWING TO NX	molex		
GENERAL TOLERANCES (UNLESS SPECIFIED)		EC NO: 640936			
ANGULAR TOL ± 1.0°		DRWN: RMV02 2020/07/06	PRODUCT CUSTOMER DRAWING		
4 PLACES ±		CHK'D: TOMSMITH 2020/07/07	DOCUMENT NUMBER		
3 PLACES ± 0.08		APPR: JCUATACERVAN 2020/07/15	SD-34805-001		DOC TYPE DOC PART REVISION
2 PLACES ± 0.08		INITIAL REVISION:	PSD 001 D		
1 PLACE ± 0.08		DRWN: SWLUO 2011/03/30	MATERIAL NUMBER CUSTOMER SHEET NUMBER		
0 PLACES ±		APPR: BMOSER 2011/04/11	SEE NOTES GENERAL MARKET		1 OF 1
DRAFT WHERE APPLICABLE MUST REMAIN WITHIN DIMENSIONS	THIRD ANGLE PROJECTION	DRAWING SERIES	B-SIZE 34805		