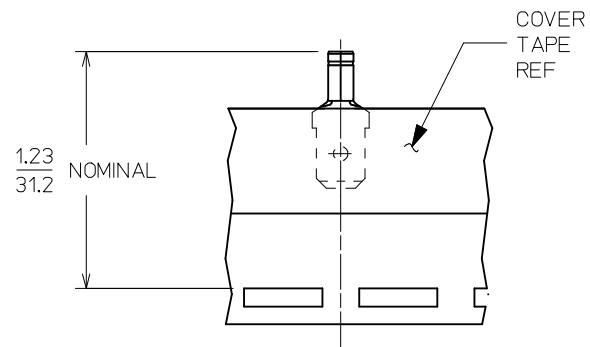
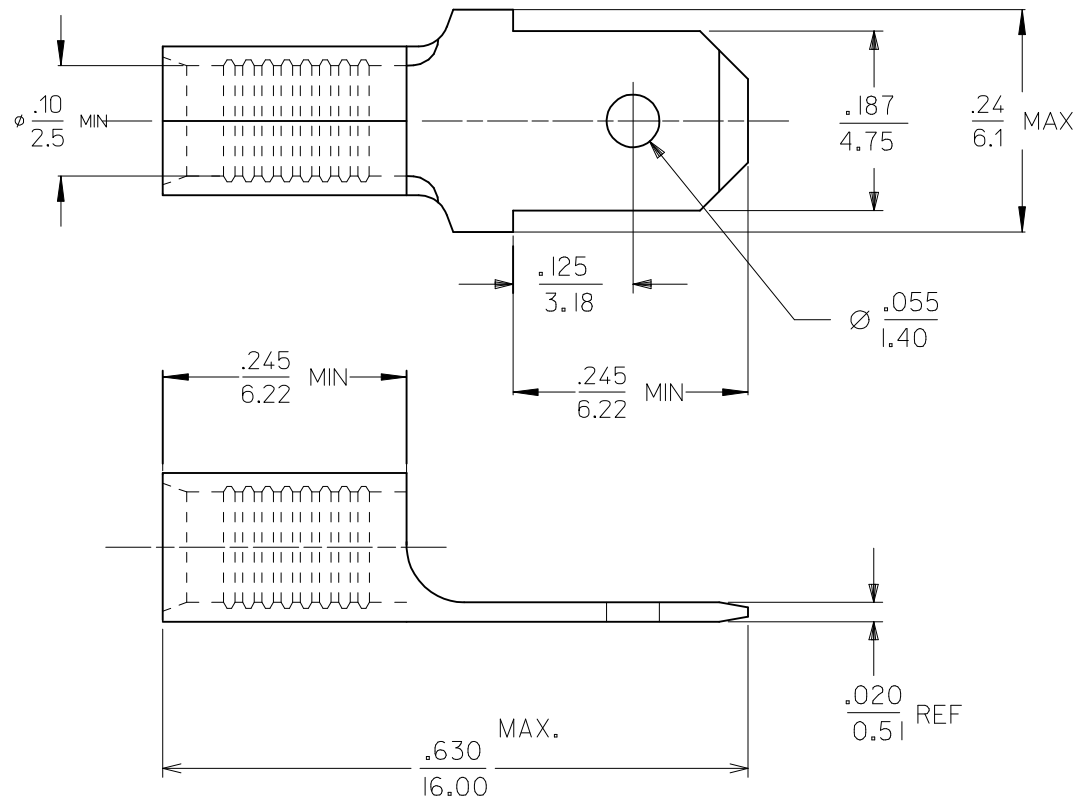


13	12	11	10	9	8	7	6	5	4	3	2	1
MATERIAL NUMBER	ENGINEERING NUMBER	FINISH	CARRIER									
190220123	MCT-17SN	TIN PLATING	LOOSE PIECE									
190220124	MCT-17SNT		TAPE MOUNTED									



190220124 (MCT-17SNT)
PARTS ON TAPE

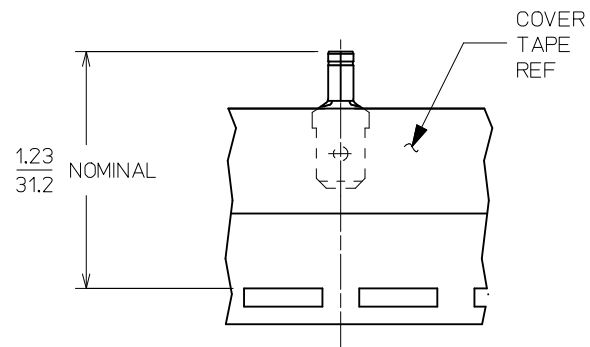


NOTES:

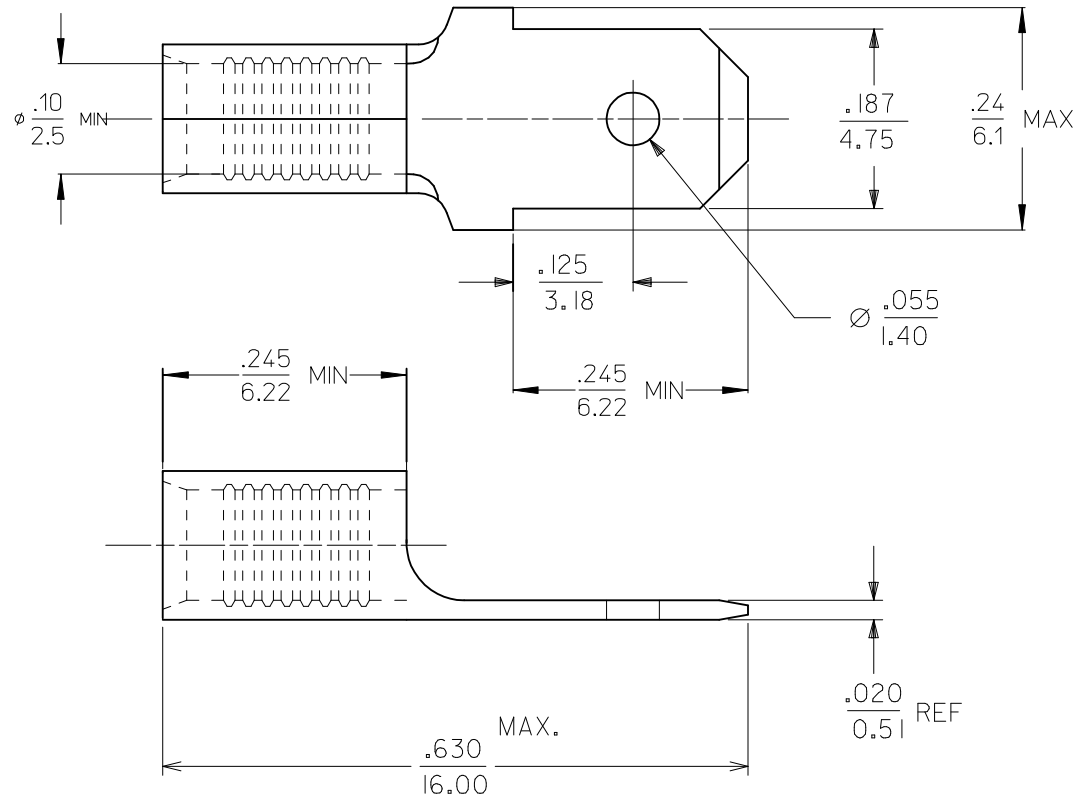
1. MATERIAL: BRASS
2. FINISH: SEE CHART
3. WIRE SIZE: 16-14 AWG (1.23-1.94 mm²)
4. TAB DIMENSIONS CONFORM TO UL310 SPECIFICATIONS.
5. PART IS ROHS COMPLIANT.

RELEASE TO PROD. EC NO: IPG2017-0615 DRAWN: DMYRICK 2016/12/20 CHKD: JMACNEIL APPR: JMACNEIL 2016/12/20	QUALITY SYMBOLS	GENERAL TOLERANCES (UNLESS SPECIFIED)		DIMENSION STYLE IN/MM		SCALE 10:1	DESIGN UNITS INCH	THIRD ANGLE PROJECTION	
	$\nabla = 0$	mm	INCH	DRAWN BY DMYRICK	DATE 2016/12/20	TITLE MALE CONNECTOR TERMINAL LONG BARREL .187" X .020", 16-14 AWG			
	$\nabla = 0$	4 PLACES \pm ---	\pm ---	CHECKED BY	DATE				
	$\nabla = 0$	3 PLACES \pm ---	$\pm .005$	APPROVED BY JMACNEIL					
	2 PLACES ± 0.13	$\pm .01$	MATERIAL NO.		DOCUMENT NO.	SHEET NO.			
	1 PLACE ± 0.25	\pm ---	DRAFT WHERE APPLICABLE MUST REMAIN WITHIN DIMENSIONS		SIZE C	THIS DRAWING CONTAINS INFORMATION THAT IS PROPRIETARY TO MOLEX INCORPORATED AND SHOULD NOT BE USED WITHOUT WRITTEN PERMISSION			
	0 PLACE \pm ---	\pm ---	ANGULAR $\pm 1^\circ$		SEE CHART		SD-19022-020		1 OF 1

13	12	11	10	9	8	7	6	5	4	3	2	1
MATERIAL NUMBER	ENGINEERING NUMBER	FINISH	CARRIER									
190220123	MCT-17SN	TIN PLATING	LOOSE PIECE									
190220124	MCT-17SNT		TAPE MOUNTED									



190220124 (MCT-17SNT)
PARTS ON TAPE



NOTES:

1. MATERIAL: BRASS
2. FINISH: SEE CHART
3. WIRE SIZE: 16-14 AWG (1.23-1.94 mm²)
4. TAB DIMENSIONS CONFORM TO UL310 SPECIFICATIONS.
5. PART IS ROHS COMPLIANT.

RELEASE TO PROD. EC NO: IPG2017-0615 DRAWN: DMYRICK 2016/12/20 CHKD: JMACNEIL APPR: JMACNEIL 2016/12/20	QUALITY SYMBOLS $\nabla = 0$ $\nabla = 0$ $\nabla = 0$	GENERAL TOLERANCES (UNLESS SPECIFIED)		DIMENSION STYLE		SCALE	DESIGN UNITS	THIRD ANGLE PROJECTION		
				IN/MM		10:1	INCH			
				DRAWN BY	DATE	TITLE				
				CHECKED BY	DATE	MALE CONNECTOR TERMINAL LONG BARREL .187" X .020", 16-14 AWG				
				APPROVED BY	DATE	molex				
				JMACNEIL	2016/12/20	SD-19022-020		SHEET NO. 1 OF 1		
				ANGULAR $\pm 1^\circ$		DOCUMENT NO.				
				DRAFT WHERE APPLICABLE MUST REMAIN WITHIN DIMENSIONS		SEE CHART				
				SIZE C		THIS DRAWING CONTAINS INFORMATION THAT IS PROPRIETARY TO MOLEX INCORPORATED AND SHOULD NOT BE USED WITHOUT WRITTEN PERMISSION				