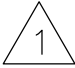

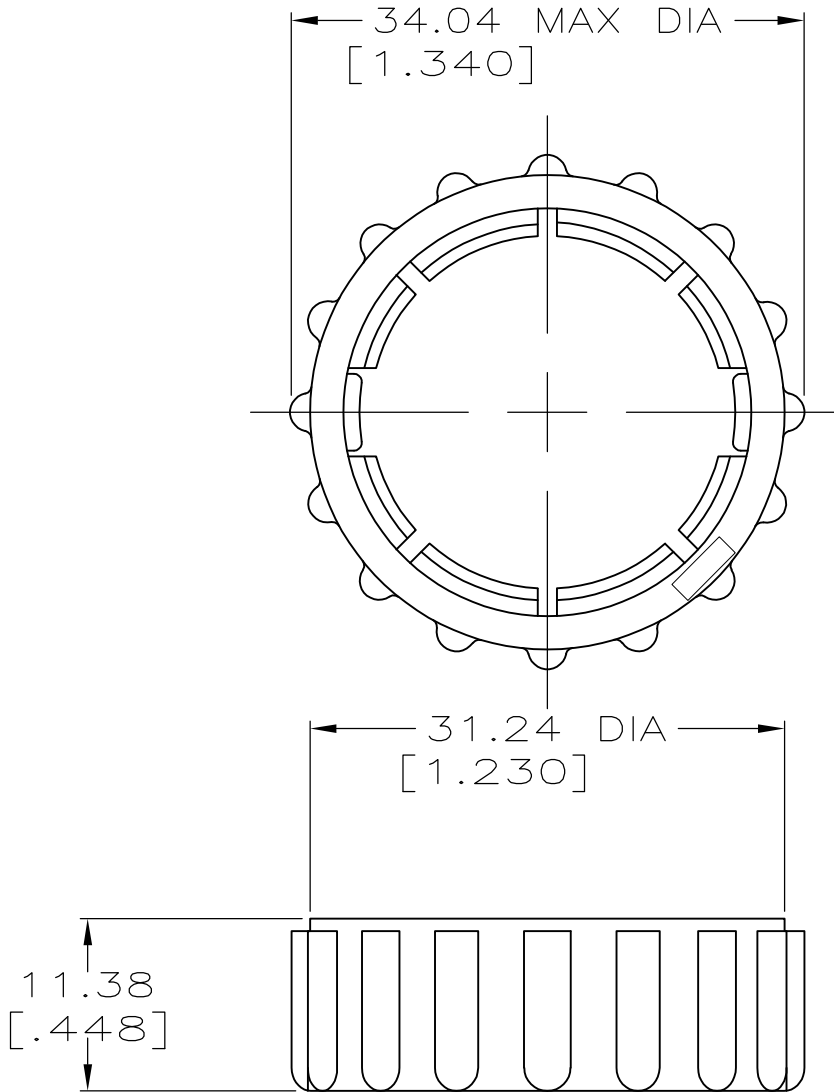


LOC	DIST	REVISIONS					
FT	4	P	LTR	DESCRIPTION	DATE	DWN	APVD
		B1		REVISED PER ECO-11-012039	14JUN11	HMR	DR

 UL RATED, UV(f1) MATERIAL
 PRELIMINARY PART NUMBER




POLYAMIDE BLACK	213810-3
POLYESTER BLACK	213810-1
MATERIAL	PART NUMBER

RELEASED FOR PUBLICATION

ALL RIGHTS RESERVED.

THIS DRAWING IS UNPUBLISHED.

© COPYRIGHT - By -

DIMENSIONS: INCHES TOLERANCES UNLESS OTHERWISE SPECIFIED: 0 PLC ± - 1 PLC ± - 2 PLC ± 0.25 [.010] 3 PLC ± - 4 PLC ± - ANGLES ± -	DWN D.HARDY 06/20/95	MATERIAL	SEE TABLE	FINISH	-				
	CHK R.STONE 06/21/95	 TE Connectivity							
APVD R.BYERS 06/21/95	NAME COUPLING RING, SIZE 17, CPC								
PRODUCT SPEC	-	SIZE	A4	CAGE CODE	00779	DRAWING NO	C-213810	RESTRICTED TO	-
APPLICATION SPEC	-	CUSTOMER DRAWING		SCALE	2:1	SHEET	1 OF 1	REV	B1
WEIGHT	-								

