

4

3

2

1

THIS DRAWING IS UNPUBLISHED.

RELEASED FOR PUBLICATION

20

© COPYRIGHT 20 BY -

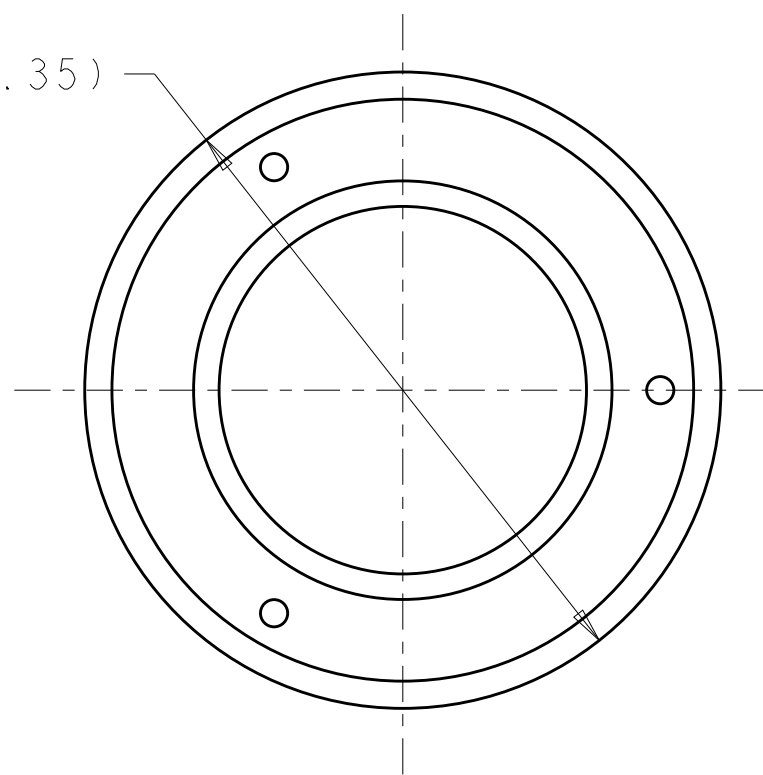
ALL RIGHTS RESERVED.

LOC
FX DIST
00

REVISIONS

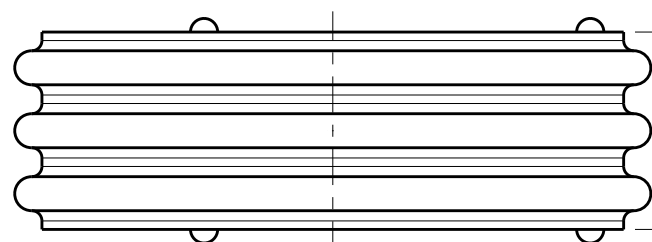
P	LTR	DESCRIPTION	DATE	DWN	APVD
	C	REVISED PER ECO-12-020436	21NOV2012	DLD	MPT

(Ø 9.35)



1. MATERIAL: RUBBER
COLOR: RED

(2.90)



RED	1924582-2
COLOR/CODE	PART NUMBER

THIS DRAWING IS A CONTROLLED DOCUMENT.

DIMENSIONS: mm	TOLERANCES UNLESS OTHERWISE SPECIFIED:
	0 PLC ± 1 PLC ±0.3 2 PLC ±0.25 3 PLC ± 4 PLC ± ANGLES ±° 30'
MATERIAL -	FINISH -

DWN SCOTT CROSS 15OCT2009	 TE Connectivity NAME SEAL, JACKSCREW
CHK SCOTT CROSS 15OCT2009	
APVD DAVE KLEIN 15OCT2009	
PRODUCT SPEC -	
APPLICATION SPEC -	RESTRICTED TO -
WEIGHT -	SCALE 6:1
Customer Drawing	SHEET 1 OF 1 REV C

SIZE A3	CAGE CODE 00779	DRAWING NO C-1924582	RESTRICTED TO -
SCALE 6:1		SHEET 1	OF 1
REV C			