

# Promotion Kit S5D9 (PK-S5D9)

User's Manual

Renesas Synergy™ Platform  
Synergy Tools & Kits  
Kits: PK-S5D9 v1.0

All information contained in these materials, including products and product specifications, represents information on the product at the time of publication and is subject to change by Renesas Electronics Corp. without notice. Please review the latest information published by Renesas Electronics Corp. through various means, including the Renesas Electronics Corp. website (<http://www.renesas.com>).

## Notice

1. Descriptions of circuits, software and other related information in this document are provided only to illustrate the operation of semiconductor products and application examples. You are fully responsible for the incorporation or any other use of the circuits, software, and information in the design of your product or system. Renesas Electronics disclaims any and all liability for any losses and damages incurred by you or third parties arising from the use of these circuits, software, or information.
2. Renesas Electronics hereby expressly disclaims any warranties against and liability for infringement or any other disputes involving patents, copyrights, or other intellectual property rights of third parties, by or arising from the use of Renesas Electronics products or technical information described in this document, including but not limited to, the product data, drawing, chart, program, algorithm, application examples.
3. No license, express, implied or otherwise, is granted hereby under any patents, copyrights or other intellectual property rights of Renesas Electronics or others.
4. You shall not alter, modify, copy, or otherwise misappropriate any Renesas Electronics product, whether in whole or in part. Renesas Electronics disclaims any and all liability for any losses or damages incurred by you or third parties arising from such alteration, modification, copy or otherwise misappropriation of Renesas Electronics products.
5. Renesas Electronics products are classified according to the following two quality grades: "Standard" and "High Quality". The intended applications for each Renesas Electronics product depends on the product's quality grade, as indicated below.  
"Standard": Computers; office equipment; communications equipment; test and measurement equipment; audio and visual equipment; home electronic appliances; machine tools; personal electronic equipment; and industrial robots etc.  
"High Quality": Transportation equipment (automobiles, trains, ships, etc.); traffic control (traffic lights); large-scale communication equipment; key financial terminal systems; safety control equipment; etc.

Renesas Electronics products are neither intended nor authorized for use in products or systems that may pose a direct threat to human life or bodily injury (artificial life support devices or systems, surgical implantations etc.), or may cause serious property damages (space and undersea repeaters; nuclear power control systems; aircraft control systems; key plant systems; military equipment; etc.). Renesas Electronics disclaims any and all liability for any damages or losses incurred by you or third parties arising from the use of any Renesas Electronics product for which the product is not intended by Renesas Electronics.

6. When using the Renesas Electronics products, refer to the latest product information (data sheets, user's manuals, application notes, "General Notes for Handling and Using Semiconductor Devices" in the reliability handbook, etc.), and ensure that usage conditions are within the ranges specified by Renesas Electronics with respect to maximum ratings, operating power supply voltage range, heat radiation characteristics, installation, etc. Renesas Electronics disclaims any and all liability for any malfunctions or failure or accident arising out of the use of Renesas Electronics products beyond such specified ranges.
7. Although Renesas Electronics endeavors to improve the quality and reliability of Renesas Electronics products, semiconductor products have specific characteristics such as the occurrence of failure at a certain rate and malfunctions under certain use conditions. Further, Renesas Electronics products are not subject to radiation resistance design. Please ensure to implement safety measures to guard them against the possibility of bodily injury, injury or damage caused by fire, and social damage in the event of failure or malfunction of Renesas Electronics products, such as safety design for hardware and software including but not limited to redundancy, fire control and malfunction prevention, appropriate treatment for aging degradation or any other appropriate measures by your own responsibility as warranty for your products/system. Because the evaluation of microcomputer software alone is very difficult and not practical, please evaluate the safety of the final products or systems manufactured by you.
8. Please contact a Renesas Electronics sales office for details as to environmental matters such as the environmental compatibility of each Renesas Electronics product. Please investigate applicable laws and regulations that regulate the inclusion or use of controlled substances, including without limitation, the EU RoHS Directive carefully and sufficiently and use Renesas Electronics products in compliance with all these applicable laws and regulations. Renesas Electronics disclaims any and all liability for damages or losses occurring as a result of your noncompliance with applicable laws and regulations.
9. Renesas Electronics products and technologies shall not be used for or incorporated into any products or systems whose manufacture, use, or sale is prohibited under any applicable domestic or foreign laws or regulations. You shall not use Renesas Electronics products or technologies for (1) any purpose relating to the development, design, manufacture, use, stockpiling, etc., of weapons of mass destruction, such as nuclear weapons, chemical weapons, or biological weapons, or missiles (including unmanned aerial vehicles (UAVs)) for delivering such weapons, (2) any purpose relating to the development, design, manufacture, or use of conventional weapons, or (3) any other purpose of disturbing international peace and security, and you shall not sell, export, lease, transfer, or release Renesas Electronics products or technologies to any third party whether directly or indirectly with knowledge or reason to know that the third party or any other party will engage in the activities described above. When exporting, selling, transferring, etc., Renesas Electronics products or technologies, you shall comply with any applicable export control laws and regulations promulgated and administered by the governments of the countries asserting jurisdiction over the parties or transactions.
10. Please acknowledge and agree that you shall bear all the losses and damages which are incurred from the misuse or violation of the terms and conditions described in this document, including this notice, and hold Renesas Electronics harmless, if such misuse or violation results from your resale or making Renesas Electronics products available any third party.
11. This document shall not be reprinted, reproduced or duplicated in any form, in whole or in part, without prior written consent of Renesas Electronics.
12. Please contact a Renesas Electronics sales office if you have any questions regarding the information contained in this document or Renesas Electronics products.

(Note 1) "Renesas Electronics" as used in this document means Renesas Electronics Corporation and also includes its majority-owned subsidiaries.

(Note 2) "Renesas Electronics product(s)" means any product developed or manufactured by or for Renesas Electronics.

## **Renesas Synergy™ Promotion Kit PK-S5D9 Disclaimer**

By using this PK-S5D9, the user accepts the following terms, which are in addition to, and control in the event of disagreement, with Renesas' General Terms and Conditions available at <https://www.renesas.com/en-us/legal/disclaimer.html>.

The PK-S5D9 is not guaranteed to be error free, and the entire risk as to the results and performance of the PK-S5D9 is assumed by the User. The PK-S5D9 is provided by Renesas on an "as is" basis without warranty of any kind whether express or implied, including but not limited to the implied warranties of satisfactory quality, fitness for a particular purpose, title, and non-infringement of intellectual property rights with regard to the PK-S5D9. Renesas expressly disclaims all such warranties.

Renesas does not consider the PK-S5D9 a finished product and therefore the PK-S5D9 may not yet comply with some requirements applicable to finished products, including, but not limited to recycling (WEEE), CE, UL, restricted substances (ROHS), FCC, FEE, and electromagnetic compatibility regulations. Renesas or its affiliates shall in no event be liable for any loss of profit, loss of data, loss of contract, loss of business, damage to reputation or goodwill, any economic loss, any reprogramming or recall costs (whether the foregoing losses are direct or indirect) nor shall Renesas or its affiliates be liable for any other direct or indirect special, incidental or consequential damages arising out of or in relation to the use of this PK-S5D9, even if Renesas or its affiliates have been advised of the possibility of such damages.

Renesas has used reasonable care in preparing the information included in this document, but Renesas does not warrant that such information is error free nor does Renesas guarantee an exact match for every application or parameter to part numbers designated by other vendors listed herein. The information provided in this document is intended solely to enable the use of Renesas products. No express or implied license to any intellectual property right is granted by this document or in connection with the sale of Renesas products. Renesas reserves the right to make changes to specifications and product descriptions at any time without notice. Renesas assumes no liability for any damages incurred by you resulting from errors in or omissions from the information included herein. Renesas cannot verify, and assumes no liability for, the accuracy of information available on another company's website.

## **Precautions**

This Renesas Synergy™ Promotion Kit is only intended for use in a laboratory environment under ambient temperature and humidity conditions. A safe separation distance should be used between this and any sensitive equipment. Its use outside the laboratory, classroom, study area, or similar such area invalidates conformity with the protection requirements of the Electromagnetic Compatibility Directive and could lead to prosecution.

The product generates, uses, and can radiate radio frequency energy and may cause harmful interference to radio communications. - There is no guarantee that interference will not occur in a particular installation. If this equipment causes harmful interference to radio or television reception, which can be determined by turning the equipment off or on, you are encouraged to try to correct the interference by one or more of the following measures:

- Ensure attached cables do not lie across the equipment.
- Reorient the receiving antenna.
- Increase the distance between the equipment and the receiver.
- Connect the equipment into an outlet on a circuit different from that which the receiver is connected.
- Power down the equipment when not in use.
- Consult the dealer or an experienced radio/TV technician for help.

Note: It is recommended that wherever possible shielded interface cables are used.

The product is potentially susceptible to certain EMC phenomena. To mitigate against them it is recommended that the following measures be undertaken:

- The user is advised that mobile phones should not be used within 10 m of the product when in use.
- The user is advised to take ESD precautions when handling the equipment.

The Renesas Synergy™ Promotion Kit does not represent an ideal reference design for an end product and does not fulfill the regulatory standards for an end product.

# 1. Overview

## 1.1 Features

The PK-S5D9 is a single-board kit for the Renesas Synergy S5D9 Group Microcontrollers (MCUs), with a 176-pin LQFP package. The board provides easy-to-access interfaces to the peripherals of the S5D9 Group MCUs for application development.

The PK-S5D9 includes four header connectors for direct access to the I/O pins in the MCU, and connectors for USB, Ethernet, RS-232/485, and CAN.

The PK-S5D9 incorporates a 2.4-in. QVGA (240 x 320) TFT display with capacitive touch screen.

As a promotion kit, the PK-S5D9 is designed to demonstrate the main features of the Synergy Platform using the S5D9 Group MCUs. This is an initial evaluation platform that you can use to determine which kit is appropriate for further development of your product.

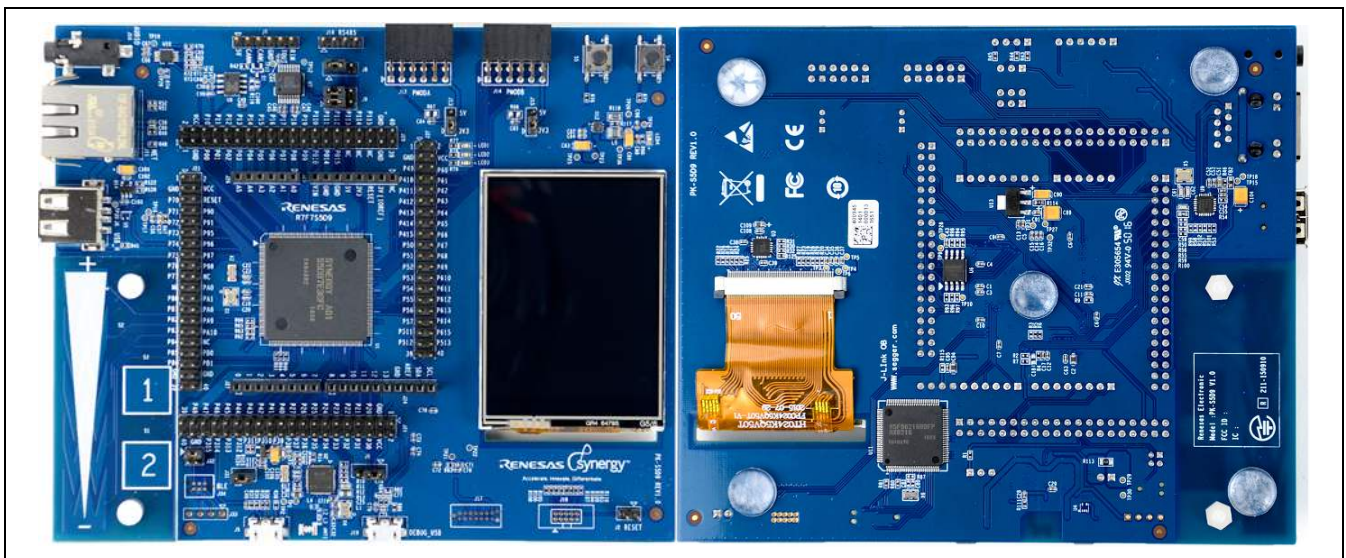


Figure 1.1 PK-S5D9 board

## 1.2 In the Box

The following components are included in the PK-S5D9:

- PK-S5D9 board
- 3-foot USB Type-A to Micro-B cable for debugger and power connection
- Quick Start Guide.

### 1.3 Block Diagram

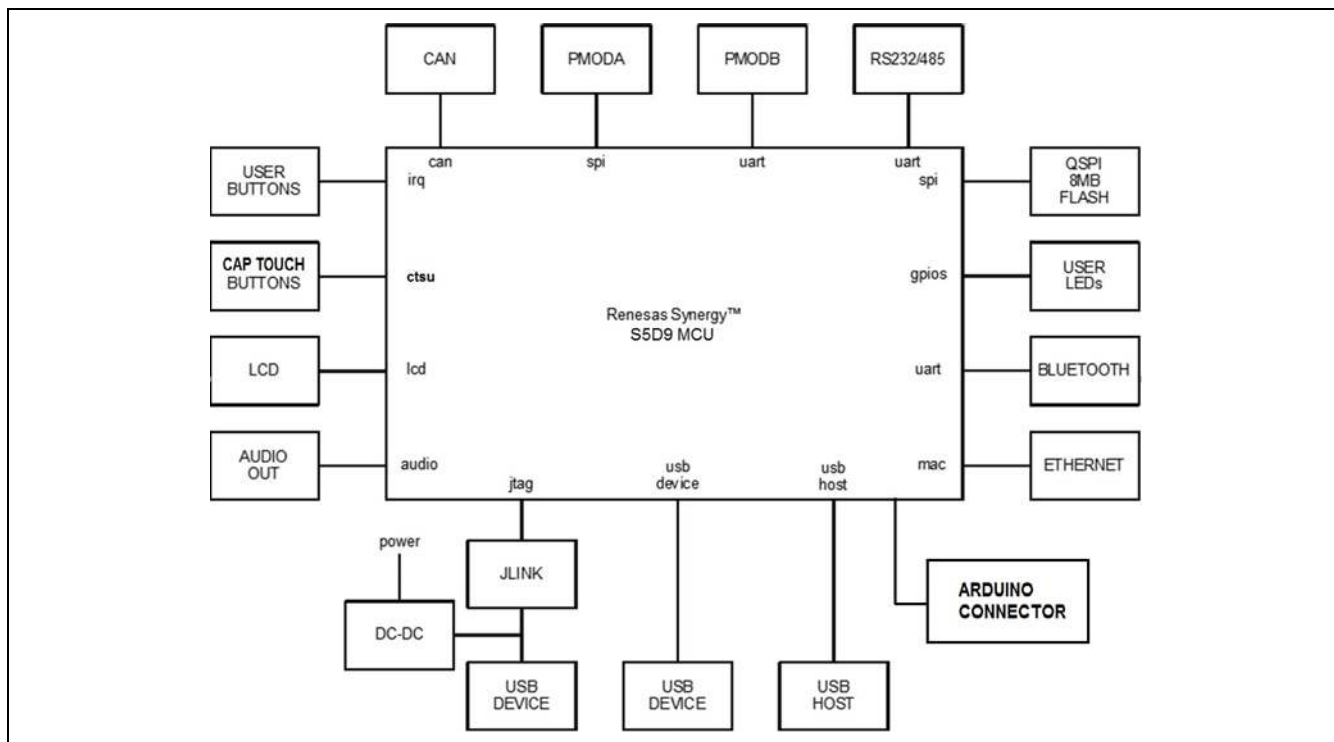


Figure 1.2 PK-S5D9 block diagram

### 1.4 Hardware Features

The PK-S5D9 contains the following hardware:

- S5D9 Group MCUs with a 176 LQFP package
- Four connectors that provide access to most of signals in the S5D9 Group MCUs
- Low cost QVGA TFT touch screen
- Three user LEDs
- Arduino Shield Uno compatible socket
- Two mechanical switches connected directly to S5D9 Group MCUs interrupt pins
- Two capacitive touch-buttons connected to pins that can generate interrupts
- One capacitive touch slider
- Audio output
- QSPI memory (8 MB)
- SPI, IIC, CAN, and SCI interface.

### 1.5 Resources

The following documents are related to S5D9 Group MCUs and PK-S5D9:

- PK-S5D9 Quick Start Guide
- PK-S5D9 Board Schematics
- S5D9 Group Microcontrollers User's Manual
- S5D9 Group Microcontrollers Datasheet.

## 2. Getting Started

To start working with the PK-S5D9, see the Quick Start Guide included in the kit.

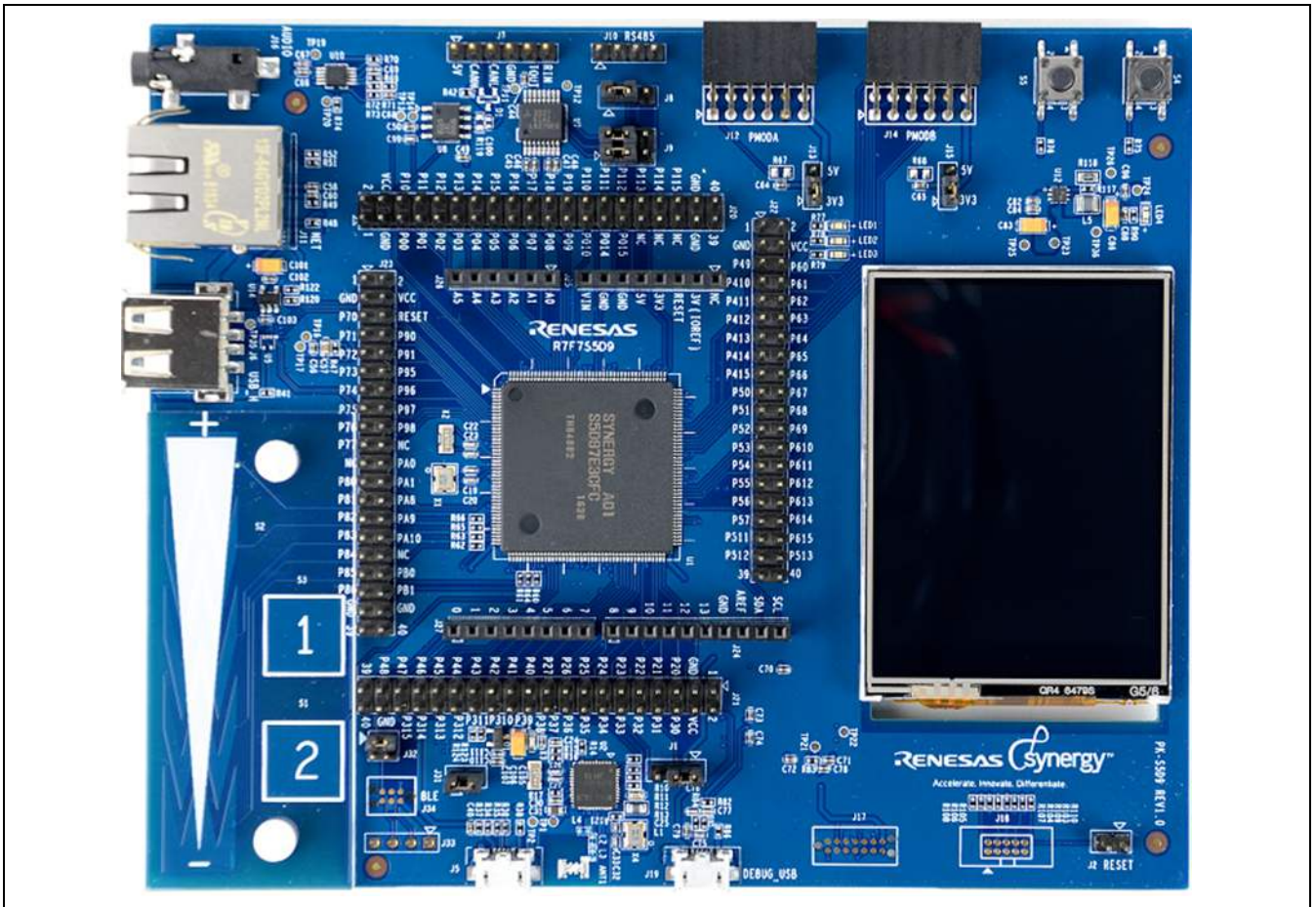


Figure 2.1 PK-S5D9 board close-up



### 3. Power Supply Requirements

#### 3.1 Power Supply

Power is supplied to the PK-S5D9 through the debug USB connector (J19). The PK-S5D9 requires 5V applied on this interface (USB standard). Once power is supplied, the power supply indicator LED4 lights up in green.

#### 3.2 Power-up Behavior

When power is supplied to the PK-S5D9, the power-on reset (POR) monitor of the MCU resets the MCU. The memory from which the MCU starts program execution after reset depends on jumper J1. If J1 is in position 1-2 (default), the MCU starts execution from internal flash (ROM). If J1 is in position 2-3, the MCU starts execution in USB program mode, which enables you to load a program directly to the internal MCU flash through the USB device interface using Renesas RFP software. Figure 3.1 shows the startup mode circuit for the CPU.

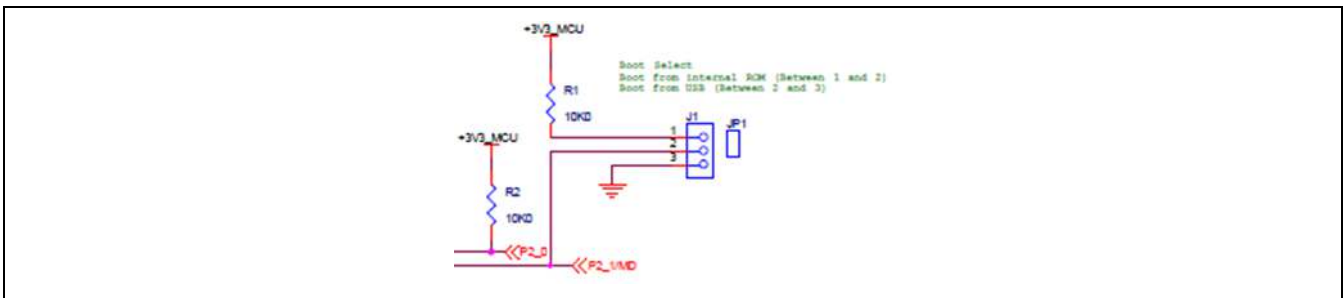


Figure 3.1 CPU startup mode

The J2 jumper can force the MCU to reset. Figure 3.2 shows the CPU reset control circuit.

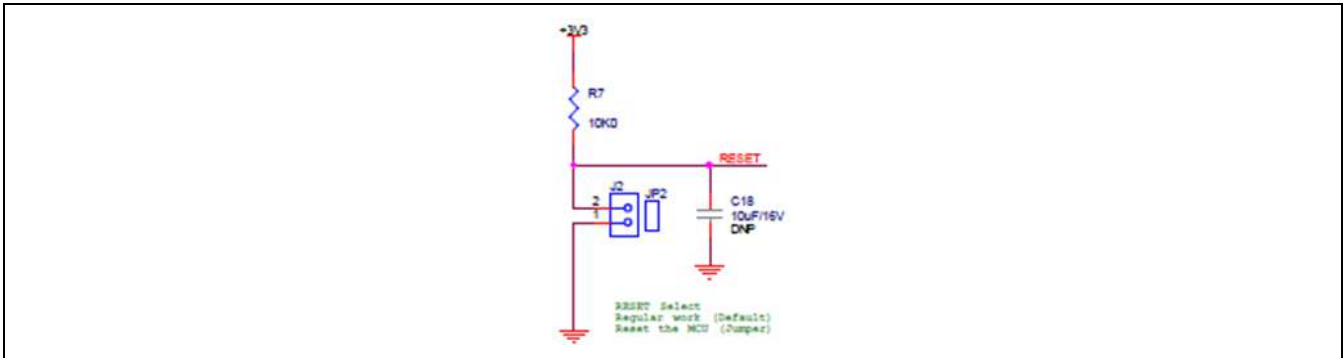


Figure 3.2 CPU reset control

#### 3.3 MCU Current

The MCU digital power supply power consumption can be measured by removing the J31 jumper and measuring the current draw across it as shown in Figure 3.3.

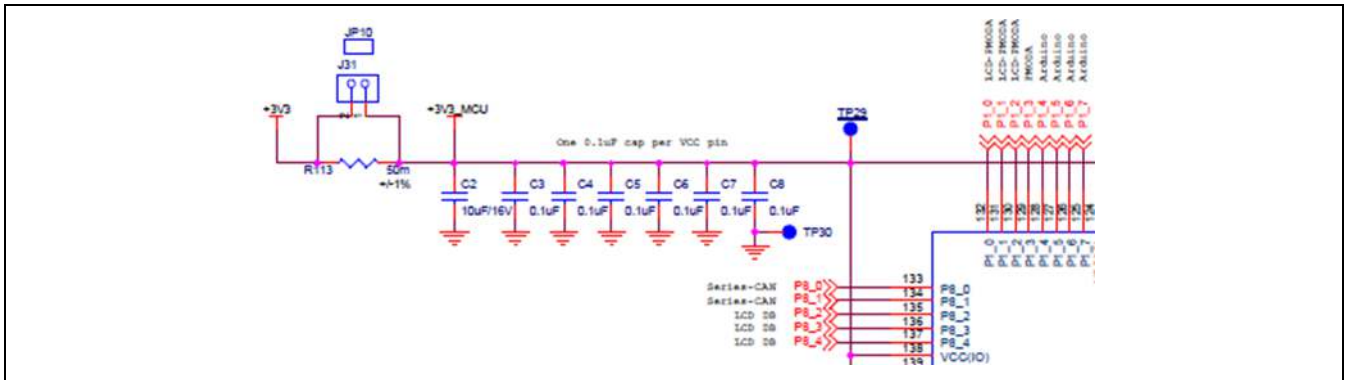


Figure 3.3 Measuring digital current consumption on the MCU

Power consumption for the MCU analog supply requires removing resistor R114 and measuring current across it, as shown in Figure 3.4.

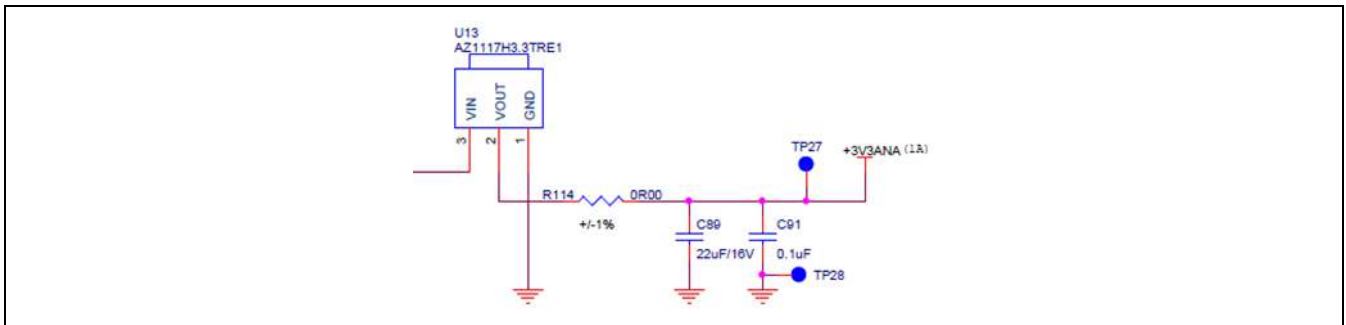


Figure 3.4 Measuring analog current consumption on the MCU



## 4. Board Components

### 4.1 J-Link® On-board Debugger

The PK-S5D9 features a SEGGER J-Link® on-board debugger, accessible through the J19 USB connector. Alternatively, the onboard debugger can be bypassed by removing resistors R107, R108, R109, and R110. Once removed, JTAG/SWD debugging can be done through the J18 header. Figure 4.1 shows the JTAG debugging connections.

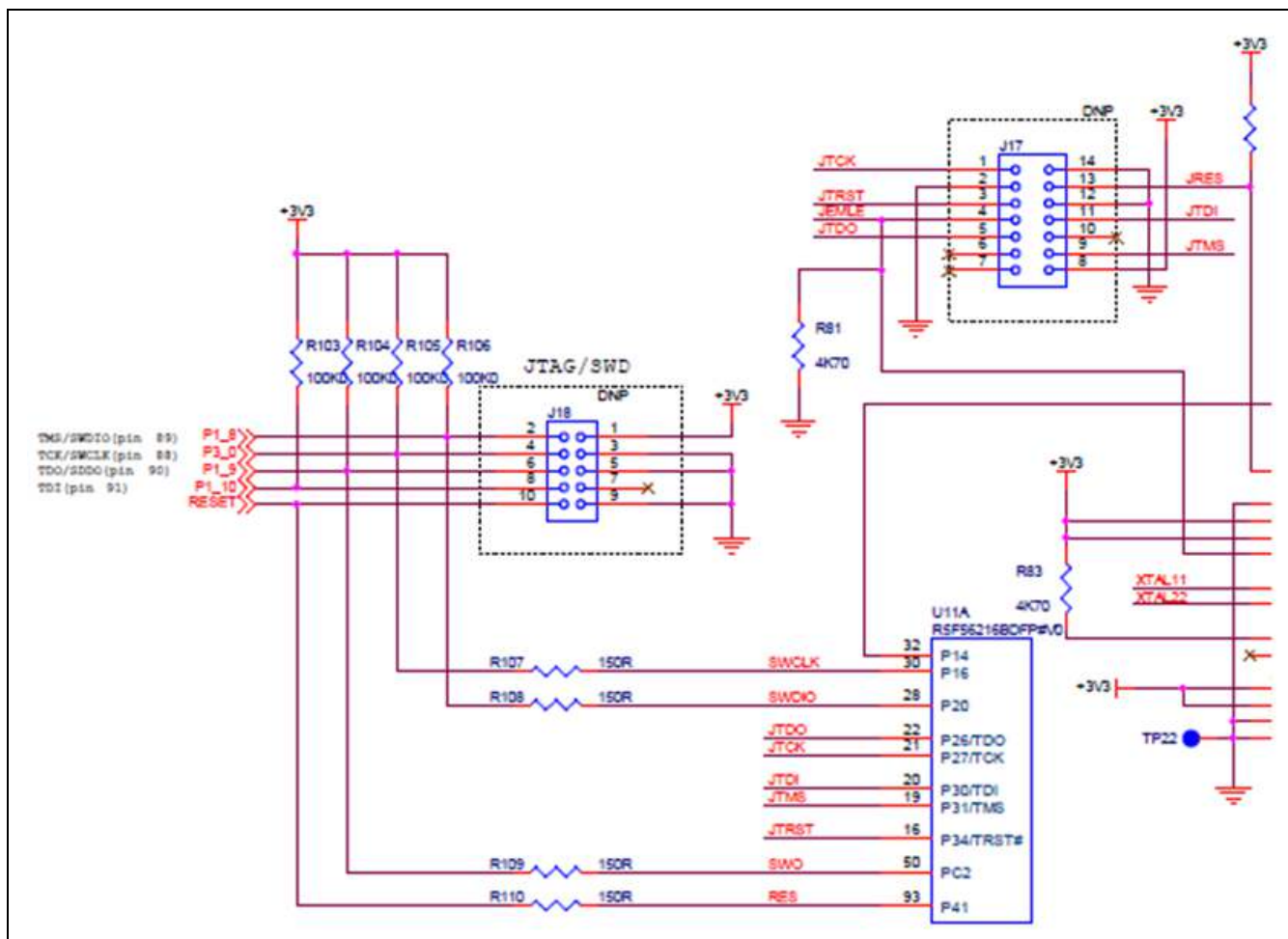


Figure 4.1 On/off-board JTAG debugging

### 4.2 LCD

The PK-S5D9 incorporates a 2.4-in. LCD panel with a touch screen interface. The LCD is connected directly to the LCD interface of the MCU. The LCD panel is a HaoRan HT024K5QV50T, which uses an Ilitek ILI9341V driver IC. The mode of operation of the Ilitek driver is selected with R19, R20, R22, R23, R26, R27, R28 and R29, as shown in Figure 4.2. The default mode of operation is the 4-wire, 8-bit serial interface.

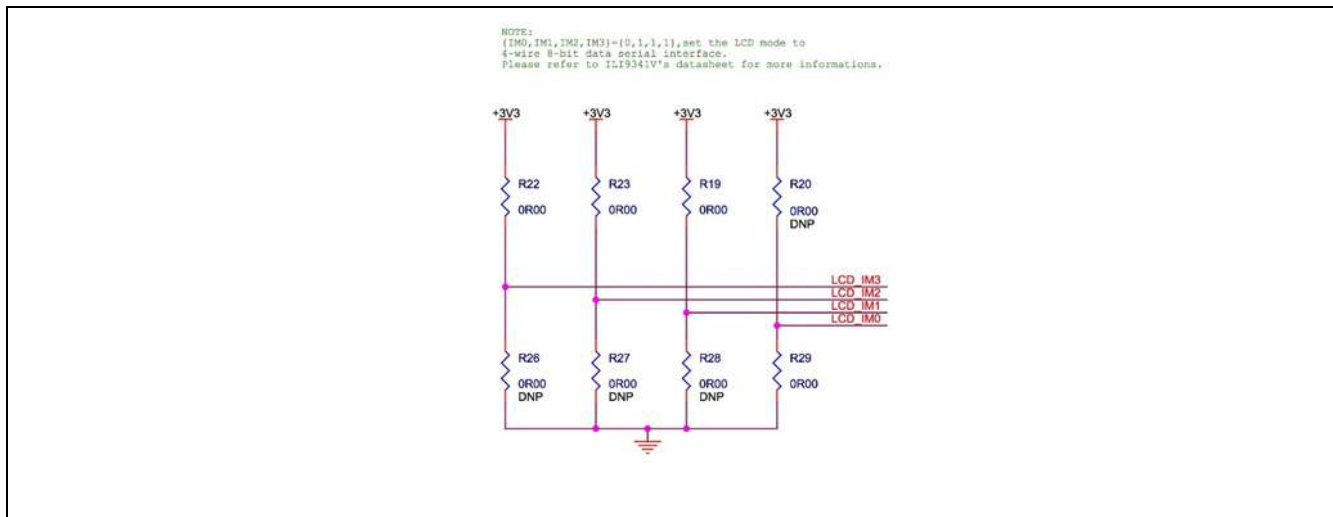


Figure 4.2 LCD interface mode selection

Touch-screen sensing uses a Semtech SX8656 resistive touch-screen controller, connected to the MCU through an I<sup>2</sup>C bus. Figure 4.3 shows the touch-screen controller connections.

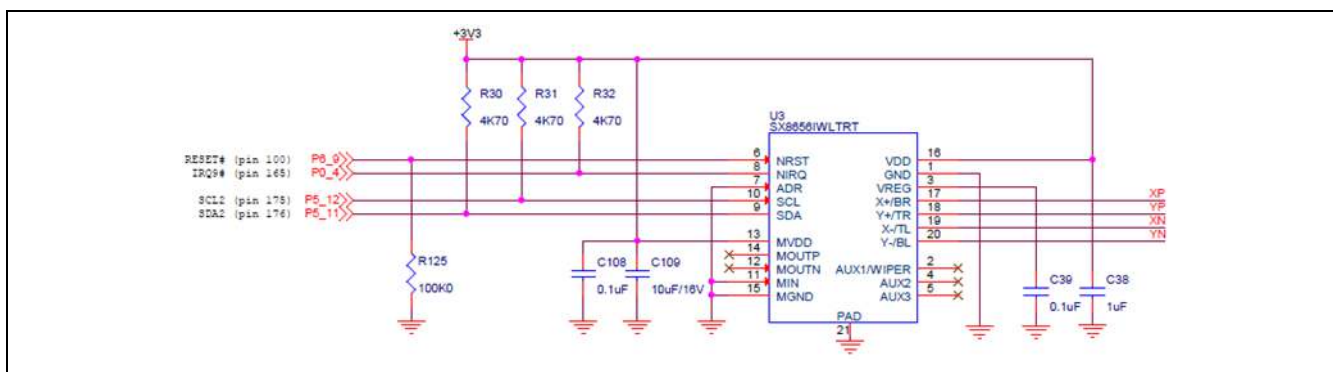


Figure 4.3 Touch-screen controller

### 4.3 Ethernet

The PK-S5D9 includes a Micrel KSZ8081 10/100 Ethernet physical interface. The Ethernet connection is through the RJ-45 standard connector J11.

### 4.4 Pmod-compatible Interfaces

The PK-S5D9 includes two standard Pmod™-compatible interfaces. PMODA, available on the J12 connector, exposes an SPI interface, three GPIO lines, and an interrupt line to the MCU. The PMODA interface connections are shown in Figure 4.4.

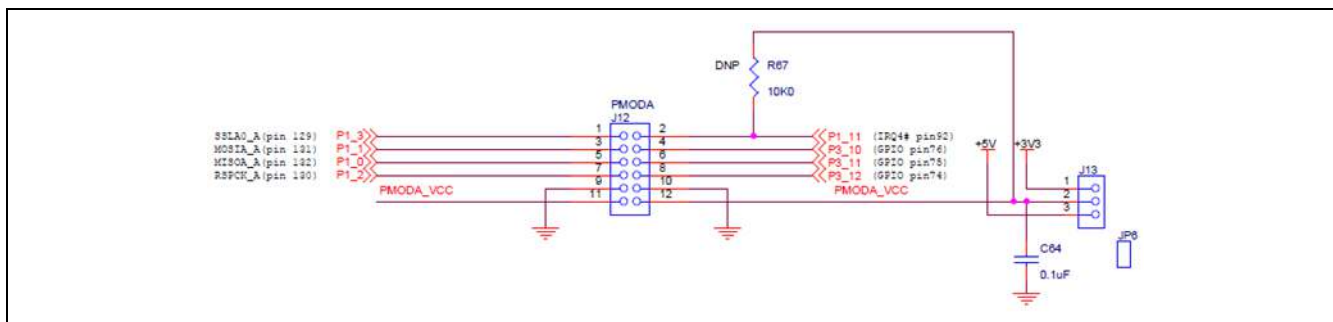


Figure 4.4 PMODA interface

PMODB, available on the J14 connector, exposes a UART, three GPIO lines, and an interrupt line to the MCU. Figure 4.5 shows the PMODB interface connections.

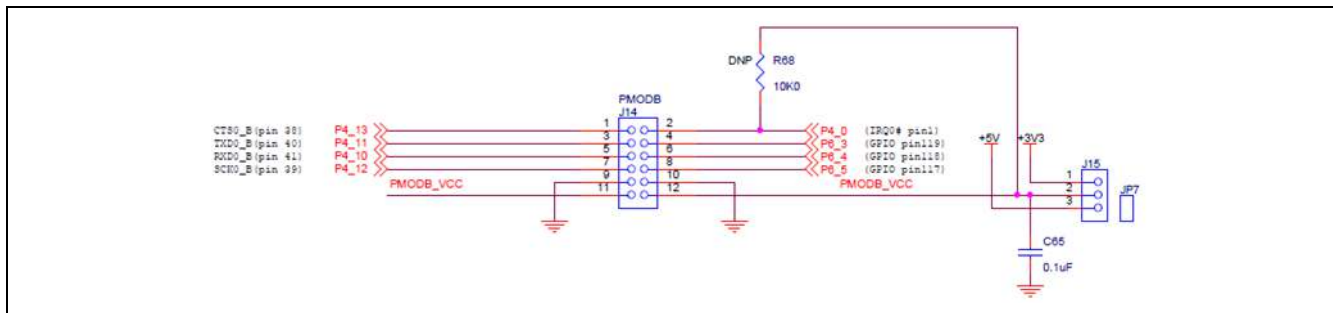


Figure 4.5 PMODB interface

Both PMOD interfaces can output either 5V or 3.3V, depending on the position of the J13 and J15 jumpers.

### 4.5 CAN, RS-232/485

The PK-S5D9 includes a UART interface (either RS-232 or RS-485) and a CAN interface. The CAN interface is exposed on connector J7, while the UART interface is available on connector J7 in RS-232 format (jumper J9 has to be in positions 1-3 and 2-4), or in raw TTL format in connector J10 (jumper J9 has to be in positions 3-5 and 4-6 to be connected to an external RS-485 converter). The RS-232/485 and CAN interface connections are shown in Figure 4.6.

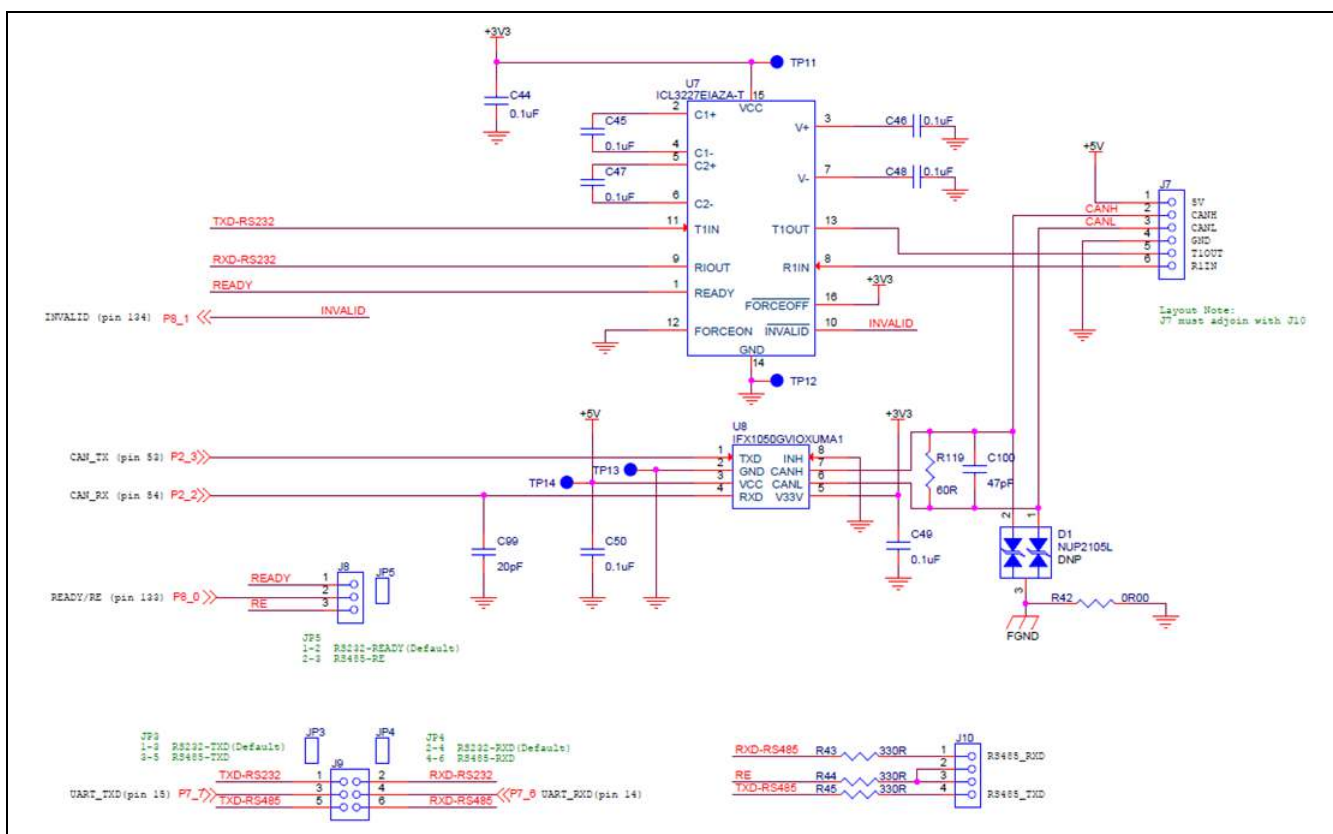


Figure 4.6 RS-232/485 and CAN interfaces

### 4.6 USB Device Port

The PK-S5D9 is equipped with a USB full-speed (12-Mbps) device port on J5. The PK-S5D9 cannot be powered through this interface (power still needs to be applied through the USB device port J19), but connection to this port can be

detected since the power pin of this port is connected to the MCUs GPIO. Figure 4.7 shows the USB device port connections.

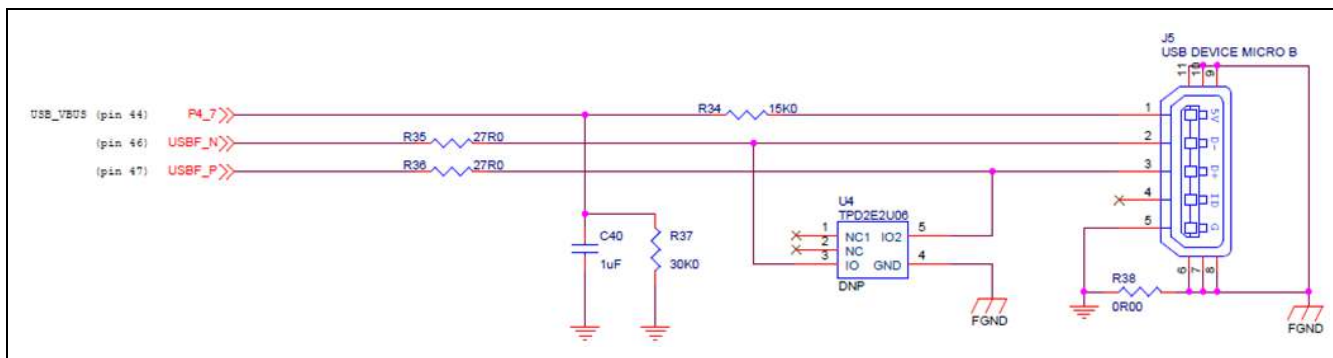


Figure 4.7 USB device port

### 4.7 USB Host Port

The PK-S5D9 is equipped with a USB high-speed (480-Mbps) host port on J6. This host port can source a minimum current of 150 mA to devices connected to it. Over-consumption conditions on devices can be detected. Figure 4.8 shows the USB host port connections.

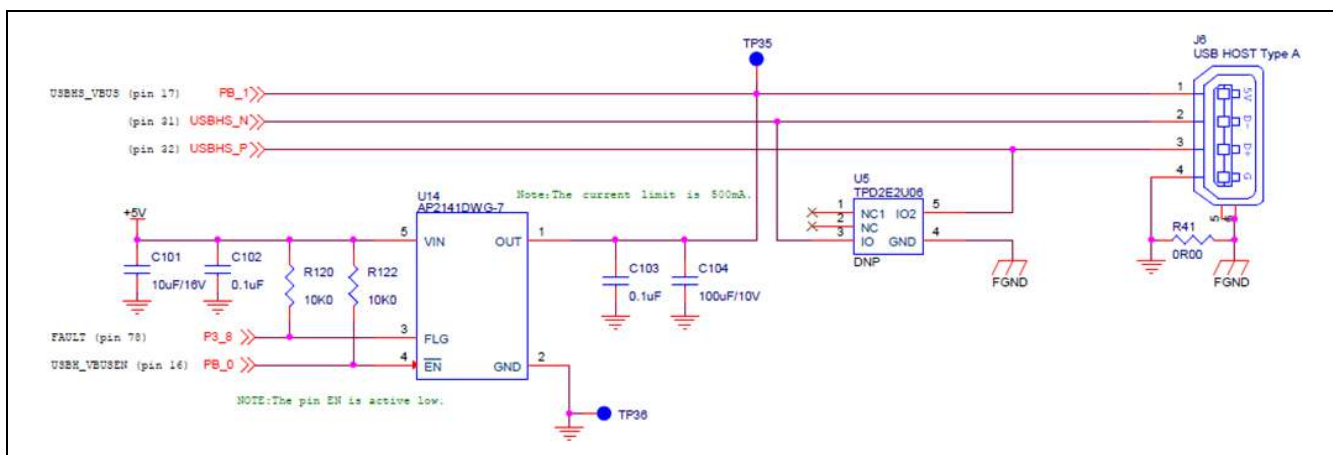


Figure 4.8 USB host port

### 4.8 Capacitive Touch Interface

The PK-S5D9 contains two capacitive touch buttons (S1 and S3) and one slider (S2) connected to the capacitive touch-sensing unit (CTSUs) on the MCU. Figure 4.9 shows the connections for the two capacitive buttons and the slider.

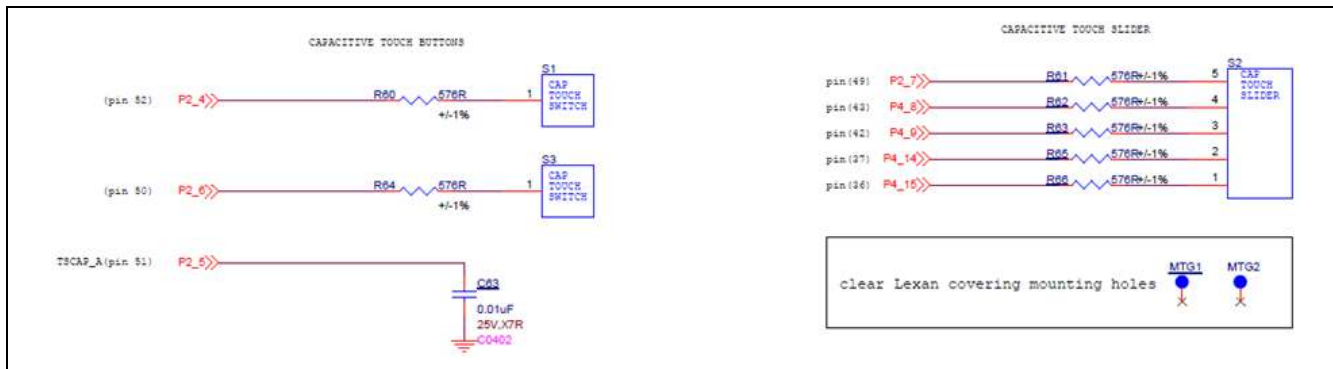


Figure 4.9 Capacitive touch buttons and slider

### 4.9 Audio

The PK-S5D9 contains an amplified mono audio output on a standard 3.5 mm audio jack J16. The audio is generated with a D/A converter on output DA0, and the amplification gain can be changed by modifying resistor pairs R70/R71 and R73/R72. The audio output connections are shown in Figure 4.10.

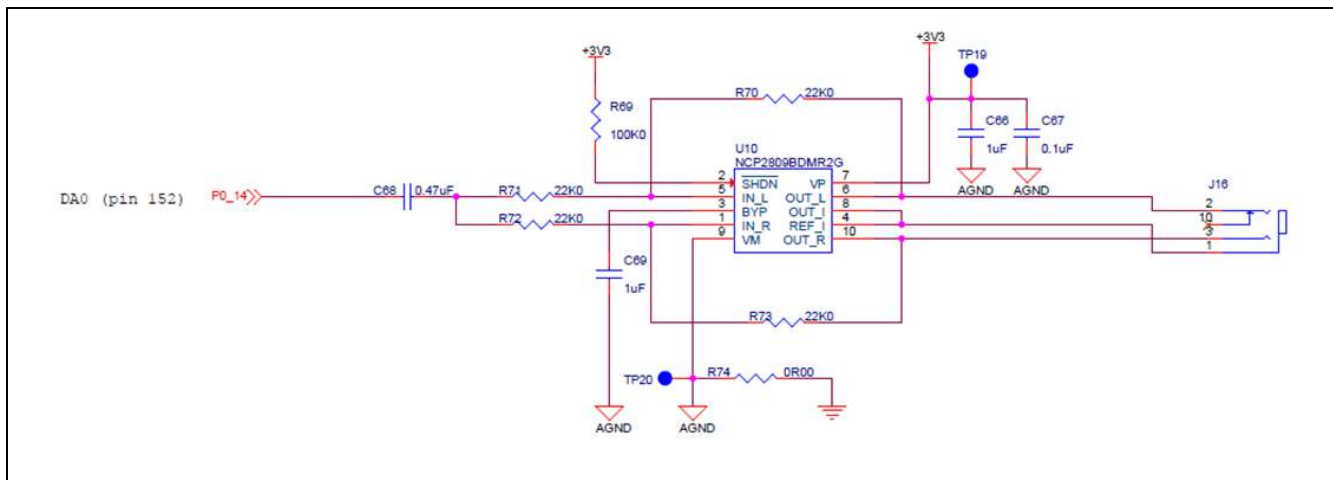


Figure 4.10 Audio output

### 4.10 User Buttons and LEDs

The PK-S5D9 includes two user buttons directly wired to interrupt pins on the MCU, as well as three generic user LEDs connected to the MCUs GPIO pins. Figure 4.11 shows the user buttons and LED connections.



Figure 4.11 User buttons and LEDs

### 4.11 QSPI Flash

The PK-S5D9 includes a 64 Mb (8 MB) QSPI flash connected to the QSPI interface of the MCU. Figure 4.12 shows the connections for the QSPI flash.

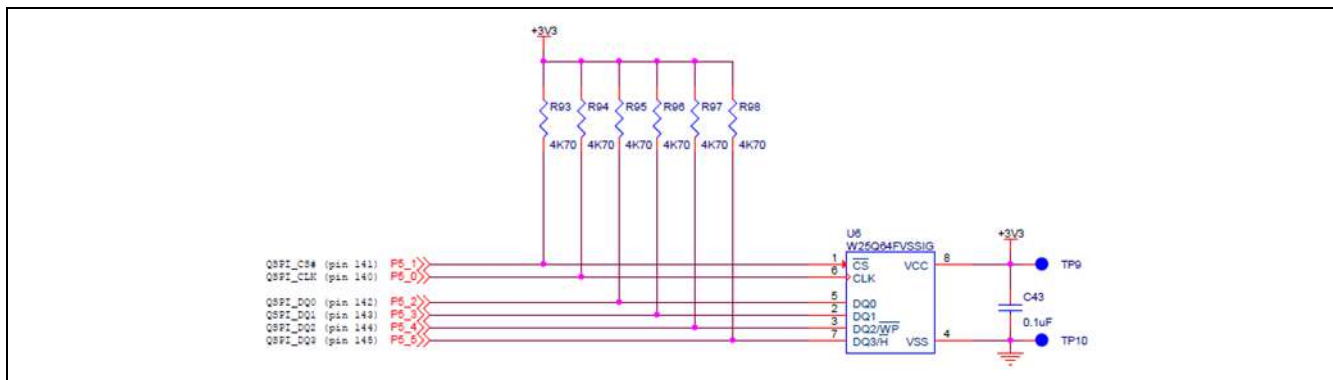


Figure 4.12 QSPI flash

### 4.12 Arduino Shield Interface

The PK-S5D9 includes one Arduino Shield compatible interface, so that Arduino Shield boards can expand the PK-S5D9 functionality. The Arduino Shield interface is implemented with the J24, J25, J26, and J27 connectors. Figure 4.13 shows the Arduino Shield interface connections.

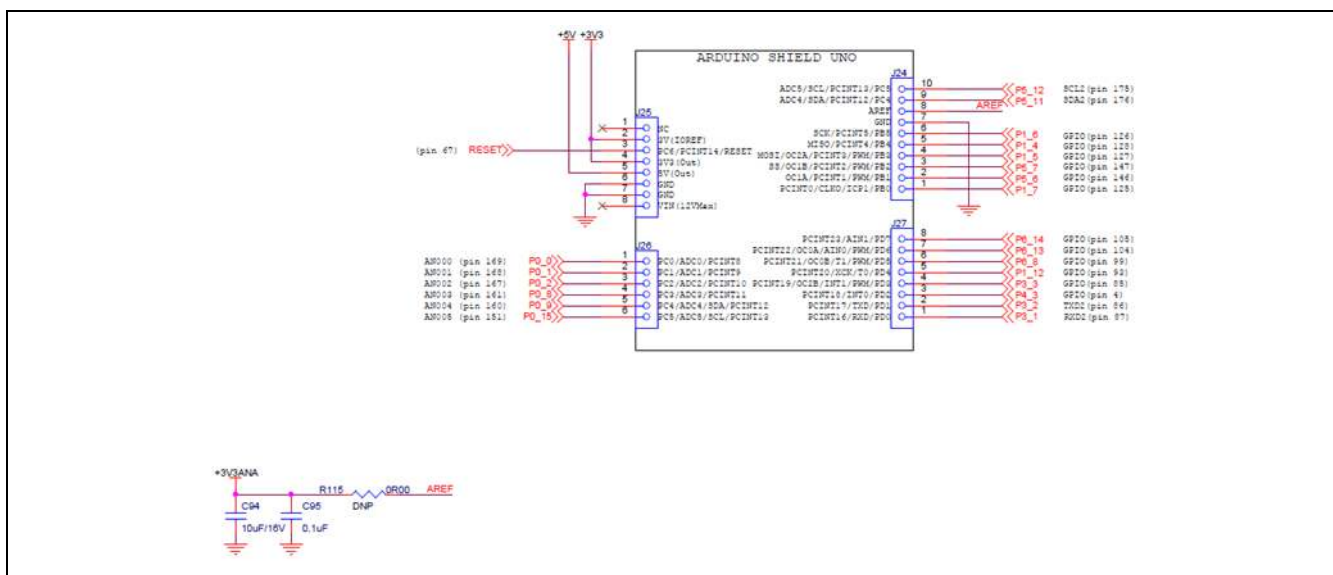


Figure 4.13 Arduino Shield interface

### 4.13 Breakout Headers

All of the MCUs I/O pins are accessible through four double row 2.54-mm (0.1-in.) pitch breakout headers (J20 through J23) as shown in Figure 4.14.



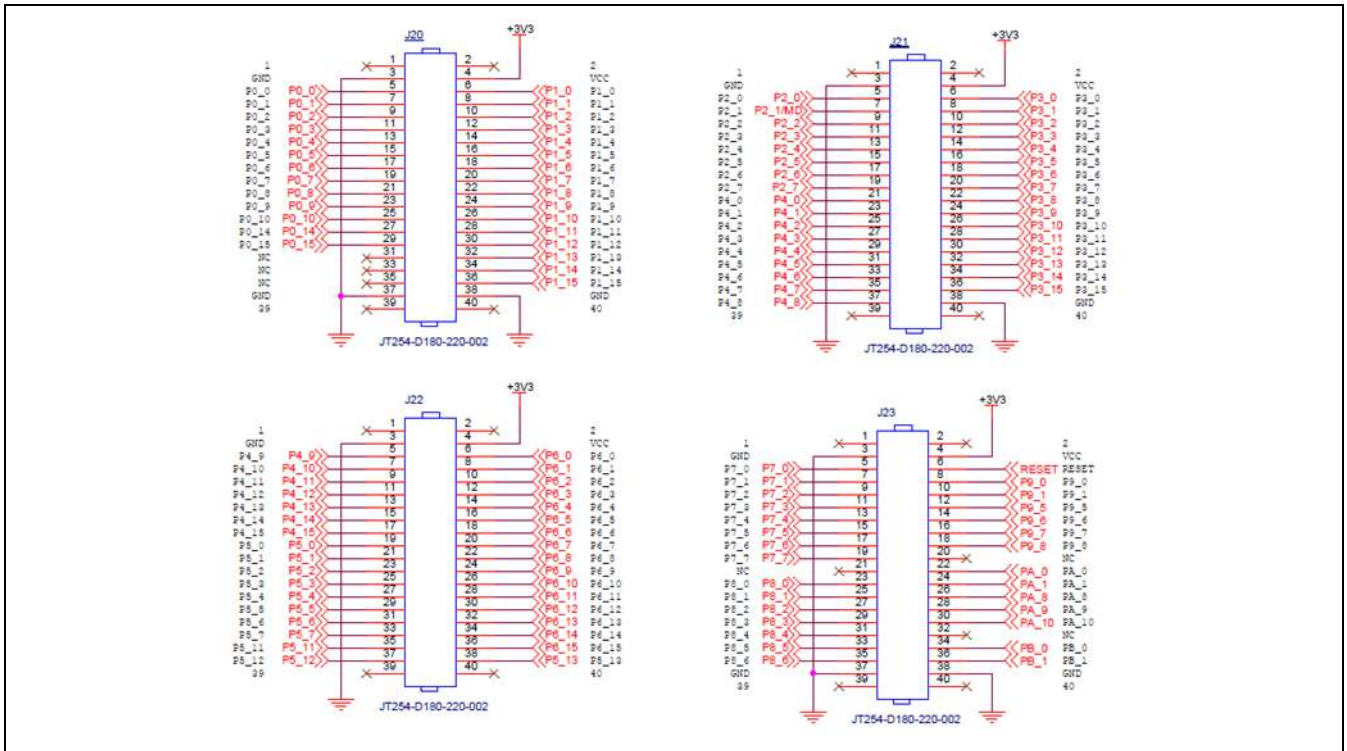


Figure 4.14 MCUs breakout headers



# 5. Board Layout

The PK-S5D9 board measures 145 mm x 120 mm. Figure 5.1 shows the location of all the relevant board components described in the prior section.

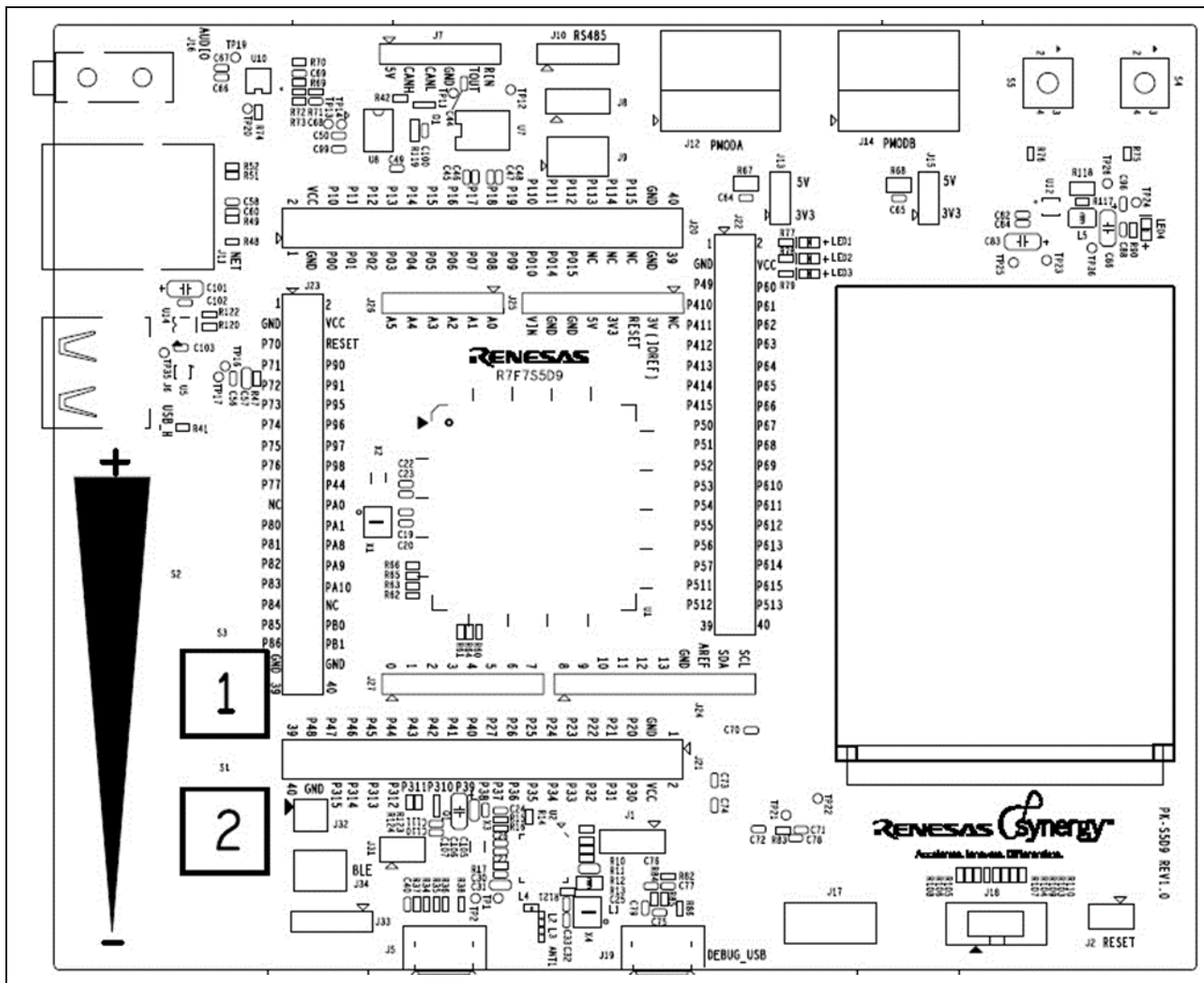


Figure 5.1 PK-S5D9 component placement

## 6. Configuration

The PK-S5D9 has several configuration options set by jumpers. Table 6.1 lists the different jumpers and their positions.

**Table 6.1 PK-S5D9 configuration jumpers**

Jumper	Function
J1	MCU boot selection. If J1 is in position 1-2 (default), the MCU boots in normal mode (from its ROM). If J1 is set on the 2-3 position, the MCU boots in USB programming mode, which allows programming the MCU flash through the USB port.
J2	MCU reset. If J2 is set, MCU is reset. If J2 is open, MCU reset is released.
J8	RS-232 transmit-ready/RS-485 receive enable selector jumper. If J8 is in position 1-2 (default), the RS-232 driver transmit ready signal (which, indicates that the transmit voltages are appropriate) is connected to an MCU GPIO signal. If J8 is in position 2-3, the (external) RS-485 driver's receive enable is connected to the same MCU GPIO signal.
J9	RS-232/485 mode selection jumper. If J9 is in position 1-3 and 2-4 (default), the MCUs SCI3 port is connected to the RS-232 driver (which is exposed on the J7 port). If J9 is in the 3-5 and 4-6 position, the MCUs SCI3 port is connected to the RS-485 port (J10) for an off-board driver.
J13	PMODA 3.3V/5V output selection. If J13 is set on the position labeled 5V, then 5V is provided on the PMODA connector. If J13 is set on the position labeled 3V3, then 3.3V are provided in the PMODA interface.
J15	PMODB 3.3V/5V output selection. If J15 is set on the position labeled 5V, then 5V is provided on the PMODB connector. If J15 is set on the position labeled 3V3, then 3.3V is provided on the PMODB interface.
J31	Power measurement jumper for S5D9. If J31 is installed, (digital) MCU current goes through the jumper. If J31 is removed, the (digital) MCU current consumption goes through an ammeter connected across pins 1 and 2 of J31.

### 6.1 RS-232 Transceiver Configuration

The PK-S5D9 exposes the Serial Communication Interface (SCI3) in the MCU through three different electrical interfaces: RS-232, (external) RS-485, and the MCU breakout headers. Table 6.2 summarizes the configuration alternatives for this port.

**Table 6.2 Configuration options for RS-232/485 port**

Option	J8	J9
RS-232 on J7	1-2	1-3 and 2-4
RS-485 on J10 (external converter)	2-3	3-5 and 4-6
TTL interface on MCU breakout headers J20-J23	removed	removed

## 7. Connectivity

The following sections describe in detail the interfaces available on the PK-S5D9, including the MCU resources utilized in each.

### 7.1 USB Host Port

The PK-S5D9 includes a USB host/high-speed port (J6). This port supplies current to devices connected to it through a current limited power switch (U14). The power output can be enabled through USBH\_VBUSEN pin of the MCU and monitored through USBHS\_VBUS pin. Table 7.1 shows the MCU functions used for the USB host port.

**Table 7.1 USB host port functions**

S5D9 Pin	Function name
USBHS_DM	USBHS_N
USBHS_DP	USBHS_P
PB01	USBHS_VBUS (monitor)
PB00	USBH_VBUSEN
P308	FAULT (monitor)

### 7.2 USB Device Port

The PK-S5D9 includes one USB device/full-speed port (J5). A USB connection can be detected by monitoring the status of the power pin of the USB device connector through its connection to a GPIO pin on the MCU. Table 7.2 shows the MCU functions used for the USB device port.

Note: Only connect a host to this device port when the board is powered.

**Table 7.2 USB device port functions**

S5D9 Pin	Function name
USB_DM	USBF_N
UDB_DP	USBF_P
P407	USB_VBUS (monitor)

### 7.3 Ethernet

The PK-S5D9 includes an RJ45 Ethernet connector to the on-board Ethernet PHY. Table 7.3 shows the pins of the MCU used on the PK-S5D9 when connected as a RMI interface to the PHY. In addition, interrupt IRQ14 is connected to the Ethernet PHY.

The Ethernet PHY is clocked by its own oscillator based on a 25 MHz crystal (X5).

Since the Ethernet connector (J11) is connected to the MCU through other components, only the functions used by the Ethernet module on the MCU are shown in Table 7.3.

**Table 7.3 Ethernet functions**

S5D9 Pin	Function name
P010	ETH_IRQ14#
P806	ETH_RESET#
P401	ETH_MDC
P402	ETH_MDIO
P705	ETH_CRSDV
P405	ETH_TXDEN
P700	ETH_TDX0
P406	ETH_TXD1
P702	ETH_RXD0
P703	ETH_RXD1
P704	ETH_RX_ER
P701	ETH (reference clock)

## 7.4 LCD

The PK-S5D9 includes a 240 x 320 QVGA LCD panel with touch-screen interface. This display is connected directly to the MCUs display port, and through a touchscreen controller IC to the display's touch-screen interface. Table 7.4 and Table 7.5 list the functions used by the LCD display and touch-screen controller on the MCU.

**Table 7.4 LCD functions (J3)**

S5D9 Pin	Function name
P610	LCD_RESET
P314	LCD_VSYNC
P313	LCD_HSYNC
P900	LCD_CLK_B
P315	LCD_Data_Enable
P901	LCD_D15
P908	LCD_D14
P907	LCD_D13
P906	LCD_D12
P905	LCD_D11
P615	LCD_D10
PA08	LCD_D9
PA09	LCD_D8
PA10	LCD_D7
PA01	LCD_D6
PA00	LCD_D5
P607	LCD_D4
P606	LCD_D3
P802	LCD_D2
P803	LCD_D1
P804	LCD_D0
P611	LCD_CS
P102	LCD_SCK
P115	LCD_WR
P114	LCD_RD
P101	LCD_MOSI
P100	LCD_MISO

**Table 7.5 LCD touchscreen functions**

S5D9 Pin	Function name
P609	RESET#
P004	IRQ9#
P512	SCL2
P511	SDA2

## 7.5 Pmod-compatible Ports

The PK-S5D9 includes two Pmod™-compatible ports, PMODA (J12), and PMODB (J14). Both can output either 3.3 V or 5 V supply, configurable by jumpers. Table 7.6 and Table 7.7 show the MCU functions used for these ports.

**Table 7.6 PMODA port functions**

S5D9 Pin	Function name
P103	SSLA0_A
P101	MOSIA_A
P100	MISOA_A
P102	RSPCK_A
P111	IRQ4#
P310	GPIO (PMOD pin 4)
P311	GPIO (PMOD pin 6)
P312	GPIO (PMOD pin 8)

**Table 7.7 PMODB port functions**

S5D9 Pin	Function name
P413	CTS0_B
P411	TXD0_B
P410	RXD0_B
P412	SCK0_B
P400	IRQ0#
P603	GPIO (PMOD pin 4)
P604	GPIO (PMOD pin 6)
P605	GPIO (PMOD pin 8)

## 7.6 JTAG/SWD

The PK-S5D9 provides several alternatives for JTAG emulation/debugging. An onboard SEGGER J-Link® SWD debugger is accessible through the debugging/power USB port (J19). There is also direct access to the MCUs JTAG/SWD port through connector J18. To enable the direct access connector, the resistors that connect the onboard J-Link® debugger with the MCU (R107, R108, R109, and R110) must be removed. Table 7.8 shows the MCU functions connected to the direct access JTAG/SWD connector.

**Table 7.8 JTAG/SWD functions**

S5D9 Pin	Function name
P108	TMS/SWDIO
P300	TCK/SWCLK
P109	TDO/SDDO
P110	TDI
RESET	RESET

## 7.7 UART and CAN

The PK-S5D9 exposes the MCU UART and a CAN interface (J7 and J10) as external connections. The UART interface can be configured to operate in RS-232 mode or in RS-485 (with an external driver IC) depending on the position of jumpers J8 and J9. Table 7.9 and Table 7.10 show the MCU functions connected to these interfaces.

**Table 7.9 UART interface functions**

S5D9 Pin	Function name
P706	UART_RXD
P707	UART_TXD
P801	INVALID
P800	READY (RS-232) or RE (RS-485)

**Table 7.10 CAN interface functions**

S5D9 Pin	Function name
P203	CAN_TX
P202	CAN_RX



## 8. Connections of Port and Connector

Table 8.1 shows port and peripheral functions of the MCUs and connections with PK-S5D9 connector.

**Table 8.1 Port and peripheral functions of the MCUs and connections with PK-S5D9 connector**

Port	Peripheral	Signal	PK-S5D9 connector
P000	Arduino Shield	AN000	J26 (1)
P001	Arduino Shield	AN001	J26 (2)
P002	Arduino Shield	AN002	J26 (3)
P004	LCD (Touchscreen)	IRQ9#	N/A
P005	User Button	IRQ10#	S5
P006	User Button	IRQ11#	S4
P008	Arduino Shield	AN003	J26 (4)
P009	Arduino Shield	AN004	J26 (5)
P010	Ethernet	ETH_IRQ14#	N/A
P014	Audio	DA0	N/A
P015	Arduino Shield	AN005	J26 (6)
P100	LCD/PMODA	LCD_MISO/MISOA_A	J3 (18) / J12 (5)
P101	LCD/PMODA	LCD_MOSI/MOSIA_A	J3 (17) / J12 (3)
P102	LCD/PMODA	LCD_SCK/RSPCK_A	J3 (14) / J12 (7)
P103	PMODA	SSLA0_A	J12 (1)
P104	Arduino Shield	N/A	J24 (4)
P105	Arduino Shield	N/A	J24 (5)
P106	Arduino Shield	N/A	J24 (6)
P107	Arduino Shield	N/A	J24 (1)
P108	JTAG	TMS/SWDIO	J18 (2)
P109	JTAG	TDO/SDDO	J18 (6)
P110	JTAG	TDI	J18 (8)
P111	PMODA	IRQ4#	J12 (2)
P112	Arduino Shield	N/A	J27 (5)
P113	Bluetooth™	BLE_PWR_EN	N/A
P202	CAN	CAN_RX	N/A
P203	CAN	CAN_TX	N/A
P204	Cap Touch	N/A	S1
P205	Cap Touch	TSCAP_A	N/A
P206	Cap Touch	N/A	S3
P207	Cap Touch	N/A	S2 (5)
P300	JTAG	TCK/SWCLK	J18 (4)
P301	Bluetooth/Arduino Shield	RXD2/RXD2	N/A/J27 (1)
P302	Bluetooth/Arduino Shield	TXD2/TXD2	N/A/J27 (2)
P303	Arduino Shield	N/A	J27 (4)
P304	Bluetooth	RXD6_A	N/A
P305	Bluetooth	TXD6_A	N/A
P306	Bluetooth	SCK6_A	N/A
P308	USB Host	FAULT	N/A

P309	Bluetooth	BLE_RESET	N/A
P310	PMODA	N/A	J12 (4)
P311	PMODA	N/A	J12 (6)
P312	PMODA	N/A	J12 (8)
P313	LCD	LCD_HSYNC	J3 (40)
P314	LCD	LCD_VSYNC	J3 (41)
P315	LCD	LCD_Data_Enable	J3 (38)
P400	PMODB	IRQ0#	J14 (2)
P401	Ethernet	ETH_MDC	N/A
P402	Ethernet	ETH_MDIO	N/A
P403	Arduino Shield	N/A	J27(3)
P405	Ethernet	ETH_TXD_EN	N/A
P406	Ethernet	ETH_TXD1	N/A
P407	USB Device	USB_VBUS	J5 (1)
P408	Cap Touch	N/A	S2 (4)
P409	Cap Touch	N/A	S2 (3)
P410	PMODB	RXD0_B	J14 (5)
P411	PMODB	TXD0_B	J14 (3)
P412	PMODB	SCK0_B	J14 (7)
P413	PMODB	CTS0_B	J14 (1)
P414	Cap Touch	N/A	S2 (2)
P415	Cap Touch	N/A	S2 (1)
P500	QSPI Flash	QSPI_CLK	N/A
P501	QSPI Flash	QSPI_CS#	N/A
P502	QSPI Flash	QSPI_DQ0	N/A
P503	QSPI Flash	QSPI_DQ1	N/A
P504	QSPI Flash	QSPI_DQ2	N/A
P505	QSPI Flash	QSPI_DQ3	N/A
P506	Arduino Shield	N/A	J24 (2)
P507	Arduino Shield	N/A	J24 (3)
P511	LCD (Touchscreen)/Arduino Shield	SDA2/SDA2	N/A/J24 (9)
P512	LCD (Touchscreen)/Arduino Shield	SCL2/SCL2	N/A/J24 (10)
P600	User LED	N/A	LED1
P601	User LED	N/A	LED2
P602	User LED	N/A	LED3
P603	PMODB	N/A	J14 (4)
P604	PMODB	N/A	J14 (6)
P605	PMODB	N/A	J14 (8)
P606	LCD	LCD_D3	J3 (24)
P607	LCD	LCD_D4	J3 (25)
P608	Arduino Shield	N/A	J27 (6)
P609	LCD (Touchscreen)	RESET#	N/A
P611	LCD	LCD_CS	J3 (13)
P613	Arduino Shield	N/A	J27 (7)
P614	Arduino Shield	N/A	J27 (8)

P615	LCD	LCD_D10	J3 (31)
P700	Ethernet	ETH_TXD0	N/A
P701	Ethernet	ETH	N/A
P702	Ethernet	ETH_RXD0	N/A
P703	Ethernet	ETH_RXD1	N/A
P704	Ethernet	ETH_RX_ER	N/A
P705	Ethernet	ETH_CRS_DV	N/A
P706	RS-232	UART_RXD	J9 (4)
P707	RS-232	UART_TXD	J9 (3)
P800	RS-232	READY/RE	J8 (2)
P801	RS-232	INVALID	N/A
P802	LCD	LCD_D2	J3 (23)
P803	LCD	LCD_D1	J3 (22)
P804	LCD	LCD_D0	J3 (21)
P806	Ethernet	ETH_RESET#	N/A
P900	LCD	LCD_CLK_B	J3 (39)
P901	LCD	LCD_D15	J3 (37)
P905	LCD	LCD_D11	J3 (33)
P906	LCD	LCD_D12	J3 (34)
P907	LCD	LCD_D13	J3 (35)
P908	LCD	LCD_D14	J3 (36)
PA00	LCD	LCD_D5	J3 (26)
PA01	LCD	LCD_D6	J3 (27)
PA08	LCD	LCD_D9	J3 (30)
PA09	LCD	LCD_D8	J3 (29)
PA10	LCD	LCD_D7	J3 (28)
PB00	USB Host	USBH_VBUSEN	N/A
PB01	USB Host	USBHS_VBUS	J6 (1)
RESET	JTAG	RESET	J18 (10)
USBHS_N	USB Host	USBHS_N	J6 (2)
USBHS_P	USB Host	USBHS_P	J6 (3)
USBF_N	USB Device	USBF_N	J5 (2)
USBF_P	USB Device	USBF_P	J5 (3)

## Revision History

Rev.	Date	Description	
		Page	Summary
1.00	Feb 16, 2017	-	1 <sup>st</sup> release
1.01	Apr 11, 2017	23-25	Description of pin connection and pin function corrected.

---

Promotion Kit S5D9 (PK-S5D9) User's Manual

Publication Date: Rev.1.01 Apr 11, 2017

Published by: Renesas Electronics Corporation

---

**SALES OFFICES****Renesas Electronics Corporation**<http://www.renesas.com>Refer to "<http://www.renesas.com/>" for the latest and detailed information.**Renesas Electronics America Inc.**2801 Scott Boulevard Santa Clara, CA 95050-2549, U.S.A.  
Tel: +1-408-588-6000, Fax: +1-408-588-6130**Renesas Electronics Canada Limited**9251 Yonge Street, Suite 8309 Richmond Hill, Ontario Canada L4C 9T3  
Tel: +1-905-237-2004**Renesas Electronics Europe Limited**Dukes Meadow, Millboard Road, Bourne End, Buckinghamshire, SL8 5FH, U.K  
Tel: +44-1628-585-100, Fax: +44-1628-585-900**Renesas Electronics Europe GmbH**Arcadiastrasse 10, 40472 Düsseldorf, Germany  
Tel: +49-211-6503-0, Fax: +49-211-6503-1327**Renesas Electronics (China) Co., Ltd.**Room 1709, Quantum Plaza, No.27 ZhiChunLu Haidian District, Beijing 100191, P.R.China  
Tel: +86-10-8235-1155, Fax: +86-10-8235-7679**Renesas Electronics (Shanghai) Co., Ltd.**Unit 301, Tower A, Central Towers, 555 Langao Road, Putuo District, Shanghai, P. R. China 200333  
Tel: +86-21-2226-0888, Fax: +86-21-2226-0999**Renesas Electronics Hong Kong Limited**Unit 1601-1611, 16/F., Tower 2, Grand Century Place, 193 Prince Edward Road West, Mongkok, Kowloon, Hong Kong  
Tel: +852-2265-6688, Fax: +852 2886-9022**Renesas Electronics Taiwan Co., Ltd.**13F, No. 363, Fu Shing North Road, Taipei 10543, Taiwan  
Tel: +886-2-8175-9600, Fax: +886 2-8175-9670**Renesas Electronics Singapore Pte. Ltd.**80 Bendemeer Road, Unit #06-02 Hyflux Innovation Centre, Singapore 339949  
Tel: +65-6213-0200, Fax: +65-6213-0300**Renesas Electronics Malaysia Sdn.Bhd.**Unit 1207, Block B, Menara Amcorp, Amcorp Trade Centre, No. 18, Jln Persiaran Barat, 46050 Petaling Jaya, Selangor Darul Ehsan, Malaysia  
Tel: +60-3-7955-9390, Fax: +60-3-7955-9510**Renesas Electronics India Pvt. Ltd.**No.777C, 100 Feet Road, HAL II Stage, Indiranagar, Bangalore, India  
Tel: +91-80-67208700, Fax: +91-80-67208777**Renesas Electronics Korea Co., Ltd.**12F., 234 Teheran-ro, Gangnam-Gu, Seoul, 135-080, Korea  
Tel: +82-2-558-3737, Fax: +82-2-558-5141

Renesas Synergy™ Platform  
Promotion Kit S5D9 (PK-S5D9)

