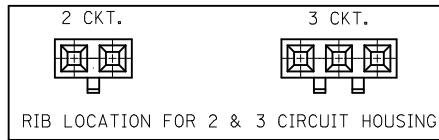
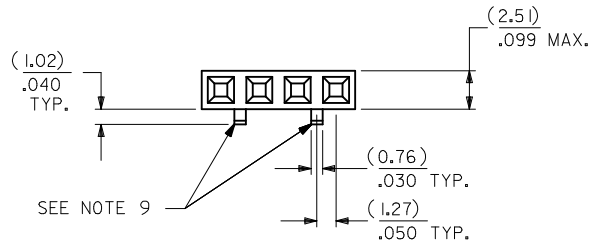
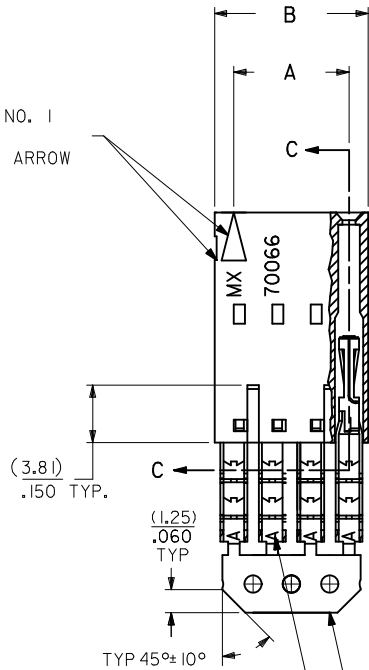


# OPTION D

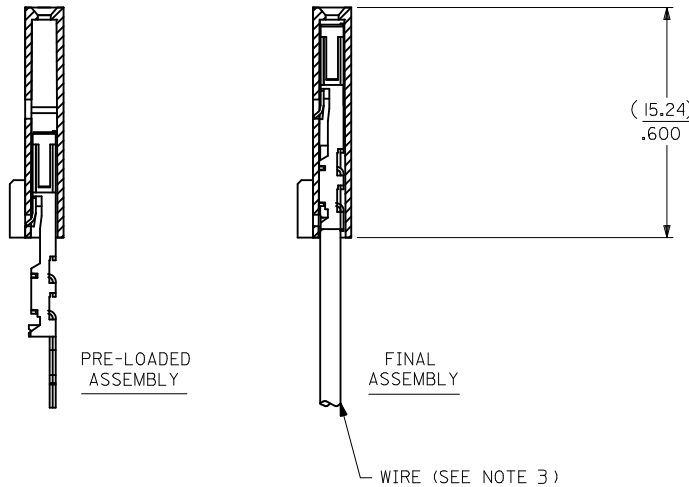
- NOTES:  
 1. MATERIAL:  
 HOUSING: POLYESTER(PBT), GLASS FILLED, UL94 V-0;  
 COLOR: BLACK  
 TERMINAL: PHOSPHOR BRONZE  
 2. FINISH:  
 15 GOLD: 0.38 MICROMETERS/15 MICROINCHES MINIMUM GOLD IN  
 191 MICROMETERS/75 MICROINCHES MINIMUM TIN  
 OVER NICKEL UNDERPLATE OVERALL  
 3. TO BE USED WITH 24 AWG STRANDED WIRE WITH (1.35)/.053  
 DIAMETER MAXIMUM INSULATION  
 4. SEE TABLE FOR AVAILABLE CIRCUIT SIZES  
 5. STANDARD PACKAGING PER PK-70873-0001. OPTIONAL PACKAGING  
 MAY BE AVAILABLE, REQUEST DRAWING PK-70400  
 6. PARTS STACKABLE END TO END ON (2.54)/.100 CENTERS  
 7. PRODUCT SPECIFICATION: PS-70400  
 8. SEE DRAWING SDA-70400-\*\*\*\* (SHEET 3) FOR OPTIONAL  
 HOUSING DETAILS  
 9. 4 CIRCUIT SHOWN. 3-25 CIRCUITS HAVE 2 RIBS  
 10. TO MATE WITH MOLEX PART NUMBERS: 70004-\*\*\*\* & 70013-\*\*\*\*  
 11. 2 CIRCUIT ASSEMBLIES SUPPLIED AS GROUPED PAIRS



CIRCUIT NO. 1  
 SLOT OR ARROW



## SECTION C-C



| CKT. SIZE | A                  | B                  | EDP. NO.   |
|-----------|--------------------|--------------------|------------|
| 2         | ( 2.54 )<br>.100   | ( 5.05 )<br>.199   | 14-56-3024 |
| 3         | ( 5.08 )<br>.200   | ( 7.59 )<br>.299   | 14-56-3034 |
| 4         | ( 7.62 )<br>.300   | ( 10.13 )<br>.399  | 14-56-3044 |
| 5         | ( 10.16 )<br>.400  | ( 12.67 )<br>.499  | 14-56-3054 |
| 6         | ( 12.70 )<br>.500  | ( 15.21 )<br>.599  | 14-56-3064 |
| 7         | ( 15.24 )<br>.600  | ( 17.75 )<br>.699  | 14-56-3074 |
| 8         | ( 17.78 )<br>.700  | ( 20.29 )<br>.799  | 14-56-3084 |
| 9         | ( 20.32 )<br>.800  | ( 22.83 )<br>.899  | 14-56-3094 |
| 10        | ( 22.86 )<br>.900  | ( 25.37 )<br>.999  | 14-56-3104 |
| 11        | ( 25.4 )<br>1.000  | ( 27.91 )<br>1.099 | 14-56-3114 |
| 12        | ( 27.94 )<br>1.100 | ( 30.45 )<br>1.199 | 14-56-3124 |
| 13        | ( 30.48 )<br>1.200 | ( 32.99 )<br>1.299 | 14-56-3134 |
| 14        | ( 33.02 )<br>1.300 | ( 35.53 )<br>1.399 | 14-56-3144 |
| 15        | ( 35.56 )<br>1.400 | ( 38.07 )<br>1.499 | 14-56-3154 |
| 16        | ( 38.1 )<br>1.500  | ( 40.61 )<br>1.599 | 14-56-3164 |
| 17        | ( 40.64 )<br>1.600 | ( 43.15 )<br>1.699 | 14-56-3174 |
| 18        | ( 43.18 )<br>1.700 | ( 45.69 )<br>1.799 | 14-56-3184 |
| 19        | ( 45.72 )<br>1.800 | ( 48.23 )<br>1.899 | 14-56-3194 |
| 20        | ( 48.26 )<br>1.900 | ( 50.77 )<br>1.999 | 14-56-3204 |
| 21        | ( 50.8 )<br>2.000  | ( 53.31 )<br>2.099 | 14-56-3214 |
| 22        | ( 53.34 )<br>2.100 | ( 55.85 )<br>2.199 | 14-56-3224 |
| 23        | ( 55.88 )<br>2.200 | ( 58.39 )<br>2.299 | 14-56-3234 |
| 24        | ( 58.42 )<br>2.300 | ( 60.93 )<br>2.399 | 14-56-3244 |
| 25        | ( 60.96 )<br>2.400 | ( 63.47 )<br>2.499 | 14-56-3254 |

| I.D. SLOT CODE TO WIRE GAUGE CHART |            |
|------------------------------------|------------|
| I.D. SLOT CODE                     | WIRE GAUGE |
| A                                  | 24 AWG.    |

| PLATING CODE (STRIPE ON CARRIER STRIP) |        |
|--|--------|
| PLATING                                | COLOR  |
| 15 GOLD                                | YELLOW |

|   |                                      |  |   |   |                        |
|---|--------------------------------------|--|---|---|------------------------|
| REMOVE ENG NO.<br>EC NO: UCP2011-1110<br>DRWINMSI BARRA 2010/10/19<br>CHKD:JORGAN 2010/10/19<br>APPR:SMILLER 2010/11/24 | QUALITY SYMBOLS<br>∇=0<br>∇=0<br>∇=0 | GENERAL TOLERANCES (UNLESS SPECIFIED)<br>mm INCH<br>4 PLACES ± --- ± ---<br>3 PLACES ± --- ± .010<br>2 PLACES ± 0.25 ± .014<br>1 PLACE ± 0.35 ± ---<br>ANGULAR ±1/2° | DIMENSION STYLE<br>MM/IN<br>DRAWN BY DATE<br>MSIBARRA 2010/10/19<br>CHECKED BY DATE<br>WAZ 1984/10/09<br>APPROVED BY DATE<br>SMILLER 2010/11/24 | SCALE DESIGN UNITS<br>INCH<br>TITLE<br>ASSEMBLY, SL CONNECTOR<br>SINGLE ROW<br>2.54/.100 GRID | THIRD ANGLE PROJECTION |
|   |                                      | DRAFT WHERE APPLICABLE<br>MUST REMAIN<br>WITHIN DIMENSIONS   | MATERIAL NO.<br>SEE TABLE   | DOCUMENT NO.<br>SDA-70400-0596-0619   | SHEET NO.<br>1 OF 1    |