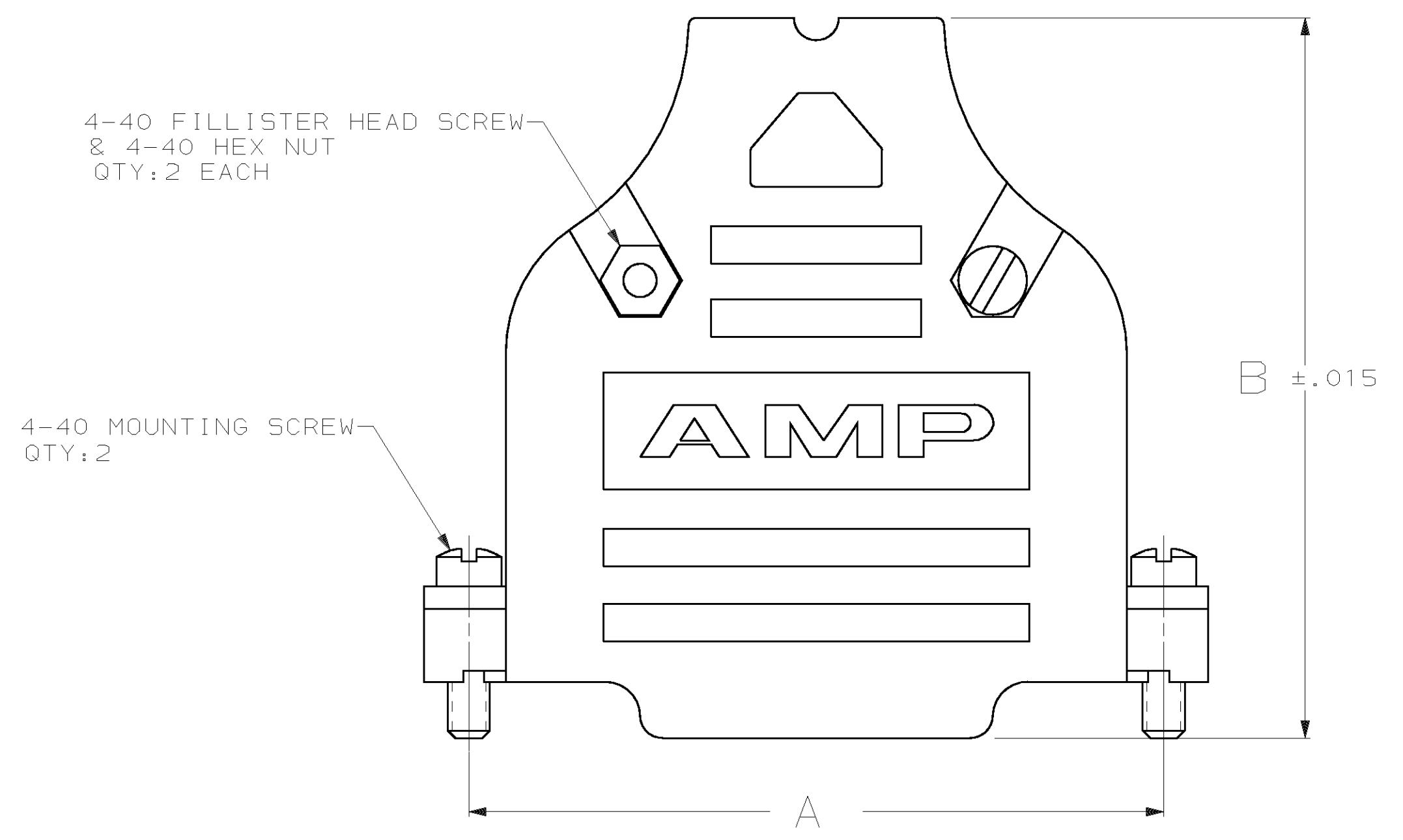
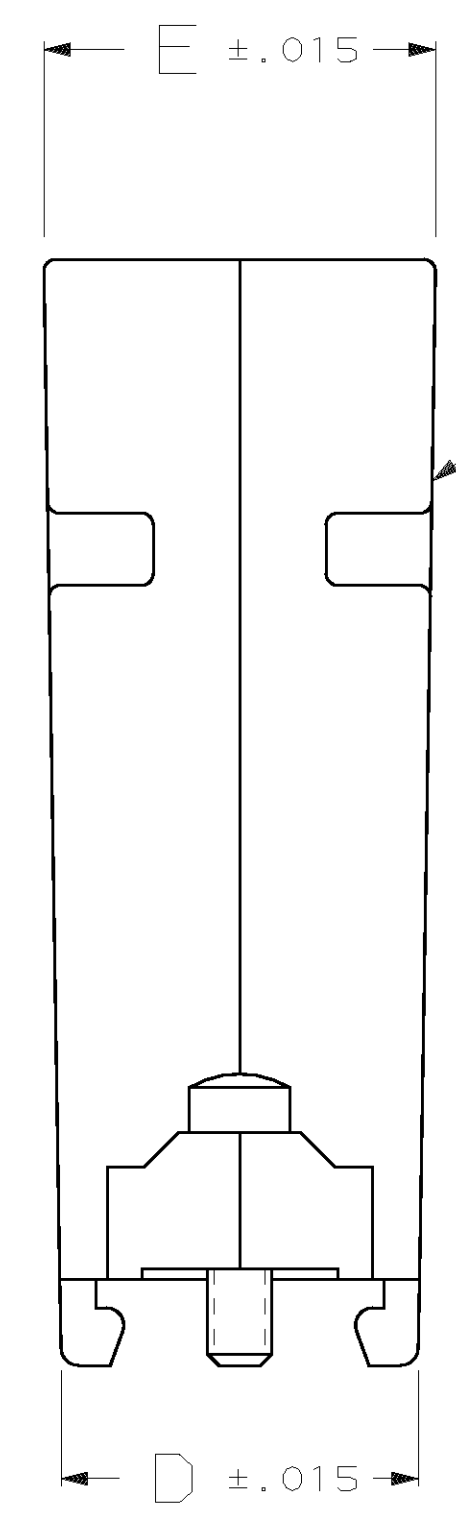
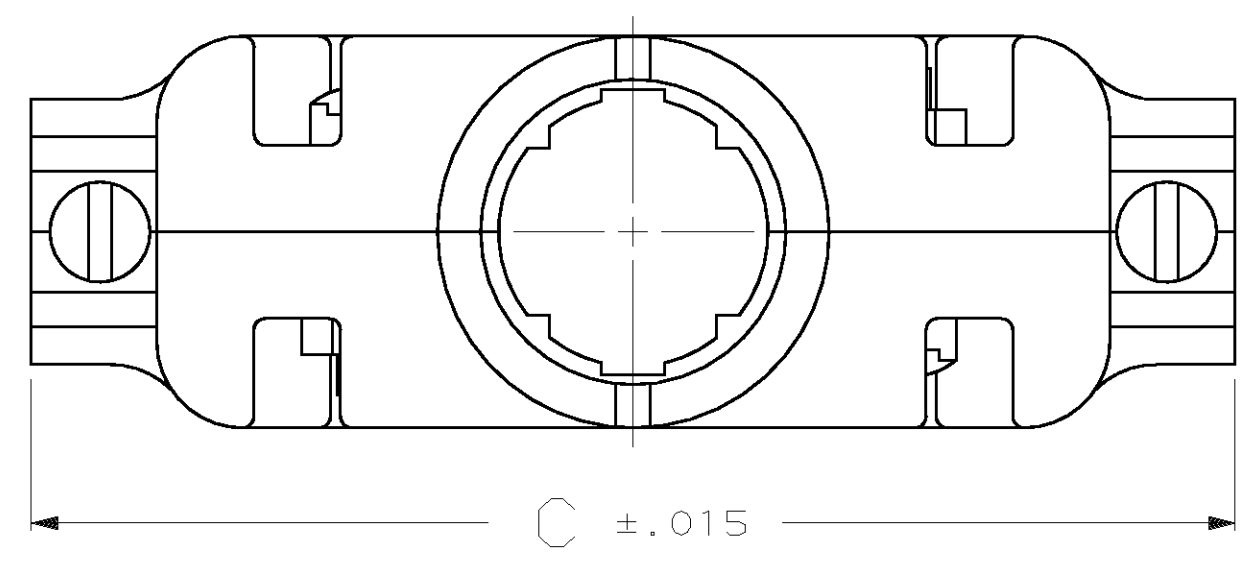
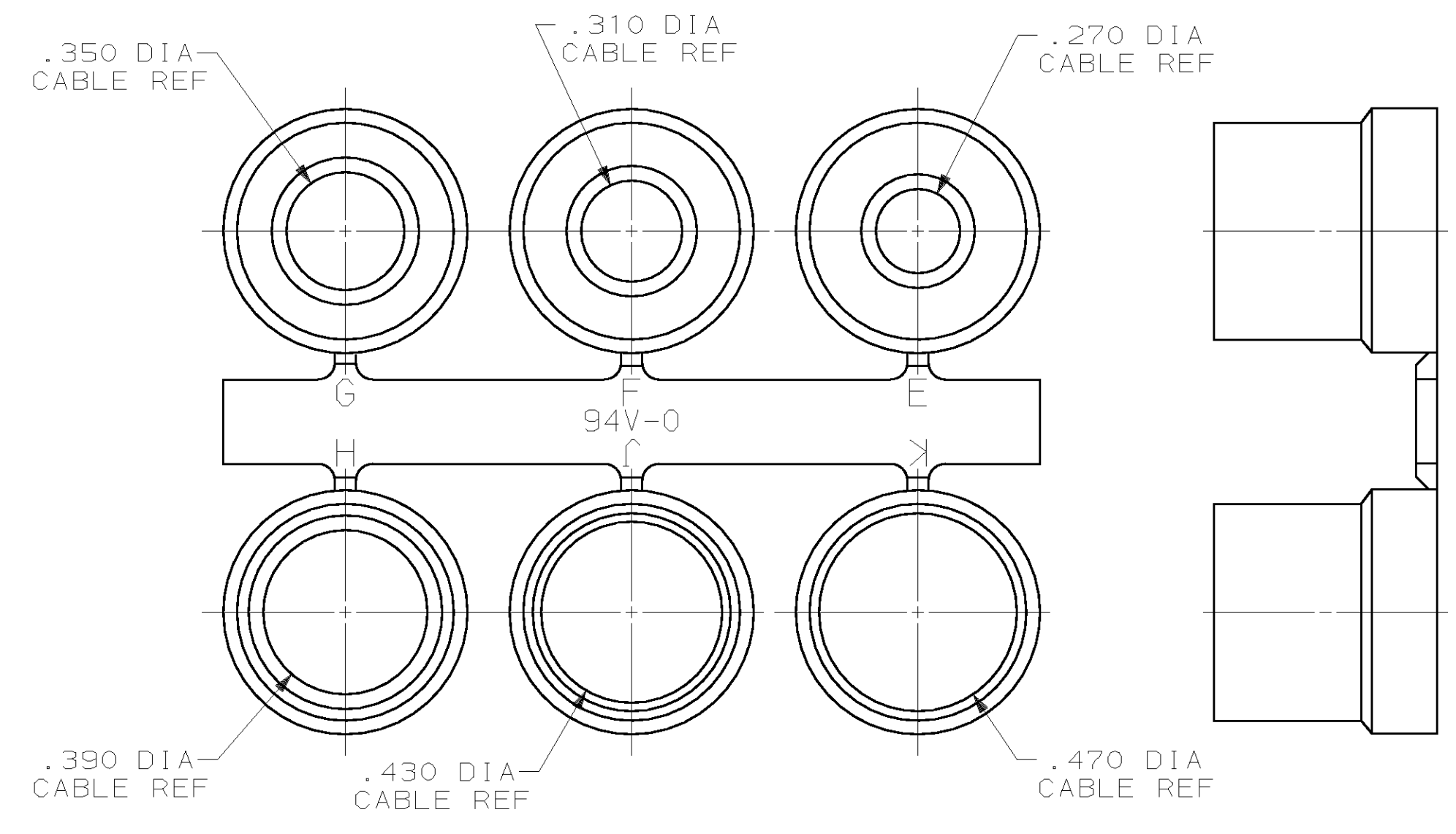
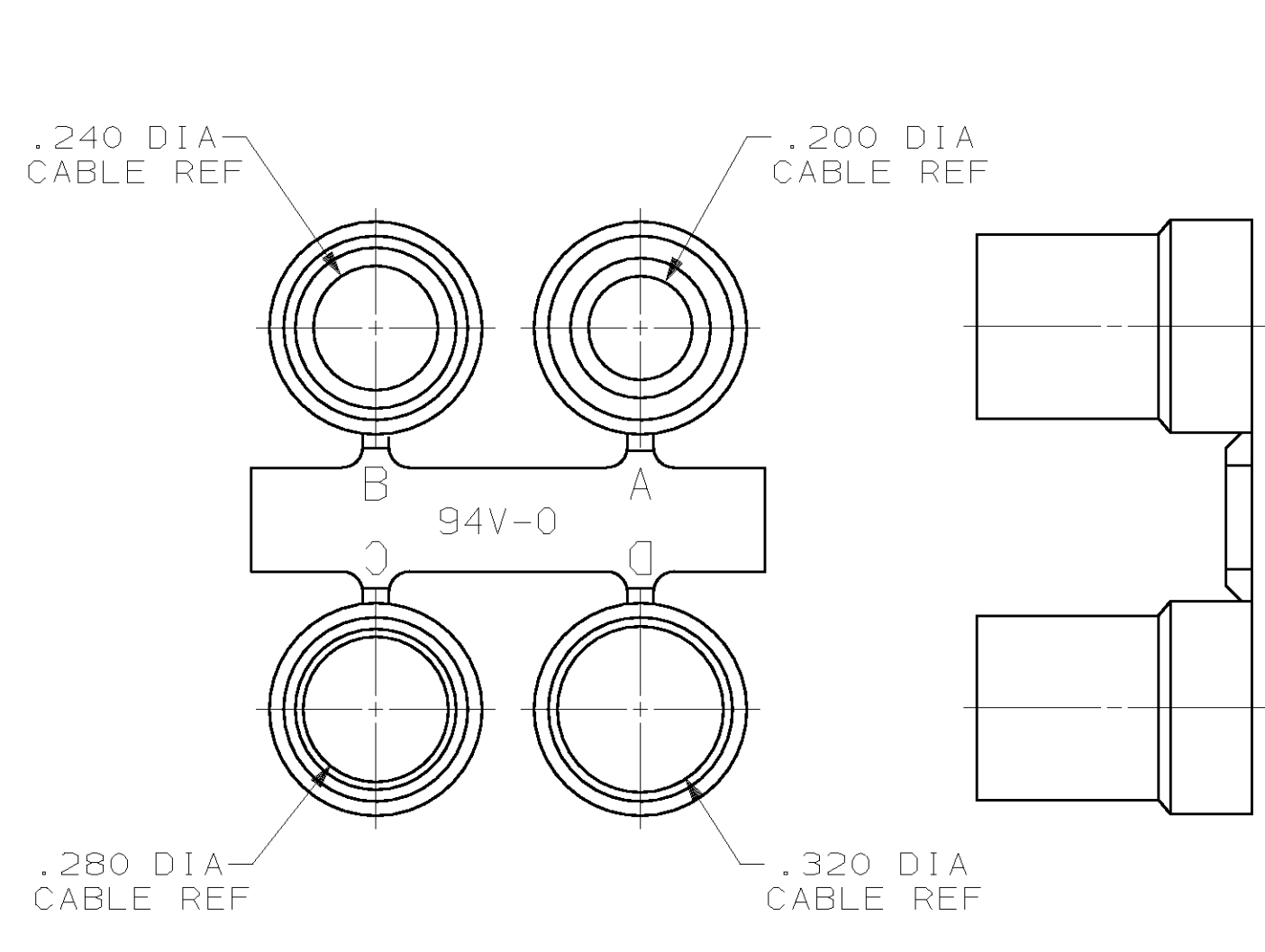


LOC		DIST		P		F		ZONE		LTR		REVISIONS			
GP	00											DESCRIPTION	DATE	APPD	
												0	RELEASED	-	-
												A	REVISED PER ECN-2422	8/24/88	SW
												B	REVISED PER ECN BD5388	11/27/91	-
												C	ADDED -6, NPR 4456, WAS 92-5897-10-1	10/30/92	SB
												D	REV PER EC 0020-117-93	03/17/93	SB
												E	REV PER EC 0020-995-93	08/11/93	SB
												F	REV PER EC 0020-1344-93	11/01/93	SB
												G	RLSE -7 EC 0020-220-94, WAS 93-5897-1-1	04/11/94	LF
												H	OBS -7 PER EC 0U1D-0245-00	05 FEB 01	DK
												J	REV PER EC 0U1D-0247-00	16 JAN 02	JR



- 1 PARTS PACKAGED UNASSEMBLED AS A UNIT KIT.
- 2 CABLE CLAMPS: ABS COMPOUND, SEE TABLE FOR COLOR, FILLISTER HEAD SCREWS, HEX NUTS & MOUNTING SCREWS: STEEL PER ASTM A108, GROMMETS: FLEXIBLE PVC, UL 94V-0 RATED, COLOR: BLACK.
- 3 CABLE CLAMPS: UNPLATED, FILLISTER HEAD SCREWS, HEX NUTS & MOUNTING SCREWS: ZINC PLATED PER ASTM B633, TYPE III, CLASS SC1, CLEAR CHROMATE.
- 4 PARTS BULK PACKAGED UNASSEMBLED.



OBSOLETE	TYPE	CABLE CLAMP COLOR	E	D	C	B	A	SIZE	PART NO
OBSOLETE	TYPE 1	BLACK	.570	.630	1.215	1.910	.984	1	748678-7
OBSOLETE	TYPE 1	GRAY	.620	.630	1.545	1.910	1.312	2	748678-6
	TYPE 2	BLACK	.900	.730	2.644	1.920	2.406	5	748678-5
	TYPE 2	BLACK	.800	.620	2.738	1.920	2.500	4	748678-4
	TYPE 2	BLACK	.680	.640	2.090	1.920	1.852	3	748678-3
	TYPE 1	BLACK	.620	.620	1.545	1.910	1.312	2	748678-2
	TYPE 1	BLACK	.570	.630	1.215	1.910	.984	1	748678-1

DO NOT SCALE PRINT. UNLESS SPECIFIED DIMENSIONS IN INCHES. TOLERANCES ON: 2 PLC DEC ±, 3 PLC DEC ±.005, ANGLES ±.

DR 5/4/88 S.WELDON  
 CHK 5/4/88 W.G.LENKER  
 APPD 5/6/88 R.WHYNE  
 APPD 5/6/88 V.KUMAR

MATERIAL: 2  
 FINISH: 3

AMP INCORPORATED  
 Harrisburg, Pa. 17105

NAME: KIT, CABLE CLAMP, 180 DEGREES EXIT, UNPLATED, BLACK, W/ GROMMETS, AMPLIMITE™

APPLICATION SPEC: -  
 WEIGHT: -

SIZE: D  
 FSCH NO: 00779  
 DRAWING NO: 748678

SCALE: 3:1  
 SHEET: 1 OF 1