

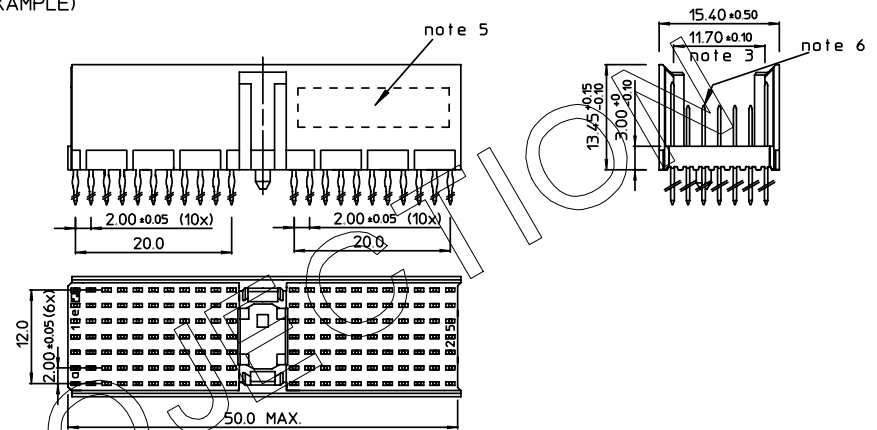
GEN. ST.	01	02	03	04	05	06	07	08	0D	50	60	70	80	90																	
INT. ST.	10	11	12	13	14	18	20	31	32	33	34	38	39	40	42	43	44	45	46	48	56	70	72	73	75	76	81	82	83	84	86

REV.	DATE	DESCRIPTION	BY	C'K'D'
A	2002-04-16	B20081	MFRET	
B	2002-05-29	EC B20086	MF	
C	2005-11-17	105-0236	ALEX B	BKP
D	2006-08-11	106-0146	VIVEK	BKP

### LOADING PATTERN MATING SIDE

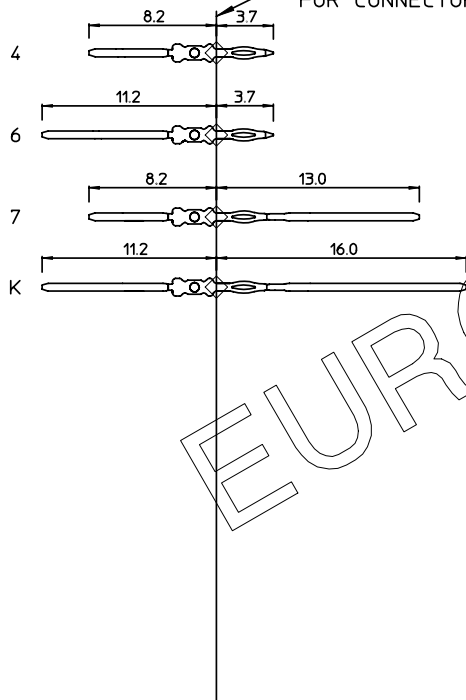
f	K	K	K	K	K	K	K	K	K	K				6	6	6	6	6	6	6	6	6	6	6	6	6														
e	7	7	7	7	7	7	7	7	7	7				4	4	4	4	4	4	4	4	4	4	4	4	4	4													
d	7	7	7	7	7	7	7	7	7	7				4	4	4	4	4	4	4	4	4	4	4	4	4	4													
c	7	7	7	7	7	7	7	7	7	7				4	4	4	4	4	4	4	4	4	4	4	4	4	4													
b	7	7	7	7	7	7	7	7	7	7				4	4	4	4	4	4	4	4	4	4	4	4	4	4													
a	7	7	7	7	7	7	7	7	7	7				4	4	4	4	4	4	4	4	4	4	4	4	4	4													
z	0	0	0	0	0	0	0	0	0	0				0	0	0	0	0	0	0	0	0	0	0	0	0	0													
SOP	0																																							
	1																																							

### LOADED CONNECTOR ASSEMBLY (FOR EXAMPLE)

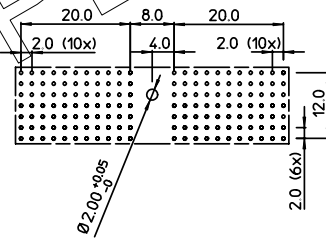


### CONTACT OVERVIEW

SEATING PLANE FOR CONNECTOR



### LAY-OUT P.C.B.-HOLE



LEAD FREE INDICATOR : LF = LEAD FREE (DIGIT 15 & 16)

HM2P07PKT1HC

PLATING CODE (DIGIT 13 AND 14) (REF DWG No. BS,C ,201844.003)

#### NOTES:

- THIS PRODUCT IS CSA APPROVED.
- THIS PRODUCT IS UL RECOGNIZED.
- MEASURED AT THE BOTTOM.
- MATERIAL CONTACT: PHOSPHORBRONZE  
HOUSING: CREAM WHITE GLASSFILLED POLYESTER UL-94V0
- CONNECTOR PRINTED WITH P/N AND DATE CODE.
- FOR ACTUAL CONTACT LOADINGS, SEE LOADING PATTERN MATING SIDE.
- SHAPE OF CONNECTOR HOUSING CAN ALTER DEPENDING ON PRODUCTION LOCATION.
- THE PRODUCT (LF) MEETS EUROPEAN UNION DIRECTIVES AND OTHER COUNTRY REGULATIONS AS DESCRIBED IN GS-22-008
- FOR RECOMMENDED PTH DIMENSIONS REFER DRAWING : BS,A ,201572.001

1DEC ±0.2 2DEC ±0.1 ANGLES ±1°	APPR.	DATE	SIGN.	MPACS 5+1R STR HDR CONN TYPE A
	DRAFT	2002-04-15	M.Fret	CAT. No. HM2P07PKT1HC----
WE RESERVE THE RIGHT TO CHANGE DIMENSIONS OR REQUIREMENTS WITHOUT PRIOR NOTICE. ALL DIMENSIONS IN MM	CHECKED			SCALE
	PROD. MGR.			www.fciconnect.com
	PR. ENG. MGR.			
	PR. MGT. MGR.			

#### REFERENCES

