

DRAWING MADE IN THIRD ANGLE PROJECTION

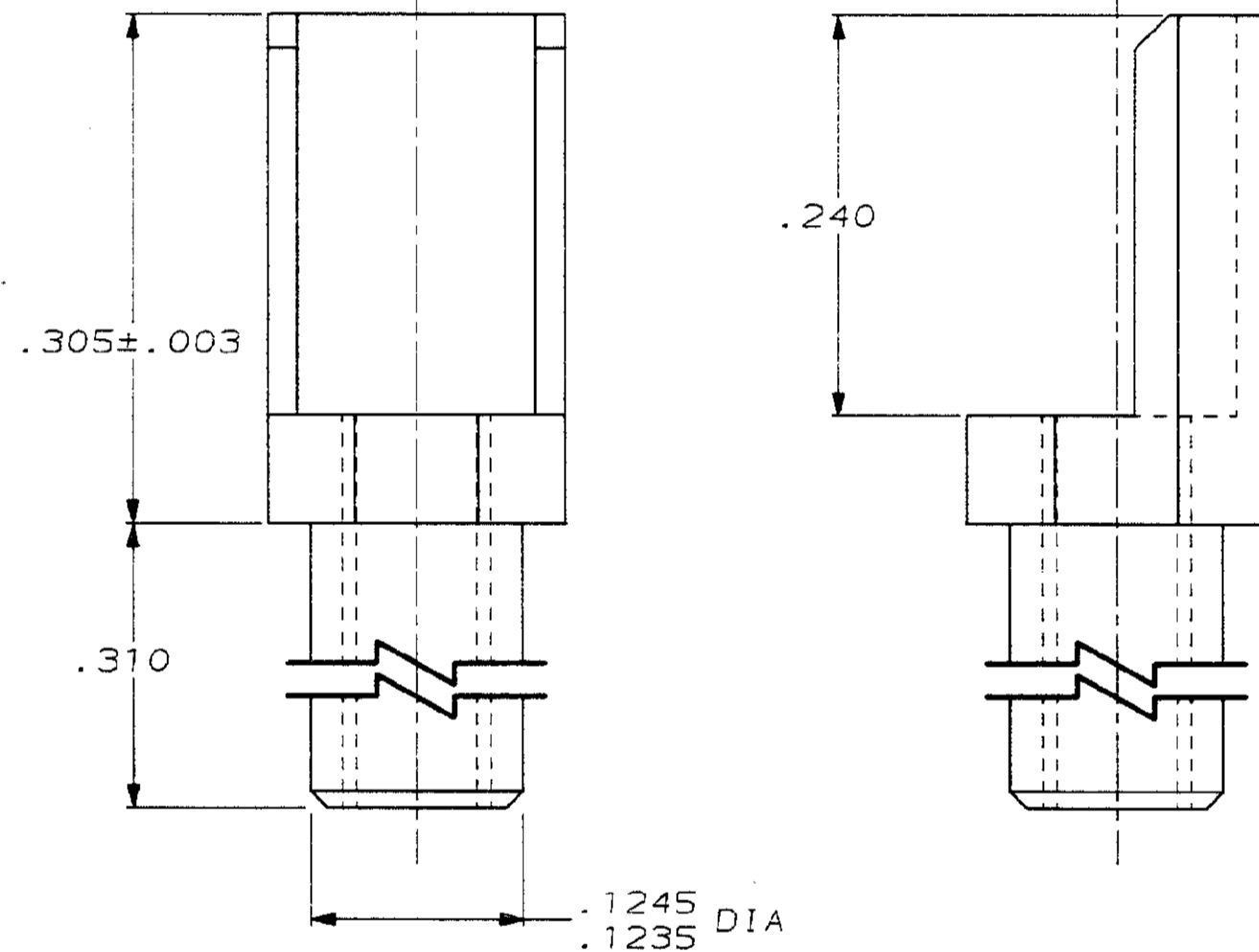
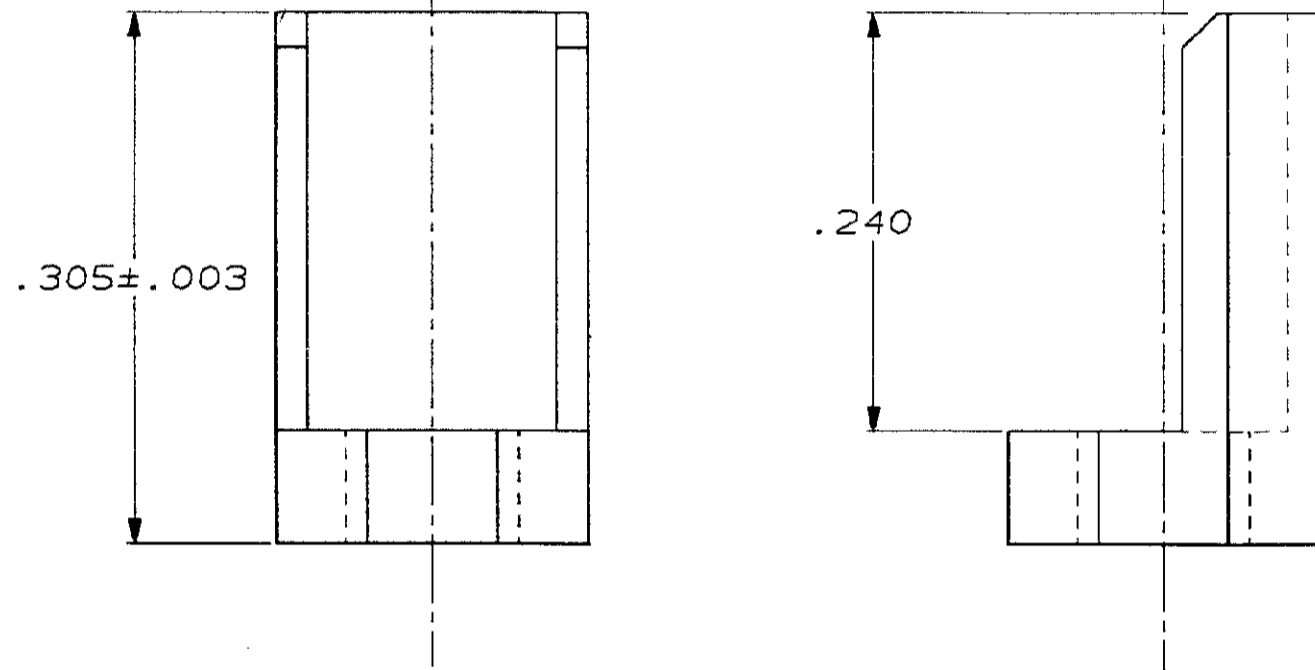
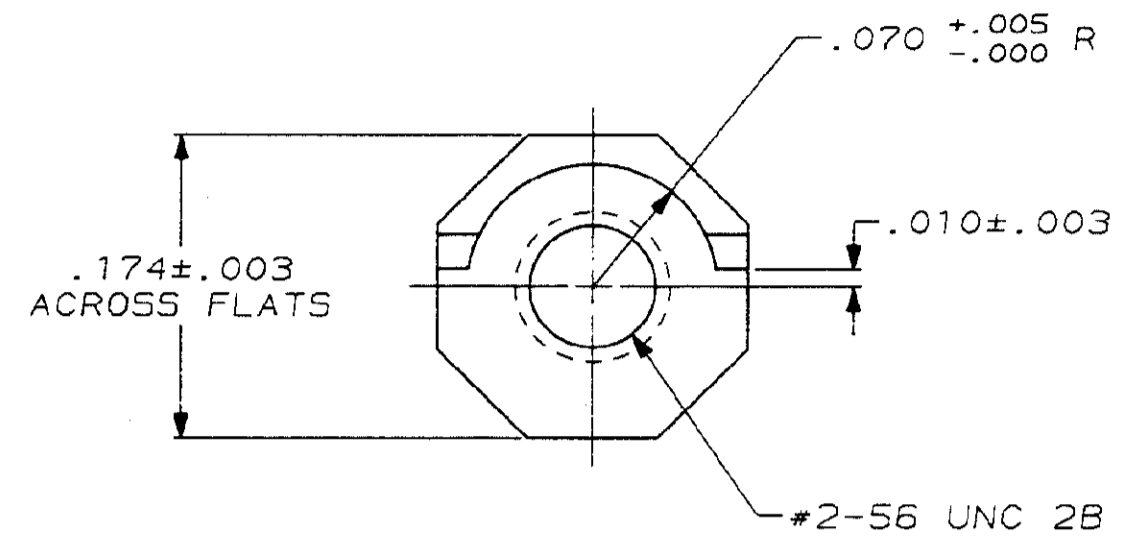
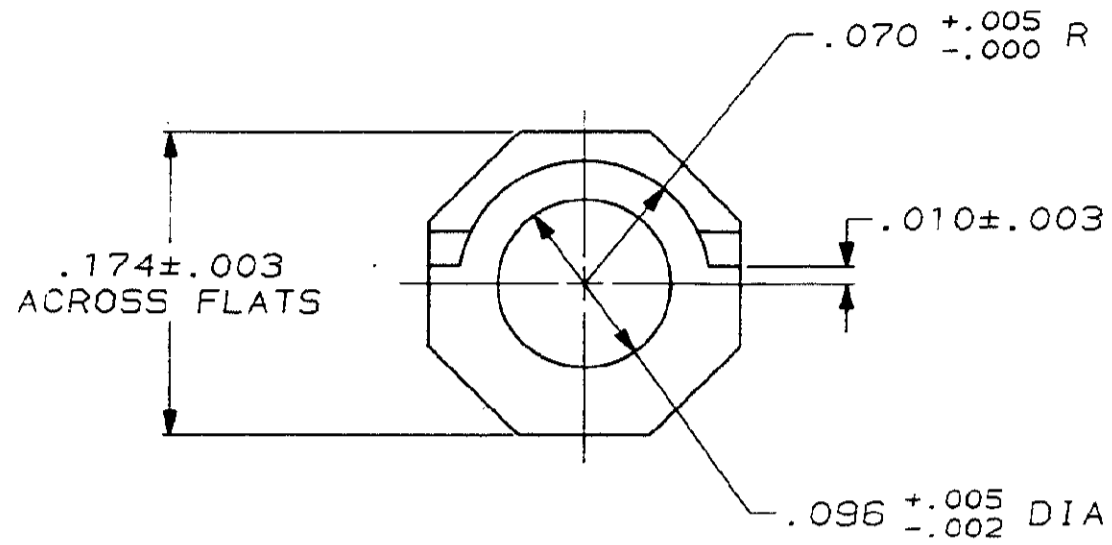
3

2

LOC DIST
AB 4

THIS DRAWING IS UNPUBLISHED. RELEASED FOR PUBLICATION
 © COPYRIGHT 19 BY AMP INCORPORATED, HARRISBURG, PA. ALL INTERNATIONAL RIGHTS RESERVED. AMP PRODUCTS MAY BE COVERED BY U.S. AND FOREIGN PATENTS AND/OR PATENTS PENDING.

REVISIONS						
P	F	ZONE	LTR	DESCRIPTION	DATE	APPROVED
✓	✓		0	WAS 86-5485-020	10/06/86	KEW



534763-1 AS SHOWN
TYPE 1

534763-3 AS SHOWN
TYPE 2

PROTOTYPE STATUS
PACOM DEVELOPMENT ENGINEERING

UNLESS OTHERWISE SPECIFIED DIMENSIONS ARE IN INCHES. TOLERANCES ON: DECIMALS ±.005 ANGLES ±		CONTRACT NO		PART NO	
MATERIAL STAINLESS STEEL PER QQ-S-763 CLASS 303		DR <i>QBH</i>		AMP INCORPORATED Harrisburg, Pa.	
FINISH PASSIVATED PER QQ-P-35		CHK <i>DJM</i> 10-9-86		NAME HDI SERIES 25, EXTERNAL KEY	
		APPD <i>DJM</i> 10-9-86		DRAWING NO 534763	
		DSGN APPD		SIZE C FSCM NO 00779	
		OTHER APPD		DRAWING NO 534763	
				SCALE 10:1 SHEET 1 of 1	