



MADE
IN THE **USA**

Product Description:

- Glove Box Dispenser - Single - Locking
- Holds one box of gloves
- Locking pivot hinge lid
- Keyholes for wall mounting
- Quartz Beige ABS Plastic

Primary Area for Product Usage:

- Anywhere gloves are needed

Dispenses:

- Box(es) no larger than 5.50"W x 10.50"H x 4.25"D (14.0 cm x 25.4 cm x 9.5 cm)
- Box(es) no smaller than 4.50"W x 8.00"H x 3.00"D (11.4 cm x 22.9 cm x 7.6 cm)

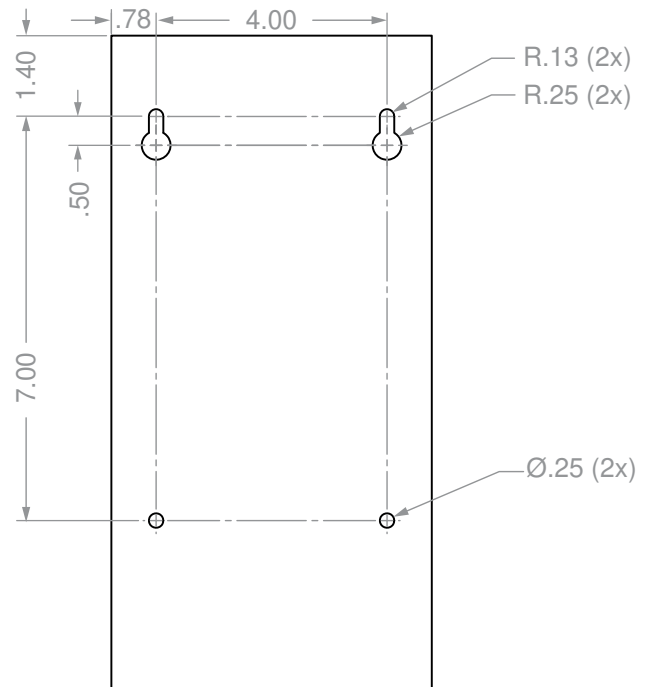
Package Specifications:

- Package Quantity: 6 per case
- 21"L x 14"W x 10"H (40.6 cm x 30.5 cm x 30.5 cm)
- 8.0 lbs (4.1 kg) - approximated

Product Specifications (overall external dimensions):

- 5.93"W x 11.39"H x 4.43"D (15.1 cm x 28.9 cm x 11.3 cm)
- 1.0 lbs (0.5 kg) - approximated

Mounting Specifications:



Related Products (each sold separately):

- FM403-0111: Face Mask Dispenser - Bulk - Locking (shown below)

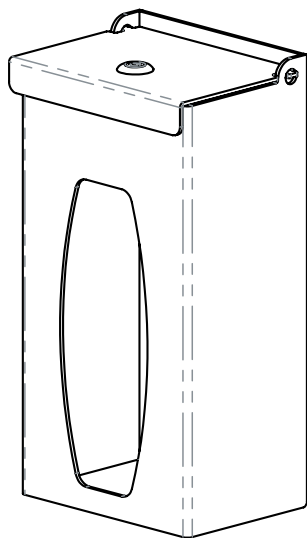




Installation

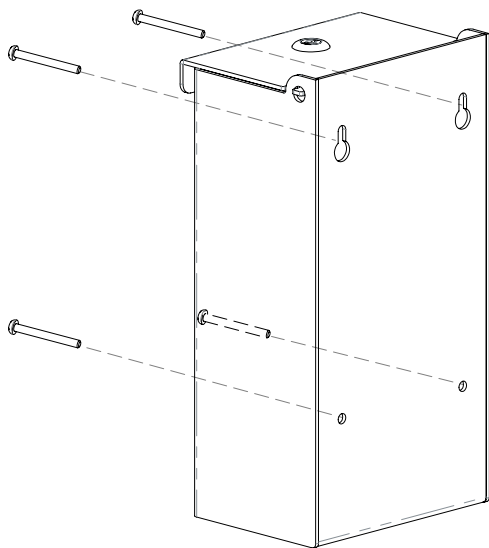
Always mount dispensers securely *prior* to loading with product.

- Locking lid keeps boxed contents secure.



1

- Mount securely to a wall with screws approved and supplied by building maintenance.



2

Parts included:

- Dispenser
- 2x keys

Tools Required:

- No tools required to assemble dispenser

Care and Construction

ABS Plastic

Material Characteristics

Designed for Long-Term, Heavy-Duty Applications

The combination of copolymers (Acrylonitrile, Butadiene, and Styrene) gives ABS an excellent combination of strength, rigidity, and toughness.

ABS is chemical, stress-crack resistant, dimensionally stable, and will hold up to long-term use. It possesses high strength and performance characteristics at a reasonable cost.

Care and Cleaning

Use mild soap and water to clean. Petroleum-based oils, solvents, and paints should not be used.

Standard hospital cleaning supplies are approved for use on our ABS plastic products.