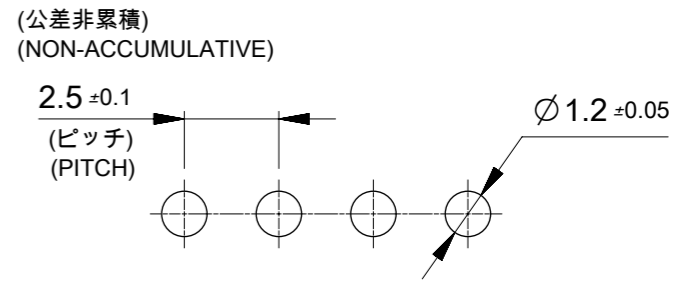


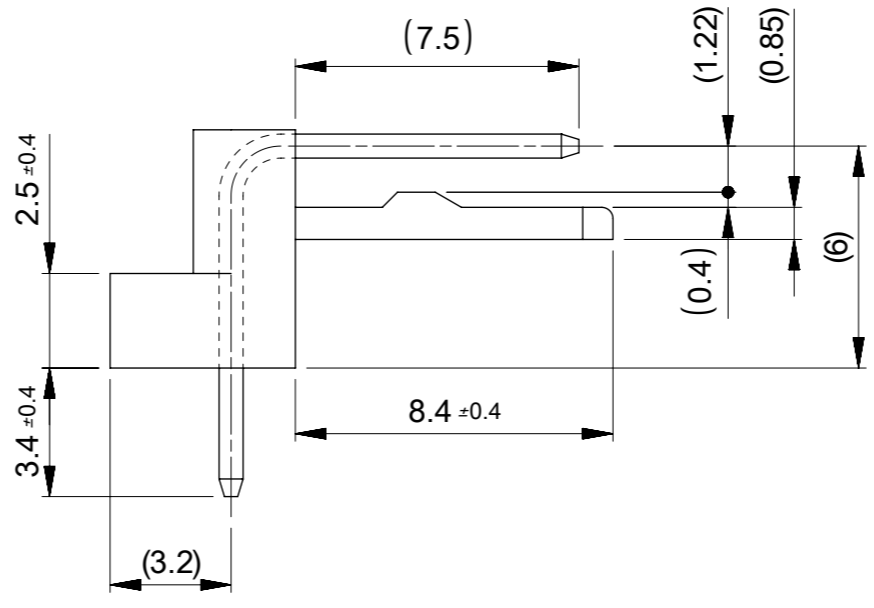
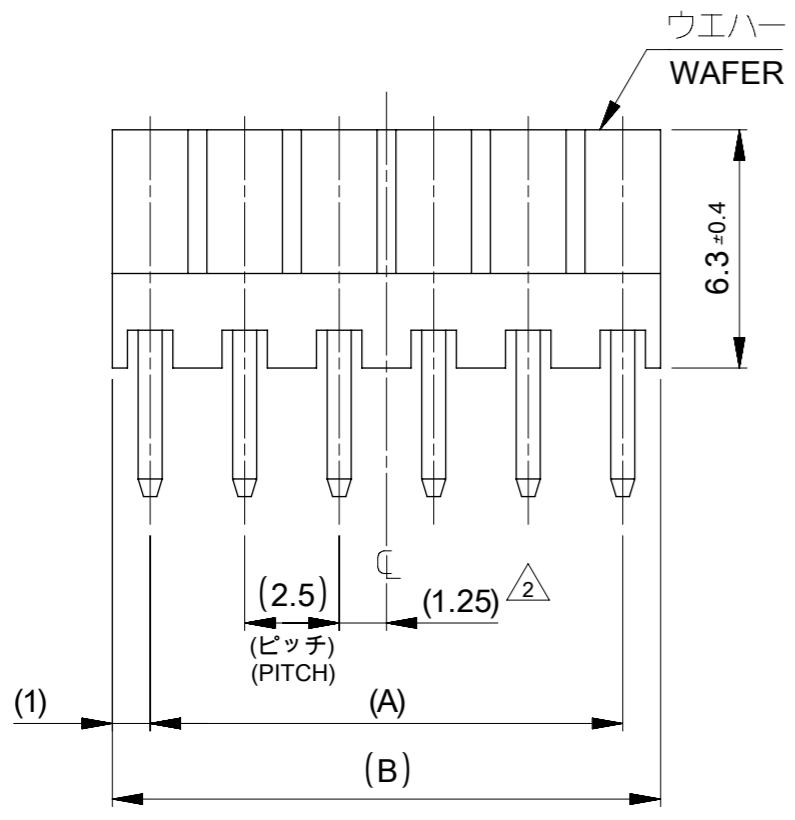
注記

NOTES:

1. 材料(MATERIAL)  
 ウェハー : ポリアミド, UL94V-0  
 WAFER: POLYAMIDE, UL94V-0  
 ピン: □0.635 黄銅  
 ニッケル下地: 2micro-meter MIN. 金めっき: 0.35micro-meter MIN.  
 PIN: □0.635 BRASS  
 NICKEL: 2micro-meter MIN. Au PLATING: 0.35micro-meter MIN.
- △ 全極数が偶数の場合のみ適用。  
 APPLY FOR EVEN CIRCUITS PRODUCT ONLY.
3. 本図面はSD-5046-NAG REV-Fの再作成図面です。  
 THIS DOCUMENT HAS BEEN RE-DRAWING BASED ON SD-5046-NAG, REV-F.



基板取付穴推奨寸法  
 RECOMMENDED P.W.BOARD HOLE DIM.



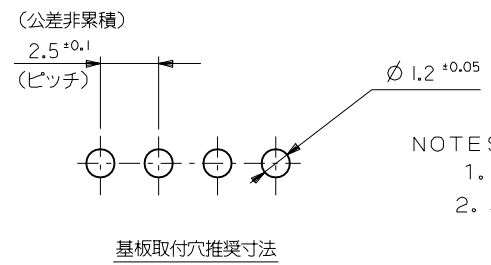
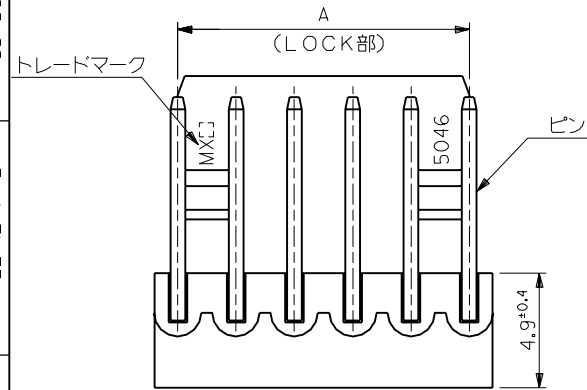
29.5	27.5	22121122	5046-12AG	12
24.5	22.5	22121102	5046-10AG	10
22	20	22121092	5046-09AG	9
19.5	17.5	22121082	5046-08AG	8
17	15	22121072	5046-07AG	7
14.5	12.5	22121062	5046-06AG	6
12	10	22121052	5046-05AG	5
9.5	7.5	22121042	5046-04AG	4
7	5	22121032	5046-03AG	3
4.5	2.5	22121022	5046-02AG	2
(B)	(A)	ORDER NO.	ENG. NO.	CKT.

THIS DRAWING CONTAINS INFORMATION THAT IS PROPRIETARY TO MOLEX ELECTRONIC TECHNOLOGIES, LLC AND SHOULD NOT BE USED WITHOUT WRITTEN PERMISSION

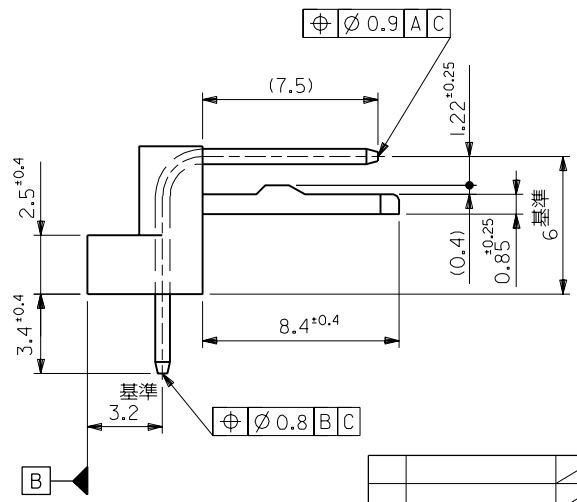
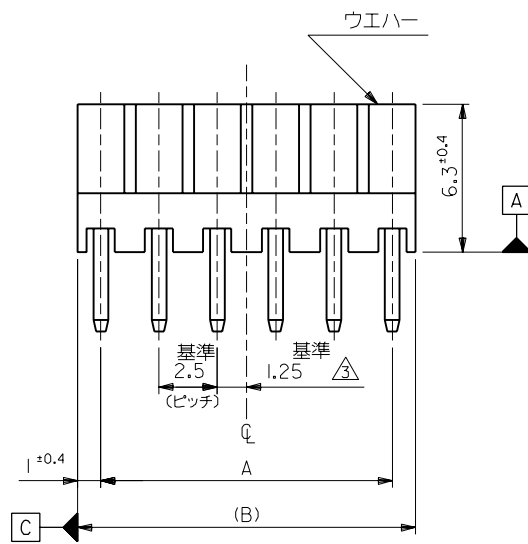
DIMENSION UNITS	SCALE	CURRENT REV DESC: REVISED&REDRAWING		
mm	5:1			
GENERAL TOLERANCES (UNLESS SPECIFIED)				
ANGULAR TOL	± °	EC NO: 603664		
4 PLACES	±	DRWN: ABABU01	2017/11/28	KK 2.5 RIGHT ANGLE WAFER ASS'Y PRODUCT CUSTOMER DRAWING
3 PLACES	±	CHK'D: SAKIYAMA	2019/06/21	
2 PLACES	± 0.2	APPR: KOMURAKAMI	2019/06/21	
1 PLACE	± 0.2	INITIAL REVISION:		
0 PLACES	± 0.2	DRWN: ABABU01	2017/11/28	DOCUMENT NUMBER
DRAFT WHERE APPLICABLE MUST REMAIN WITHIN DIMENSIONS		APPR: KOMURAKAMI	2019/06/21	50460001
THIRD ANGLE PROJECTION		DRAWING	SERIES	MATERIAL NUMBER
		A3-SIZE	5046	SEE CHART
		CUSTOMER	SHEET NUMBER	
		GENERAL	1 OF 1	

ENG. NO. SD-5046-NAG  
EDP NO. 22-12-1\*\*2

MM DIMENSIONS IN METRIC DO NOT SCALE DRAWING



NOTES:  
 1. そり長さは25.4に対して0.2MAX.  
 2. 材料  
 ウエハー: 66ナイロン, UL94V-0  
 ピン: □0.635 黄銅  
 ニッケル下地: 2µm MIN.  
 金メッキ: 0.35µm MIN.  
 △ 全極数が偶数の場合のみ適用



49.5	47.5	22-12-1202	5046-20AG	20
47	45	-1192	-19AG	19
44.5	42.5	-1182	-18AG	18
42	40	-1172	-17AG	17
39.5	37.5	-1162	-16AG	16
37	35	-1152	-15AG	15
34.5	32.5	-1142	-14AG	14
32	30	-1132	-13AG	13
29.5	27.5	-1122	-12AG	12
27	25	-1112	-11AG	11
24.5	22.5	-1102	-10AG	10
22	20	-1092	-09AG	9
19.5	17.5	-1082	-08AG	8
17	15	-1072	-07AG	7
14.5	12.5	-1062	-06AG	6
12	10	-1052	-05AG	5
9.5	7.5	-1042	-04AG	4
7	5	-1032	-03AG	3
4.5	2.5	22-12-1022	5046-02AG	2
(B)	A	EDP NO.	ENG.NO.	極数

角度 ANGLE	±3°				
30以上 OVER					
10以上 30未満 UNDER	±0.25	F	変更及び再作図 (J0040) IN M	DR. 90/4/18	
10未満 UNDER	±0.2	記号	変更内容	DR. 日付	
一般公差 GENERAL TOLERANCES		LTR	REVISION RECORD	CHK. DATE	

材料 MATERIAL	図中参照
仕上げ FINISH	— / —
適用電線範囲 WIRE RANGE	— / —
被覆外径 INS. RANGE	— / —
DRAWN BY 90/3/23	CHK'D BY 92/10/21
Y.MIZUNO	M.FUKUSHIMA
APP'D BY 92/10/21	尺 度
M.ENOMOTO	SCALE 5-1

molex MOLEX-JAPAN CO.,LTD. 日本モレックス株式会社	
EDP. NO.	22-12-1**2
ENG. NO.	SD-5046-NAG
TITLE 名称	KK2.5 RIGHT ANGLE WAFER ASS'Y
REV F	

THIS DRAWING CONTAINS INFORMATION THAT IS PROPRIETARY TO MOLEX(JAPAN) AND SHOULD NOT BE USED WITHOUT WRITTEN PERMISSION  
 本図面は日本モレックス(株)の所有する情報を含むもので 当社の許可なく複製を禁止する。

MXJ-8