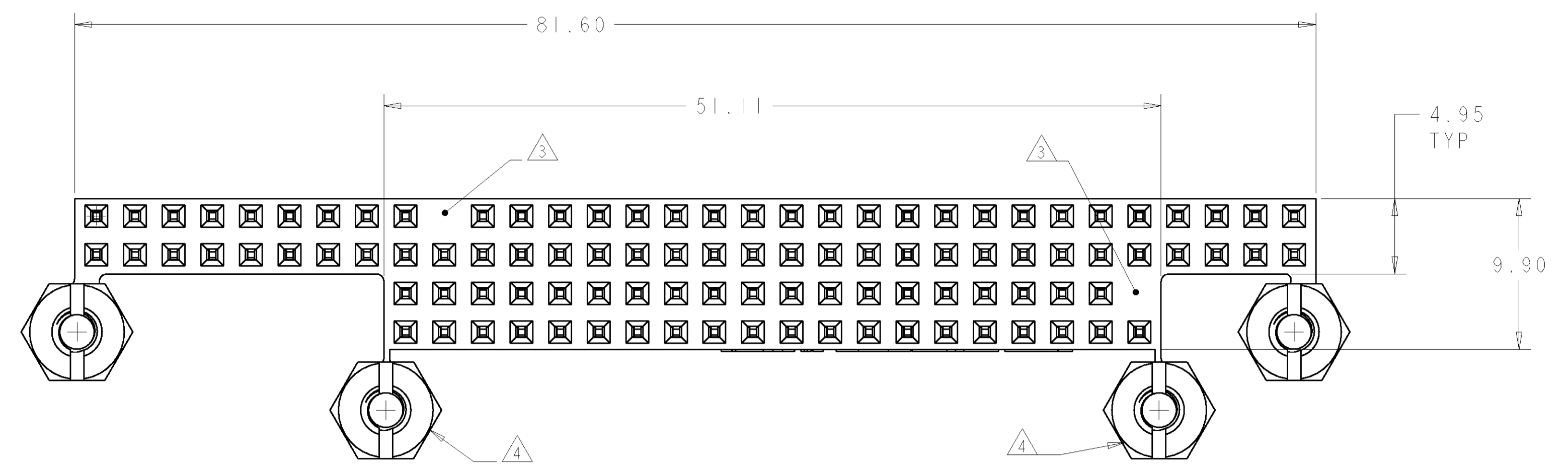
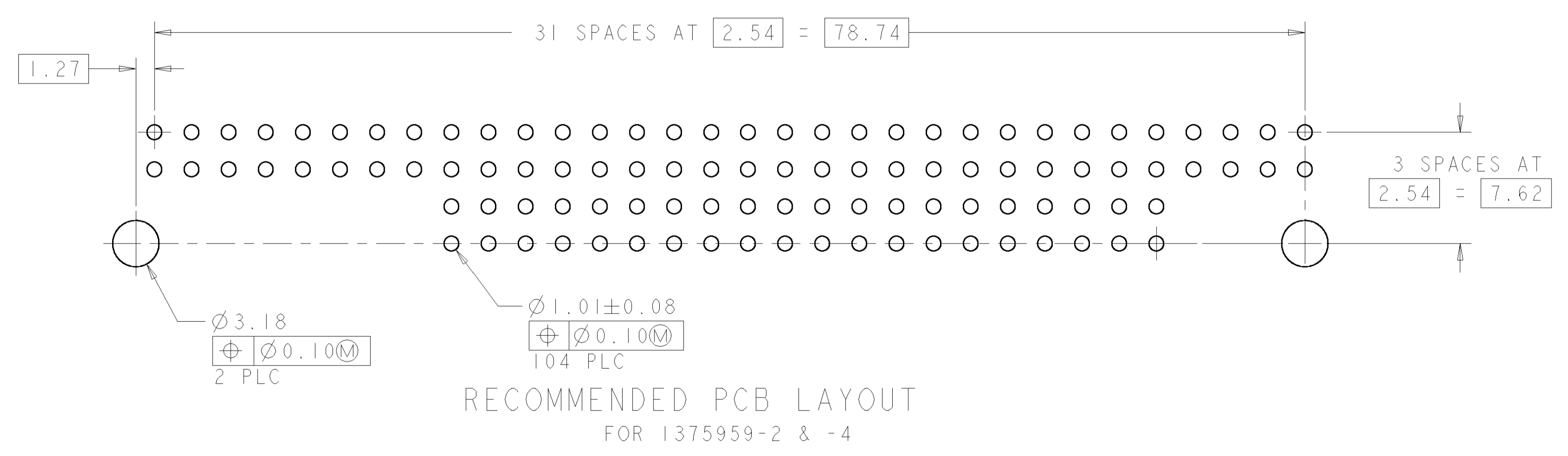
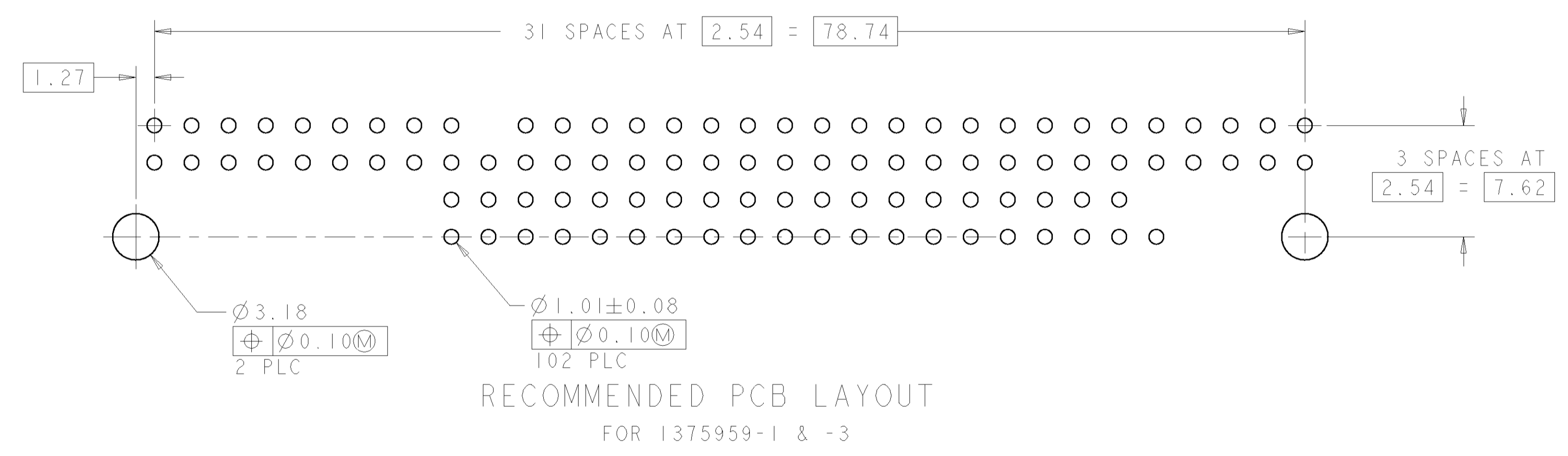
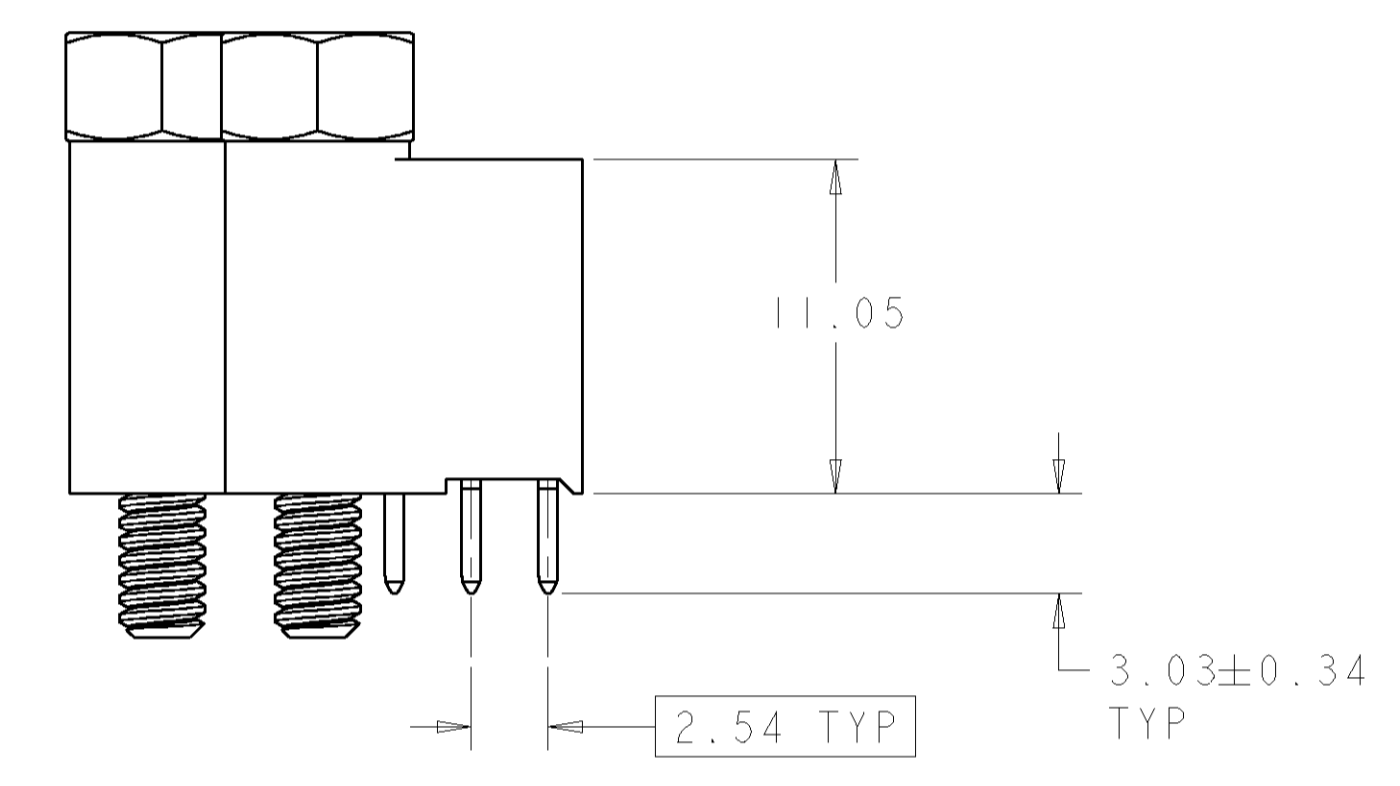
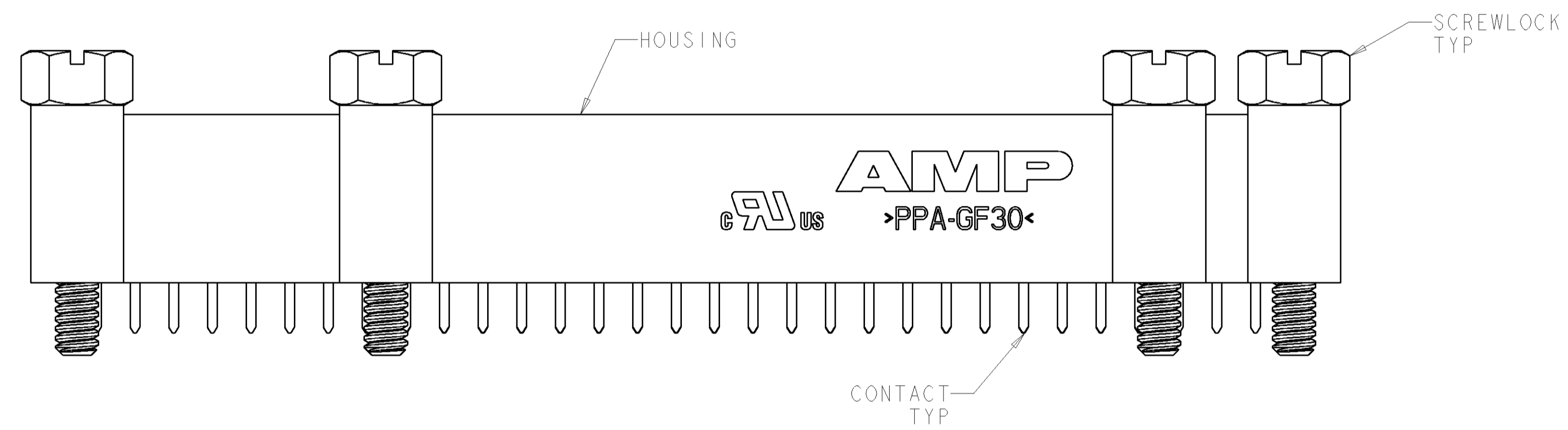


LOC		DIST		REVISIONS			
AD	00	P	LTR	DESCRIPTION	DATE	DWN	APVD
		0		REV PER OG3C-0223-02	01MAY2001	RB	JO
		A		REV PER EC OG3C-0313-04	26AUG2004	MB	JO



- △ HOUSING: HIGH TEMPERATURE, GLASS FILLED NYLON, COLOR: BLACK.
CONTACTS: PHOSPHOR BRONZE.
SCREWLOCKS: STEEL.
- △ CONTACTS: 0.000381 MIN GOLD ON MATING RECEPTACLE END, 0.00254 BRIGHT TIN-LEAD ON REMAINDER, ALL OVER 0.001270 NICKEL.
SCREWLOCKS: CLEAR CHROMATE OVER ZINC.
- △ NO CONTACT IN THIS POSITION, FOR PART NUMBER 1375959-1 & -3 ONLY.
- △ BREAK-AWAY SCREWLOCK/STANDOFF.
- △ CONTACTS: 0.000381 MIN GOLD ON MATING RECEPTACLE END, 0.00254-0.00508 MATTE TIN ON REMAINDER, ALL OVER 0.001270 NICKEL.
SCREWLOCKS: CLEAR CHROMATE OVER ZINC.
- △ LEAD FREE PART TO BE USED ON LEAD FREE PCB'S.



FINISH	KEYED CIRCUITS	PART NO
△ 5	NO	1375959-4
△ 5	△ 3 YES	1375959-3
△ 2	NO	1375959-2
△ 2	△ 3 YES	1375959-1

DIMENSIONS: mm TOLERANCES UNLESS OTHERWISE SPECIFIED: 0 PLC ± 1 PLC ±0.01 2 PLC ±0.01 3 PLC ± 4 PLC ± ANGLES ± FINISH △ 5/2		DWN W.G. LENKER 02JUN2000 ENR L.BREKOSKY TSJAN2001 APVD - PRODUCT SPEC 108-1956 APPLICATION SPEC 114-13021 WEIGHT - CUSTOMER DRAWING	AMP Tyco Electronics Harrisburg, PA 17105-3608 ASSEMBLY, PC/104, NON-STACKTHROUGH CONTACTS, 4 STANDOFFS, SOLDER SIZE CAGE CODE DRAWING NO RESTRICTED TO A1 00779 C=1375959 - SCALE 4:1 SHEET 1 OF 1 REV A
---	--	--	--