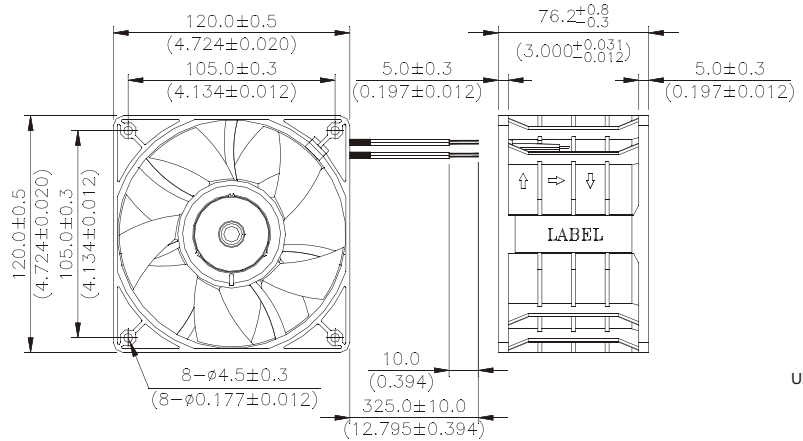


GFB 120 x 120 x 76.2 MM SERIES

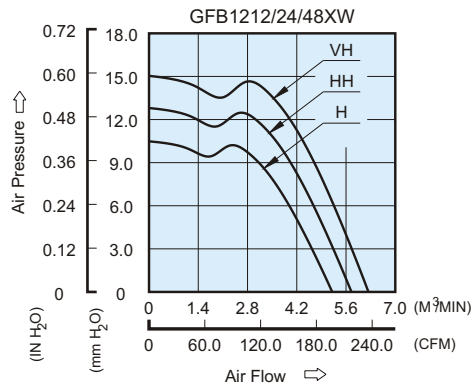
DIMENSIONS DRAWING



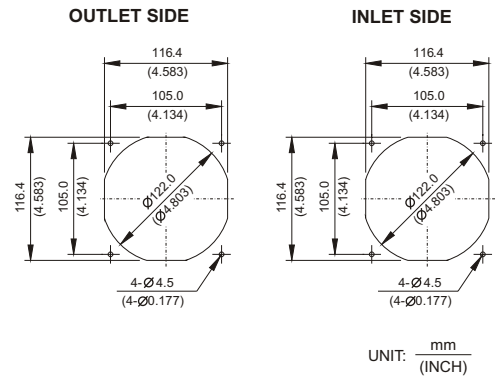
UNIT: $\frac{\text{mm}}{\text{(INCH)}}$

- * Bearing Type
Ball Bearings
- * Material
Impeller & Frame : Plastic(UL 94V-0)
- * Lead Wires :
UL 1061 AWG #24 OR Equivalent
Red Wire Positive(+)
Black Wire Negative(-)
- * Weight : 570g (20.10 OZ)

P & Q CURVE (AT RATED VOLTAGE)



MOUNTING PANEL CUTOUT



UNIT: $\frac{\text{mm}}{\text{(INCH)}}$

| MODEL | | Rated Voltage | Operating Voltage Range | Rated Current | Rated Input Power | Speed (Front /Rear) | Maximum Air Flow | | Maximum Air Pressure | | Noise |
|------------|-------------|---------------|-------------------------|---------------|-------------------|---------------------|---------------------|--------|----------------------|---------------------|-------|
| PART NO. | FUNCTION | VDC | VDC | Amp | Watt | R.P.M. | m ³ /min | CFM | mmH ₂ O | IN H ₂ O | dB-A |
| GFB1212HW | -R00 / -F00 | 12 | 7.0 to 13.2 | 1.44 | 17.28 | 2950/2750 | 5.208 | 183.92 | 10.48 | 0.413 | 55.5 |
| GFB1224HW | -R00 / -F00 | 24 | 14.0 to 26.4 | 0.68 | 16.32 | | | | | | |
| GFB1248HW | -R00 / -F00 | 48 | 28.0 to 53.0 | 0.39 | 18.72 | | | | | | |
| GFB1212HHW | -R00 / -F00 | 12 | 7.0 to 13.2 | 1.89 | 22.68 | 3250/3000 | 5.755 | 203.24 | 12.80 | 0.504 | 57.0 |
| GFB1224HHW | -R00 / -F00 | 24 | 14.0 to 26.4 | 0.95 | 22.80 | | | | | | |
| GFB1248HHW | -R00 / -F00 | 48 | 28.0 to 53.0 | 0.55 | 26.40 | | | | | | |
| GFB1212VHW | -R00 / -F00 | 12 | 7.0 to 13.2 | 2.65 | 31.80 | 3550/3200 | 6.238 | 220.29 | 15.04 | 0.592 | 59.0 |
| GFB1224VHW | -R00 / -F00 | 24 | 14.0 to 26.4 | 1.21 | 29.04 | | | | | | |
| GFB1248VHW | -R00 / -F00 | 48 | 28.0 to 53.0 | 0.62 | 29.76 | | | | | | |

* Function type is optional.
 * The max. air flow and the speed are measured in free air ; max. air pressure is measured at zero air flow.
 * Noise is measured in anechoic chamber in free air, one meter from intake side.
 * All readings are typical values at rated voltage.
 * Specifications are subject to change without notice.