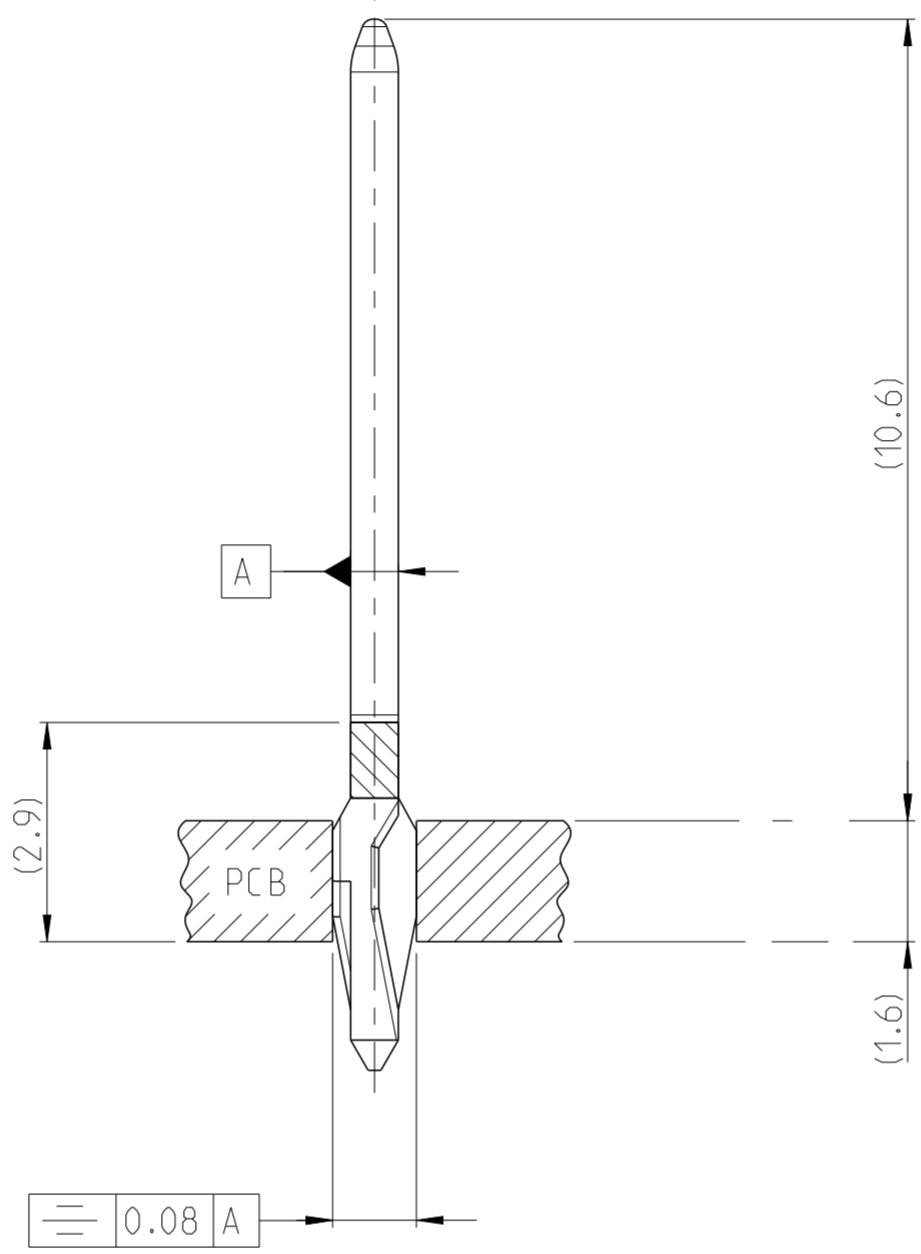
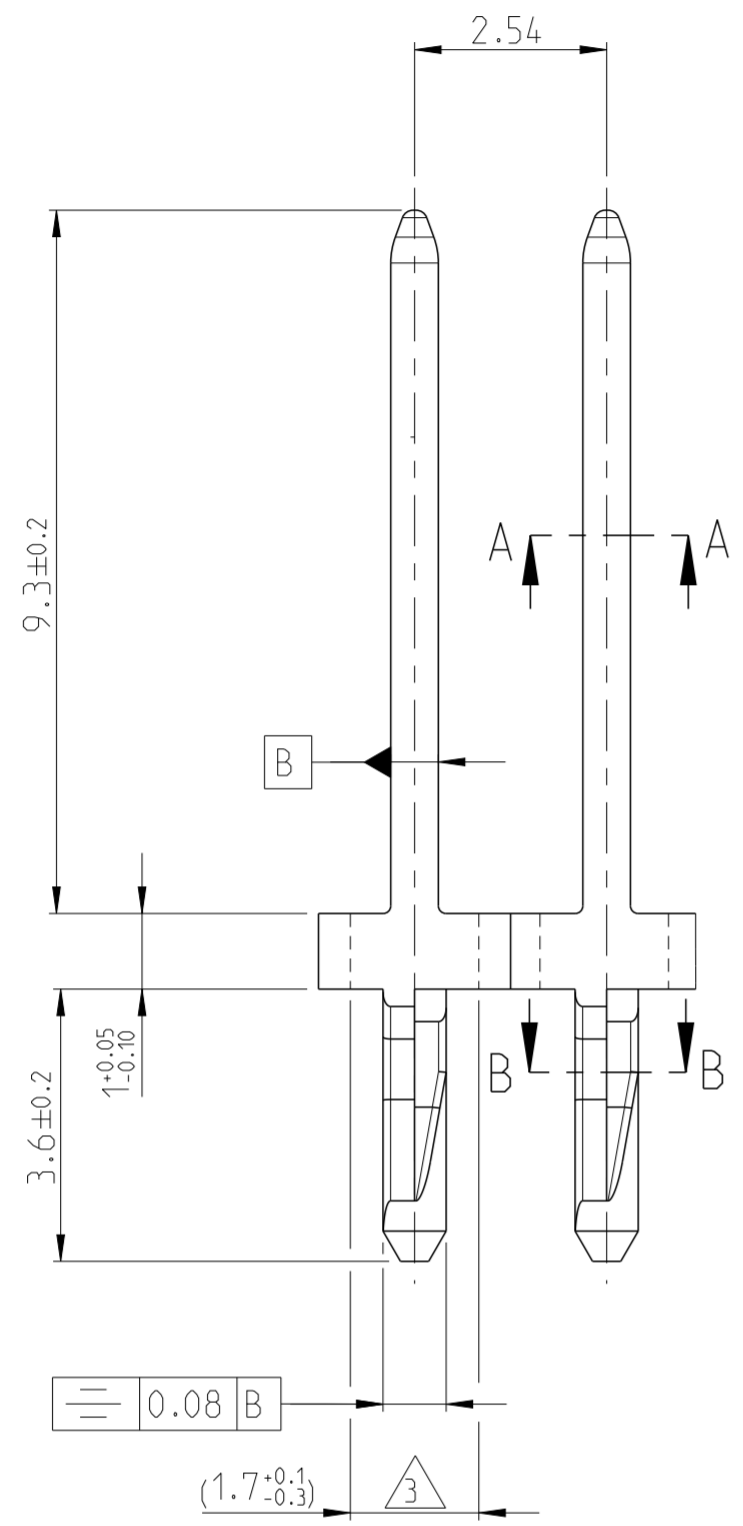
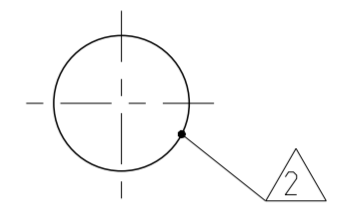


THIS DRAWING IS UNPUBLISHED  
 RELEASED FOR PUBLICATION 2013  
 ALL RIGHTS RESERVED.

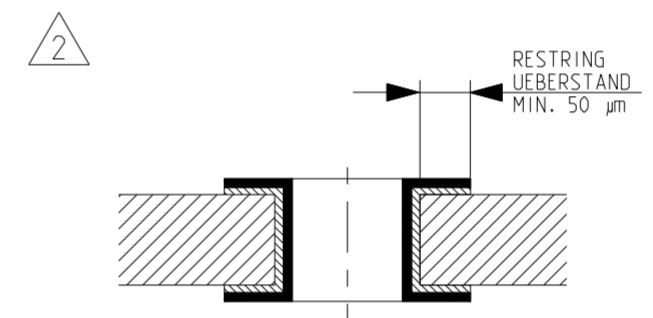
LOC	DIST	REVISIONS			
P	LTR	DESCRIPTION	DATE	DWN	APVD
IR	-	A	INITIAL RELEASE	18JAN2013	PKS RRP

PCB-LAYOUT  
 Leiterplatten-Layout



NOTES:  
 BEMERKUNGEN:

1 1 µm - 3 µm Sn OVER Ni  
 1 µm - 3 µm Sn ueber Ni



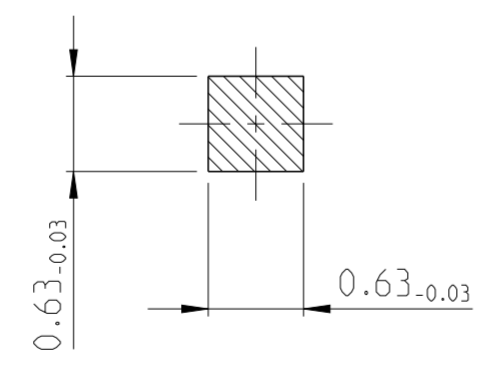
PLATED THROUGH HOLE SPECIFICATION Spezifikation fuer durchplatierte Bohrungen	
Cu THICKNESS Kupferschichtdicke	25-50 µm
Sn THICKNESS Zinnschichtdicke	4-15 µm
DRILLED HOLE Ø1.15±0.025 Bohrloch-Ø1.15±0.025	FINISHED HOLE Ø0.94 <sup>+0.15</sup> plattierter Loch-Ø0.94 <sup>+0.15</sup>

3 DIMENSION OF LOOSE PIESE  
 Mass fuer Einzelteil

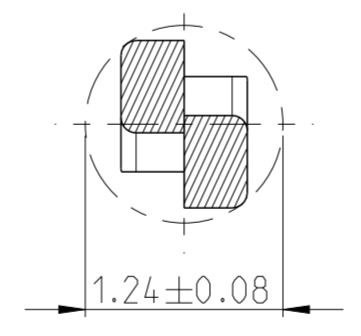
4 TO BE REELED ON PLASTIC REEL WITH INTERLEAVING PAPER  
 Kunststoffspulen mit Zwischenlagenpapier

5 PACKAGING QUANTITY: 45K PCS PER REEL

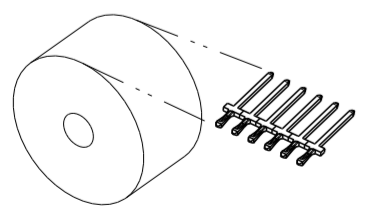
A-A  
 20:1



B-B  
 20:1



DIRECTION OFF  
 TOP OF REEL



TOLERANCES UNLESS OTHERWISE SPECIFIED ACC. TO DIN 16901-140 CENTRIC TO NOMINAL DIMENSION. EDITION 1982-11 SHALL APPLY. Freimass toleranzen nach DIN 16901-140. Es gilt die Ausgabe 1982-11.		DWN SETHIL 18JAN2013	
THIS DRAWING IS A CONTROLLED DOCUMENT.		CHK RAJESH 18JAN2013	
DIMENSIONS: mm		APVD RAJENDRA 18JAN2013	
TOLERANCES UNLESS OTHERWISE SPECIFIED:		NAME	
0 PLC ±	1 PLC ±	MGS-PIN WITH ACTION PIN	
2 PLC ±	3 PLC ±	MGS-Stift mit ACTION-PIN	
4 PLC ±	ANGLES ±	-	
FINISH		SIZE CAGE CODE DRAWING NO RESTRICTED TO	
		A2 100779 C-2178527 -	
MATERIAL		WEIGHT	
		-	
Customer Drawing		SCALE 5:1 SHEET 1 OF 1 REV A	

2178527-2	CuNiSi	1	4
PART NO.	MATERIAL	SURFACE	REELPACKING

