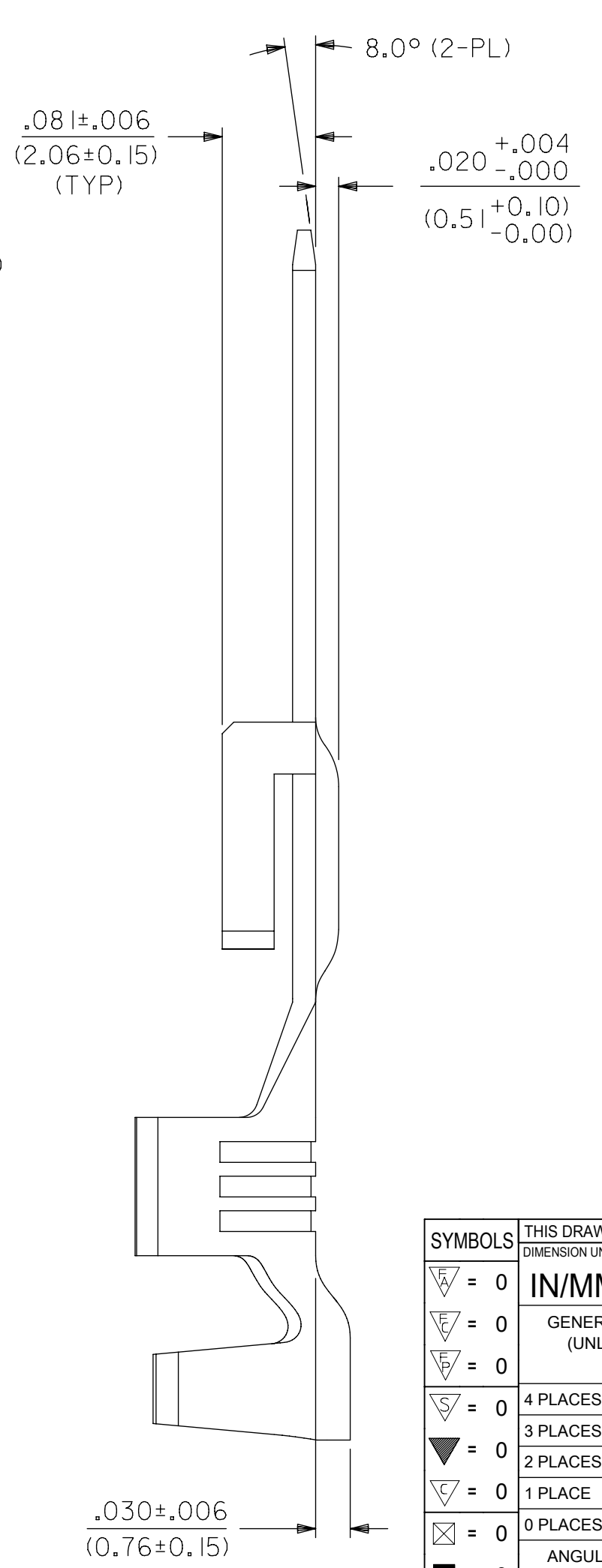
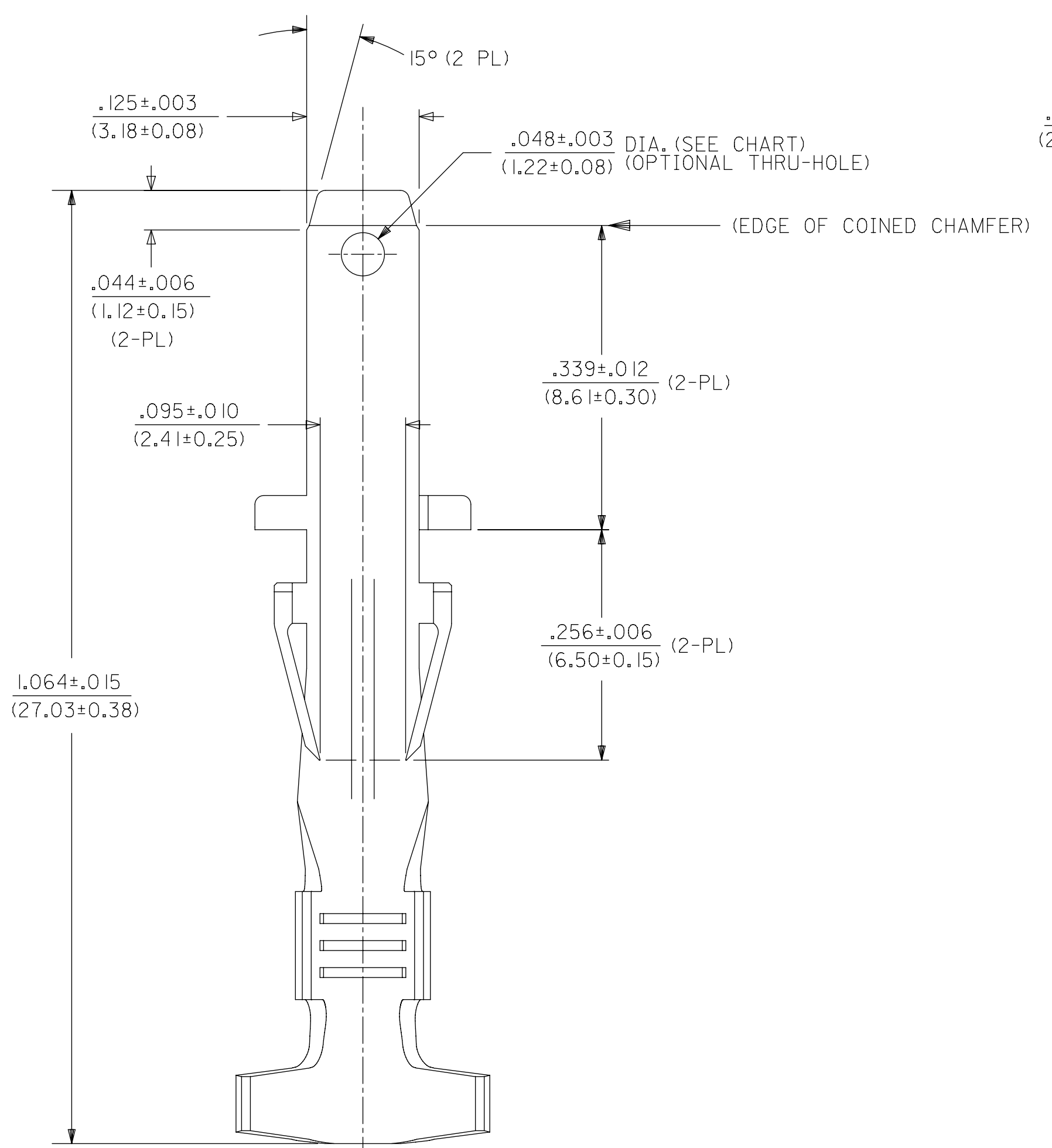
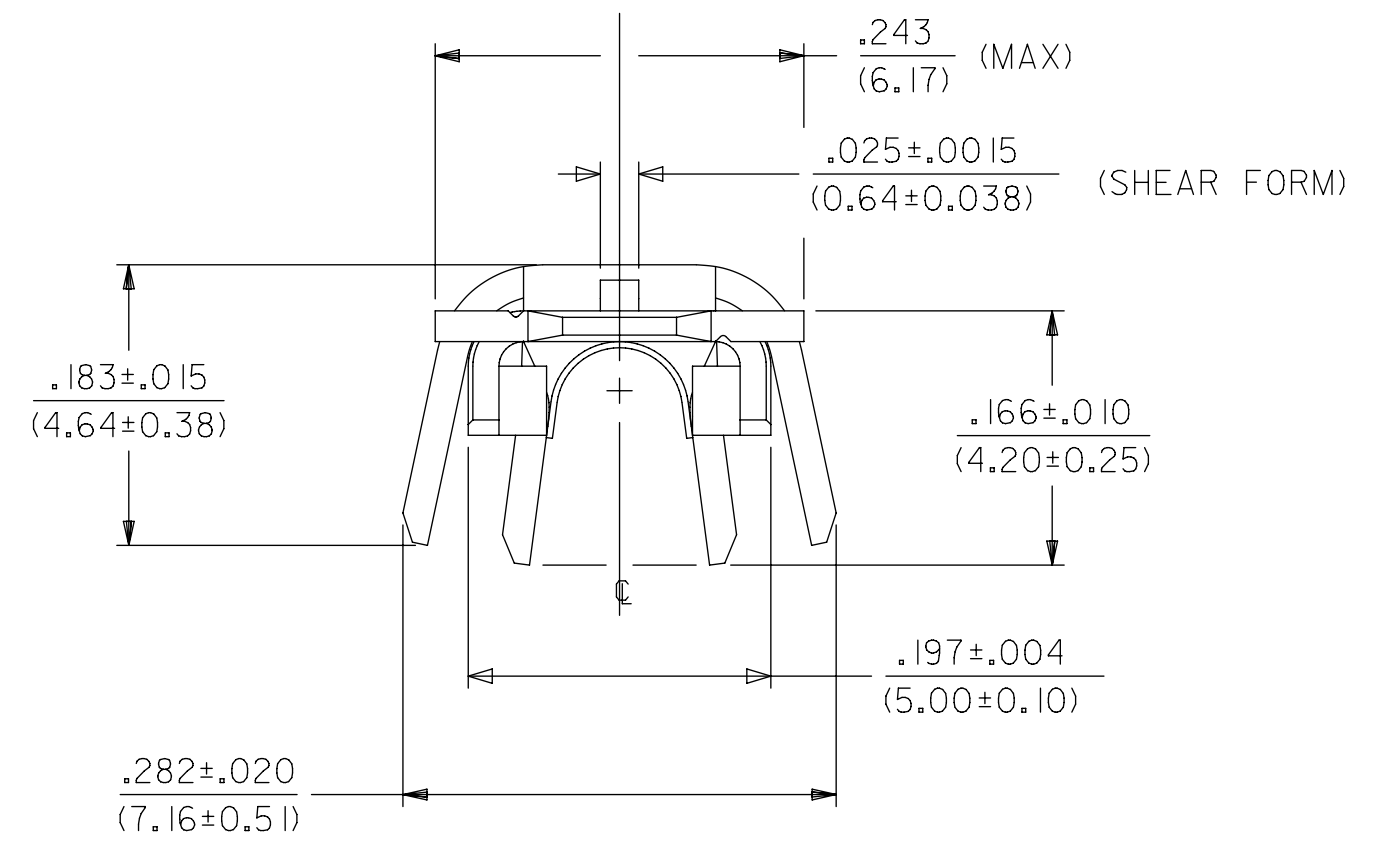


MATERIAL NUMBER	FINISH	HOLE
43178-3001	999	NOT USED
43178-3002	H901	NOT USED



SIDE/SIDE CRIMP

- NOTES:**
1. MATERIAL: BRASS
 2. FINISH:
999 - UNPLATED
H901 - 20 MICROINCH MIN. HOT TIN DIP
 3. PRODUCT SPECIFICATION: PS-44441-9999
 4. PACKAGING SPECIFICATION: 431780000-PK
 5. TERMINAL FOR USE IN 43680 SERIES HOUSINGS
 6. TERMINAL FOR USE WITH DOUBLE 18 AWG, UL 1015 STYLE WIRE (CRIMPED SIDE X SIDE)
 7. PARTS CONFORM TO CLASS "B" REQUIREMENTS OF COSMETIC SPECIFICATIONS PS-45499-002

THIS DRAWING CONTAINS INFORMATION THAT IS PROPRIETARY TO MOLEX ELECTRONIC TECHNOLOGIES, LLC AND SHOULD NOT BE USED WITHOUT WRITTEN PERMISSION									
SYMBOLS		DIMENSION UNITS		SCALE		CURRENT REV DESC: ADD NOTES			
∇ = 0	IN/MM	8:1		EC NO: 617584 DRWN: JEHRISMAN 2019/04/02 CHK'D: MKIPPER 2019/06/13 APPR: FSMITH 2019/06/18 INITIAL REVISION: DRWN: MAB 1995/06/16 APPR: FSMITH 1995/06/16					
∇ = 0	GENERAL TOLERANCES (UNLESS SPECIFIED)								
∇ = 0	MM	INCH							
∇ = 0	4 PLACES	±	±						
∇ = 0	3 PLACES	±	± 0.01						
∇ = 0	2 PLACES	± 0.25	± 0.014						
∇ = 0	1 PLACE	± 0.35	±						
∇ = 0	0 PLACES	±	±						
∇ = 0	ANGULAR TOL	± 0.5°		THIRD ANGLE PROJECTION DRAWING SERIES C-SIZE 43178					
∇ = 0	DRAFT WHERE APPLICABLE MUST REMAIN WITHIN DIMENSIONS			MATERIAL NUMBER		CUSTOMER		SHEET NUMBER	
				SEE TABLE		WHIRLPOOL		1 OF 1	

molex

TERMINAL, CRIMP MALE TAB
.125/(3.18)X.020/(0.51) SABRE - F.B.S. - T.P.A.

PRODUCT CUSTOMER DRAWING

DOCUMENT NUMBER	DOC TYPE	DOC PART	REVISION
SD-43178-3XXX	PSD	001	C3