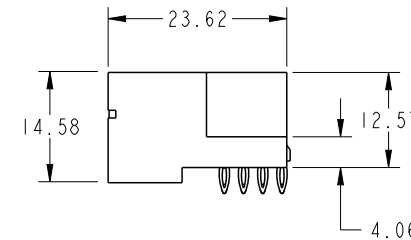
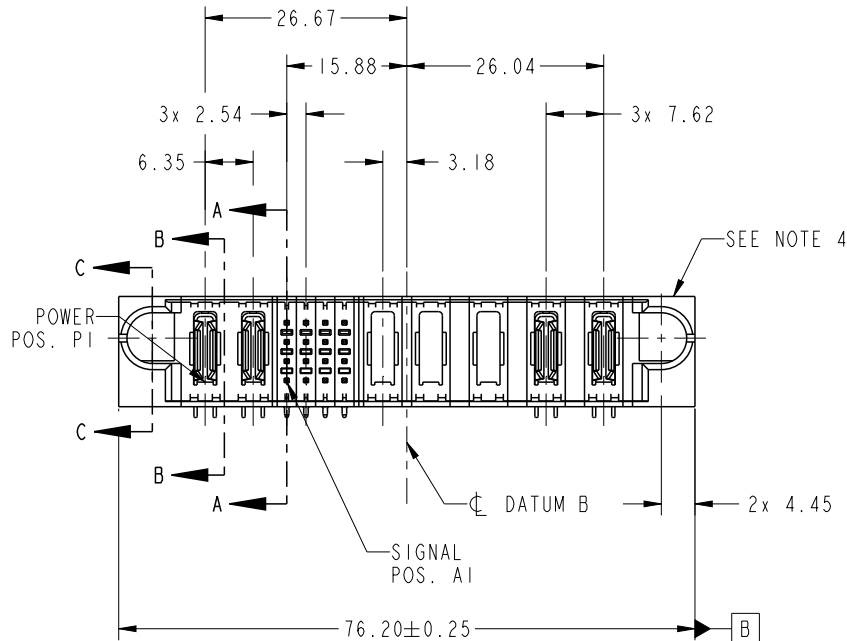


PRODUCT NO.	ROWS	POWER		SIGNAL				POWER					E2	
		E1	P1	P2	1	2	3	4	P3	P4	P5	P6		P7
51939-97INSP LF	D C B A		PX	PX	LD	LC	LB	LA	X	X	X	PX	PX	

CODE	DIM "M" MATING LENGTH	CONTACT TYPE
LD	[5.59]	SIGNAL
LC	[5.59]	SIGNAL
LB	[5.59]	SIGNAL
LA	[5.59]	SIGNAL
SA	[6.86]	SIGNAL
SB	[6.86]	SIGNAL
SC	[6.86]	SIGNAL
SD	[6.86]	SIGNAL
PX	[N/A]	POWER
X	OMITTED	

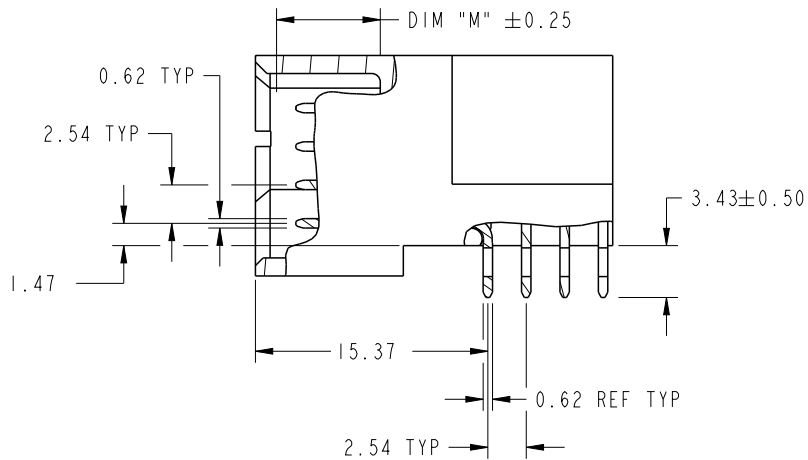


spec ref	*	dr	De-Ming Lu	2015/05/20	projection	MM	size	A4	scale	1:1			
tolerance std	TOLERANCES UNLESS OTHERWISE SPECIFIED	eng	De-Ming Lu	2015/07/16			ecn no	-	rel level	Released			
ASME Y14.5		chr	Fancy Zhang	2015/07/16									
		appr	Pei-Ming Zheng	2015/07/16		product family					PwrBlade		
surface	linear	0.X	±0.5		title	2P + 16S + 2P + 3ACP	dwg no	51939-97INSP	rev	A			
ASME Y14.5		0.XX	±0.25							www.fci.com	cat. no.	-	Product - Customer Drw
	angular	0°	±2°										

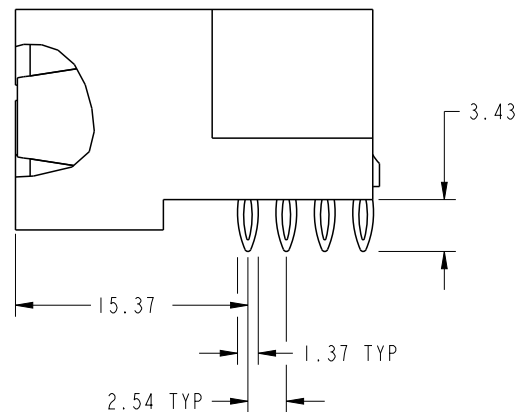
PrdE File - REV C - 2009-06-09

PRODUCT NUMBER

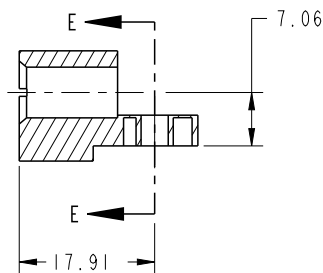
51939-971NSPLF



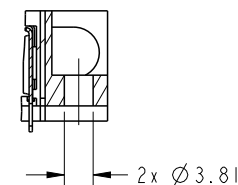
BROKEN-OUT SECTION A-A
SCALE 2:1



BROKEN-OUT SECTION B-B
SCALE 2:1



SECTION C-C

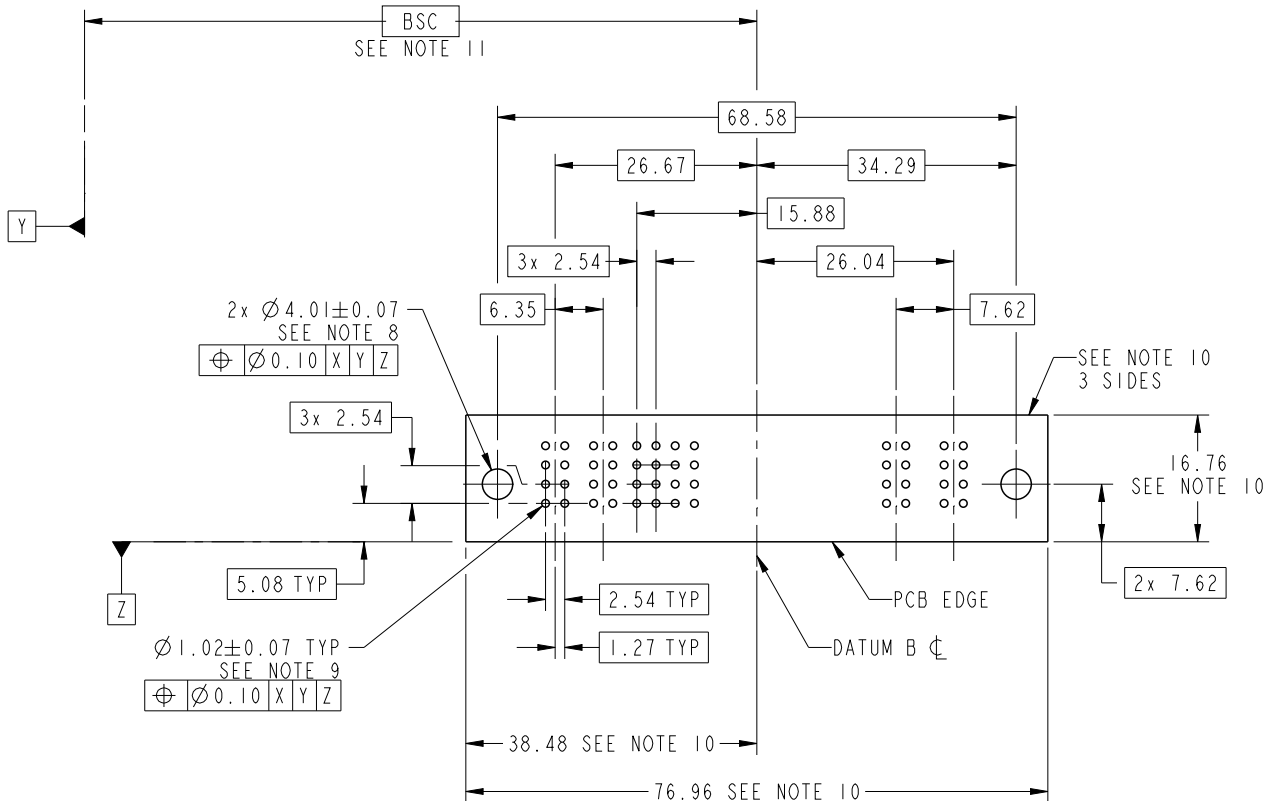


PARTIAL SECTION E-E

dr	De-Ming Lu	2015/05/20	projection 	MM 	size	A4	scale	1:1	
eng	De-Ming Lu	2015/07/16			ecn no	-			
chr	Fancy Zhang	2015/07/16			rel level	Released			
appr	Pei-Ming Zheng	2015/07/16	product family	PwrBlade					
		title	2P + 16S + 2P + 3ACP RIGHT ANGLE PRESS-FIT HEADER		dwg no	51939-971NSP		rev	A
www.fci.com		cat. no.	-		Product - Customer Drw		sheet 2 of 4		

PRODUCT NUMBER

51939-971NSPLF



RECOMMENDED PCB LAYOUT

dr	De-Ming Lu	2015/05/20	projection 	MM ←————→	size	A4	scale	1:1
eng	De-Ming Lu	2015/07/16			ecn no	-		
chr	Fancy Zhang	2015/07/16			rel level	Released		
appr	Pei-Ming Zheng	2015/07/16	product family	PwrBlade	rel level	Released		
	title	2P + 16S + 2P + 3ACP RIGHT ANGLE PRESS-FIT HEADER		dwg no	51939-971NSP		rev	A
www.fci.com	cat. no.	-	Product - Customer Drw		sheet 3 of 4			



PRODUCT NUMBER

51939-97INSPLF

NOTES:

1. DIMENSIONS AND TOLERANCES ARE IN ACCORDANCE WITH ASME Y14.5M, 1994 UNLESS OTHERWISE SPECIFIED.

CONNECTOR NOTES:

- 2. HOUSING MATERIAL: UL 94 V-0 GLASS FILLED HIGH-TEMP THERMOPLASTIC
POWER CONTACT MATERIAL: COPPER ALLOY
SIGNAL PIN MATERIAL: COPPER ALLOY
- 3. SEE ITEM 3 & 4 IN PRINT 10064183 FOR PLATING SPEC OF 51939-97INSPLF.
- 4. MANUFACTURER'S NAME, DATE CODE AND OPTIONAL P/N TO APPEAR ON THIS SURFACE. THE MARK CAN BE OMITTED IF THERE IS NOT ENOUGH SPACE ON THIS SURFACE.
- 5. PRODUCT SPECIFICATION GS-12-149.
APPLICATION SPECIFICATION BUS-20-067.
- 6. PACKAGED IN TRAYS.

PCB NOTES:

- 7. ALL HOLE DIAMETERS ARE FINISHED HOLE SIZE.
- 8. MOUNTING HOLES, WHERE APPLICABLE, ARE UNPLATED.
- 9. $\varnothing 1.151 \pm 0.025$ DRILLED HOLES PLATED WITH
0.008 MIN SnPb OR Sn OVER 0.03
TO 0.08 Cu PLATING TO ACHIEVE
 $\varnothing 1.02 \pm 0.07$ HOLE.
- 10. CONNECTOR KEEP-OUT ZONE.
- 11. DATUM AND BASIC DIMENSIONS ARE ESTABLISHED BY CUSTOMER.

dr	De-Ming Lu	2015/05/20	projection 	MM 	size	A4	scale	1:1
eng	De-Ming Lu	2015/07/16			ecn no	-		
chr	Fancy Zhang	2015/07/16			product family	PwrBlade	rel level	Released
appr	Pei-Ming Zheng	2015/07/16			title 2P + 16S + 2P + 3ACP RIGHT ANGLE PRESS-FIT HEADER	dwg no 51939-97INSPLF	rev A	
www.fci.com		cat. no.	-	Product - Customer Drw		sheet 4 of 4		



Copyright FCI.