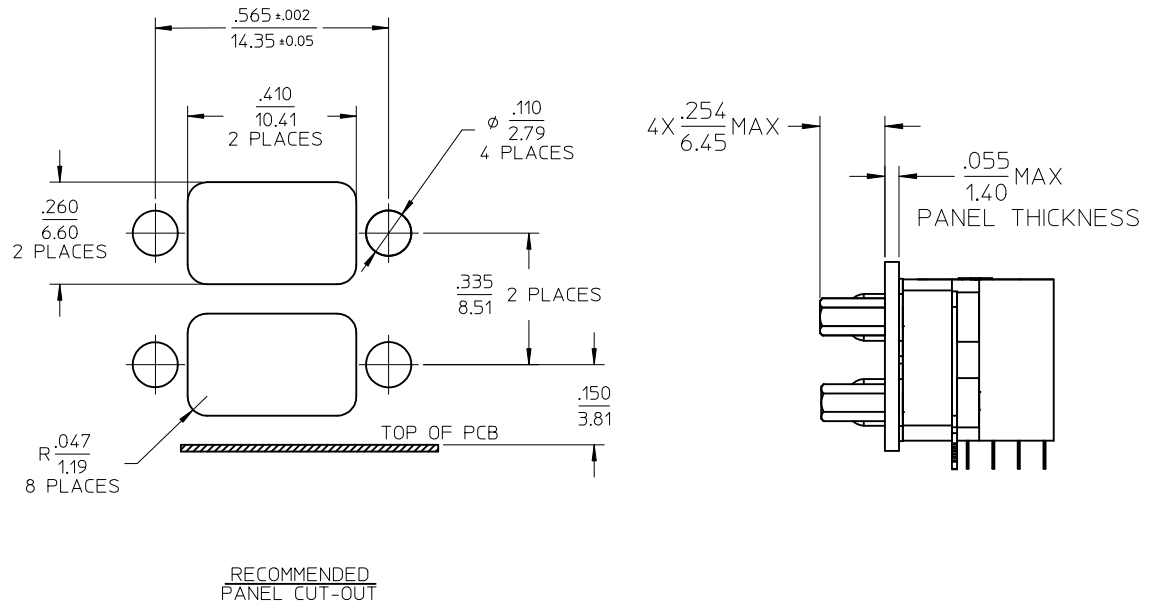
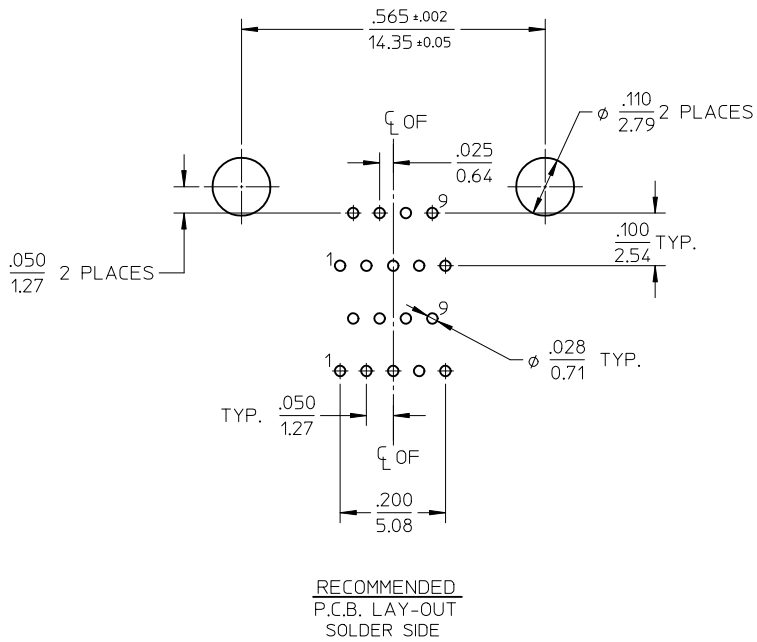


SALES DRAWING

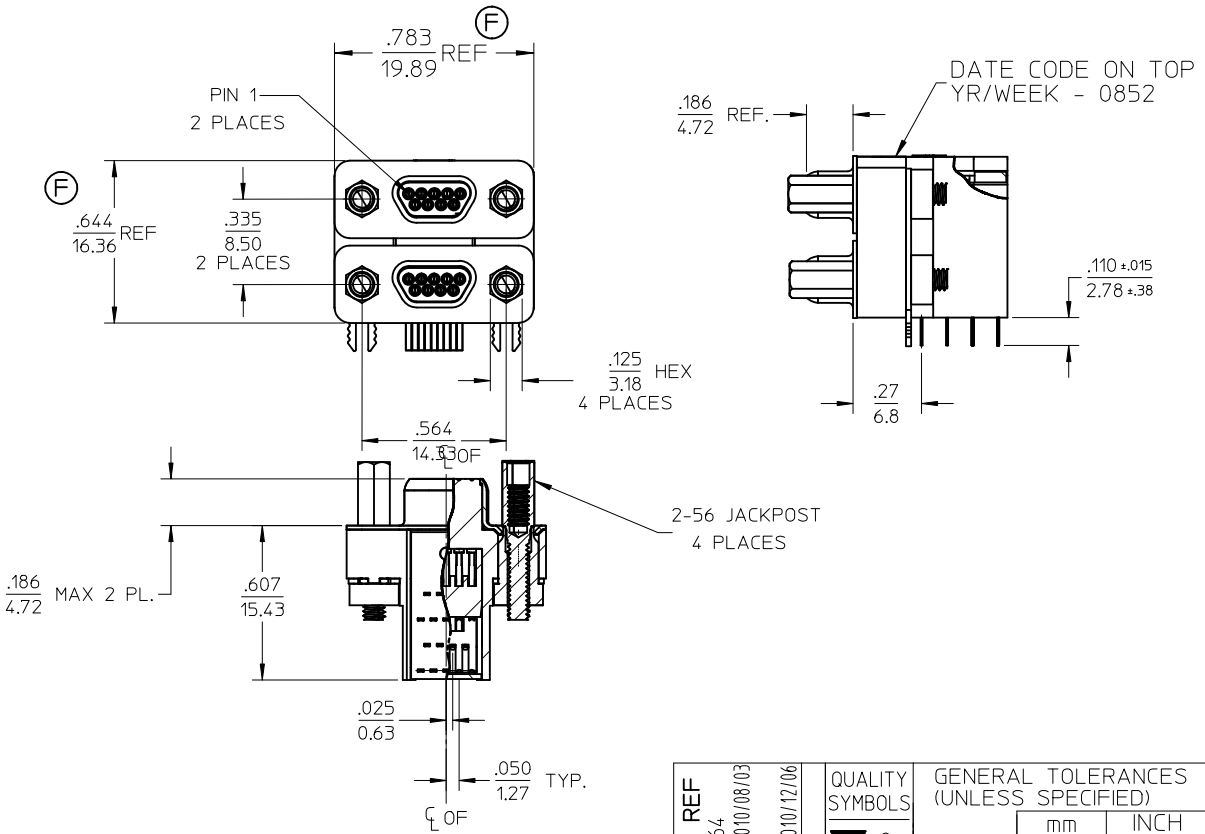
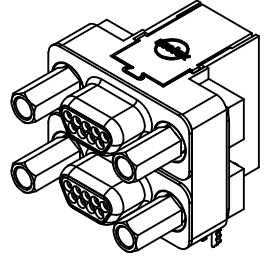
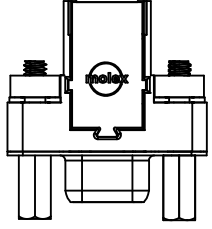
- 4. RoHS COMPLIANT
- 3. FOR PRODUCT SPEC SEE PS-83421-001
- 2. SEE SHEET 2 OF 2 FOR P.C.B. LAYOUT AND PANEL CUT-OUT DIMENSIONS.
- 1. MARKING: NONE.
- NOTES UNLESS OTHERWISE SPECIFIED

UPDATE DIM TO REF EC NO: WNA2011-0064 DRWN: BRUPERT 2010/08/03 CHYD: APPR: JFMURPHY 2010/12/06 REV DESCRIPTION	QUALITY SYMBOLS $\nabla=0$ $\sphericalangle=0$	GENERAL TOLERANCES (UNLESS SPECIFIED)		DIMENSION STYLE IN/MM		SCALE 2:1	DESIGN UNITS INCH	THIRD ANGLE PROJECTION															
		<table border="1"> <thead> <tr> <th></th> <th>mm</th> <th>INCH</th> </tr> </thead> <tbody> <tr> <td>4 PLACES</td> <td>\pm ---</td> <td>\pm ---</td> </tr> <tr> <td>3 PLACES</td> <td>\pm ---</td> <td>\pm .005</td> </tr> <tr> <td>2 PLACES</td> <td>\pm 0.13</td> <td>\pm .01</td> </tr> <tr> <td>1 PLACE</td> <td>\pm 0.25</td> <td>\pm ---</td> </tr> </tbody> </table>		mm	INCH	4 PLACES	\pm ---	\pm ---	3 PLACES	\pm ---	\pm .005	2 PLACES	\pm 0.13	\pm .01	1 PLACE	\pm 0.25	\pm ---	DRAWN BY JLOMASTR	DATE 04/09/20	TITLE DUAL CONN PLG RT ANG, COMM-D, SIZE 9			
		mm	INCH																				
	4 PLACES	\pm ---	\pm ---																				
3 PLACES	\pm ---	\pm .005																					
2 PLACES	\pm 0.13	\pm .01																					
1 PLACE	\pm 0.25	\pm ---																					
	ANGULAR $\pm 1/2^\circ$	CHECKED BY RDEROSS	DATE 04/09/27	APPROVED BY JFMURPHY 2010/12/06																			
	DRAFT WHERE APPLICABLE MUST REMAIN WITHIN DIMENSIONS	MATERIAL NO. SEE CHART	DATE 2010/12/06	MOLEX INCORPORATED		DOCUMENT NO. SD-83619-008	SHEET NO. 1 OF 2																

10	9	8	7	6	5	4	3	2	1
MATERIAL NO.	ENGINEERING NO.								
836199003	83619-9003								



REDRAWN EC NO: WNA2011-0064 DRAWN: BRUPERT 2010/08/03 CHKD: APPR: JFMURPHY 2010/12/06 REV DESCRIPTION	QUALITY SYMBOLS	GENERAL TOLERANCES (UNLESS SPECIFIED) <table border="1"> <tr> <td></td> <td>mm</td> <td>INCH</td> </tr> <tr> <td>4 PLACES</td> <td>± .005</td> <td>± .0005</td> </tr> <tr> <td>3 PLACES</td> <td>± .005</td> <td>± .0005</td> </tr> <tr> <td>2 PLACES</td> <td>± 0.13</td> <td>± .01</td> </tr> <tr> <td>1 PLACE</td> <td>± 0.25</td> <td>± .01</td> </tr> </table> ANGULAR ± 1/2°		mm	INCH	4 PLACES	± .005	± .0005	3 PLACES	± .005	± .0005	2 PLACES	± 0.13	± .01	1 PLACE	± 0.25	± .01	DIMENSION STYLE IN/MM	SCALE 2:1	DESIGN UNITS INCH	THIRD ANGLE PROJECTION
			mm	INCH																	
	4 PLACES		± .005	± .0005																	
	3 PLACES		± .005	± .0005																	
2 PLACES	± 0.13	± .01																			
1 PLACE	± 0.25	± .01																			
		DRAWN BY: JLOMASTR DATE: 04/09/20 CHECKED BY: RDEROSS DATE: 04/09/27 APPROVED BY: JFMURPHY DATE: 2010/12/06	TITLE DUAL CONN PLG RT ANG, COMM-D, SIZE 9	MOLEX INCORPORATED																	
		DRAFT WHERE APPLICABLE MUST REMAIN WITHIN DIMENSIONS	MATERIAL NO. SEE CHART	DOCUMENT NO. SD-83619-008	SHEET NO. 2 OF 2																
			SIZE A3	THIS DRAWING CONTAINS INFORMATION THAT IS PROPRIETARY TO MOLEX INCORPORATED AND SHOULD NOT BE USED WITHOUT WRITTEN PERMISSION																	

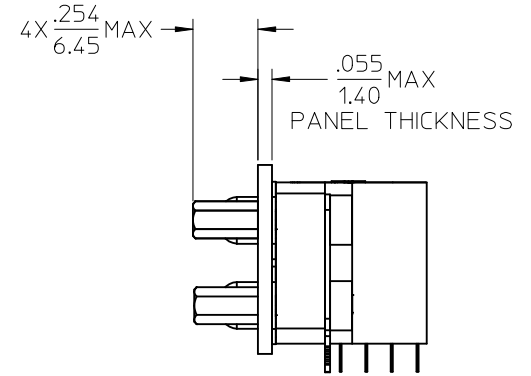
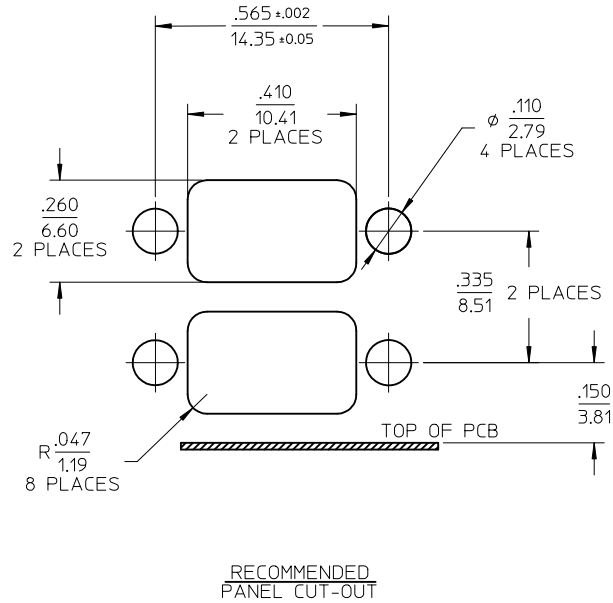
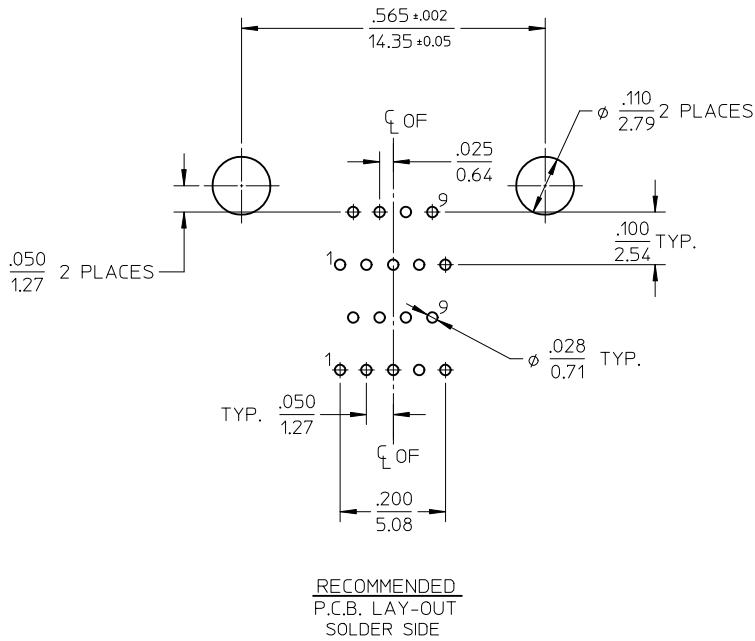


SALES DRAWING

- 4. RoHS COMPLIANT
- 3. FOR PRODUCT SPEC SEE PS-83421-001
- 2. SEE SHEET 2 OF 2 FOR P.C.B. LAYOUT AND PANEL CUT-OUT DIMENSIONS.
- 1. MARKING: NONE.
- NOTES UNLESS OTHERWISE SPECIFIED

UPDATE DIM TO REF EC NO: WNA2011-0064 DRWN: BRUPERT 2010/08/03 CHYD: APPR: JFMURPHY 2010/12/06 REV	QUALITY SYMBOLS $\nabla=0$ $\sphericalangle=0$	GENERAL TOLERANCES (UNLESS SPECIFIED)		DIMENSION STYLE IN/MM		SCALE 2:1	DESIGN UNITS INCH	THIRD ANGLE PROJECTION																
		<table border="1"> <tr> <th></th> <th>mm</th> <th>INCH</th> </tr> <tr> <td>4 PLACES</td> <td>$\pm .005$</td> <td>$\pm .005$</td> </tr> <tr> <td>3 PLACES</td> <td>$\pm .005$</td> <td>$\pm .005$</td> </tr> <tr> <td>2 PLACES</td> <td>± 0.13</td> <td>$\pm .01$</td> </tr> <tr> <td>1 PLACE</td> <td>± 0.25</td> <td>$\pm .01$</td> </tr> </table>		mm	INCH	4 PLACES	$\pm .005$	$\pm .005$	3 PLACES	$\pm .005$	$\pm .005$	2 PLACES	± 0.13	$\pm .01$	1 PLACE	± 0.25	$\pm .01$	DRAWN BY JLOMASTR	DATE 04/09/20	TITLE DUAL CONN PLG RT ANG, COMM-D, SIZE 9				
		mm	INCH																					
	4 PLACES	$\pm .005$	$\pm .005$																					
3 PLACES	$\pm .005$	$\pm .005$																						
2 PLACES	± 0.13	$\pm .01$																						
1 PLACE	± 0.25	$\pm .01$																						
	ANGULAR $\pm 1/2^\circ$	CHECKED BY RDEROSS	DATE 04/09/27	MOLEX INCORPORATED																				
	DRAFT WHERE APPLICABLE MUST REMAIN WITHIN DIMENSIONS	APPROVED BY JFMURPHY	DATE 2010/12/06	MATERIAL NO. SEE CHART	DOCUMENT NO. SD-83619-008	SHEET NO. 1 OF 2																		

10	9	8	7	6	5	4	3	2	1
MATERIAL NO.	ENGINEERING NO.								
836199003	83619-9003								



REDRAWN EC NO: WNA2011-0064 DRAWN: BRUPERT 2010/08/03 CHKD: APPR: JFMURPHY 2010/12/06 REV DESCRIPTION	QUALITY SYMBOLS	GENERAL TOLERANCES (UNLESS SPECIFIED) <table border="1"> <thead> <tr> <th></th> <th>mm</th> <th>INCH</th> </tr> </thead> <tbody> <tr> <td>4 PLACES</td> <td>± ---</td> <td>± ---</td> </tr> <tr> <td>3 PLACES</td> <td>± ---</td> <td>± .005</td> </tr> <tr> <td>2 PLACES</td> <td>± 0.13</td> <td>± .01</td> </tr> <tr> <td>1 PLACE</td> <td>± 0.25</td> <td>± ---</td> </tr> </tbody> </table> ANGULAR ± 1/2°		mm	INCH	4 PLACES	± ---	± ---	3 PLACES	± ---	± .005	2 PLACES	± 0.13	± .01	1 PLACE	± 0.25	± ---	DIMENSION STYLE	SCALE	DESIGN UNITS	THIRD ANGLE PROJECTION
			mm	INCH																	
	4 PLACES		± ---	± ---																	
	3 PLACES		± ---	± .005																	
2 PLACES	± 0.13	± .01																			
1 PLACE	± 0.25	± ---																			
		IN/MM	2:1	INCH																	
		DRAWN BY	DATE	TITLE																	
		JLOMASTR	04/09/20	DUAL CONN PLG RT ANG, COMM-D, SIZE 9																	
		CHECKED BY	DATE																		
		RDEROSS	04/09/27																		
		APPROVED BY	DATE																		
		JFMURPHY	2010/12/06																		
		MATERIAL NO.	DOCUMENT NO.																		
		SEE CHART	SD-83619-008																		
		SIZE	THIS DRAWING CONTAINS INFORMATION THAT IS PROPRIETARY TO MOLEX INCORPORATED AND SHOULD NOT BE USED WITHOUT WRITTEN PERMISSION																		
		A3																			