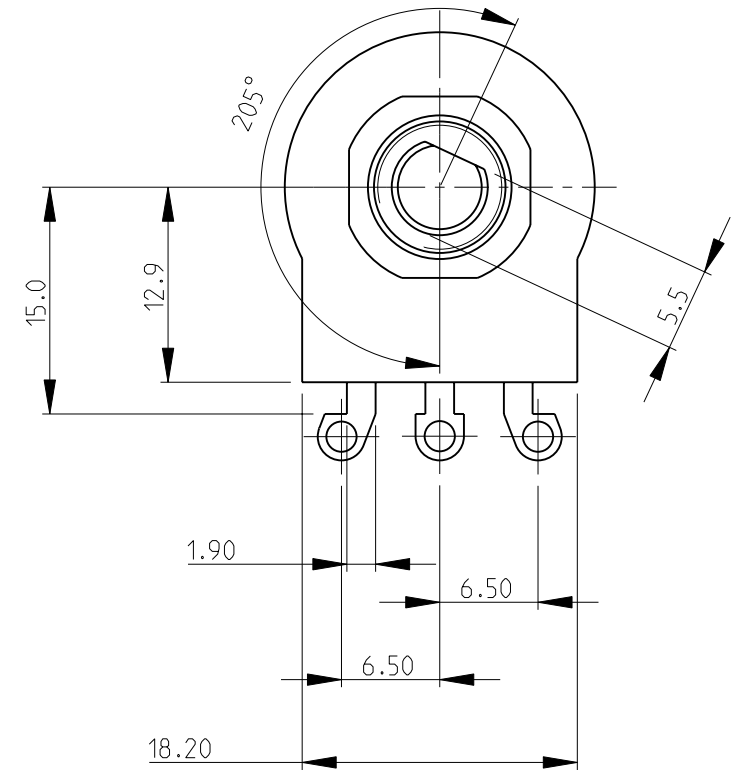
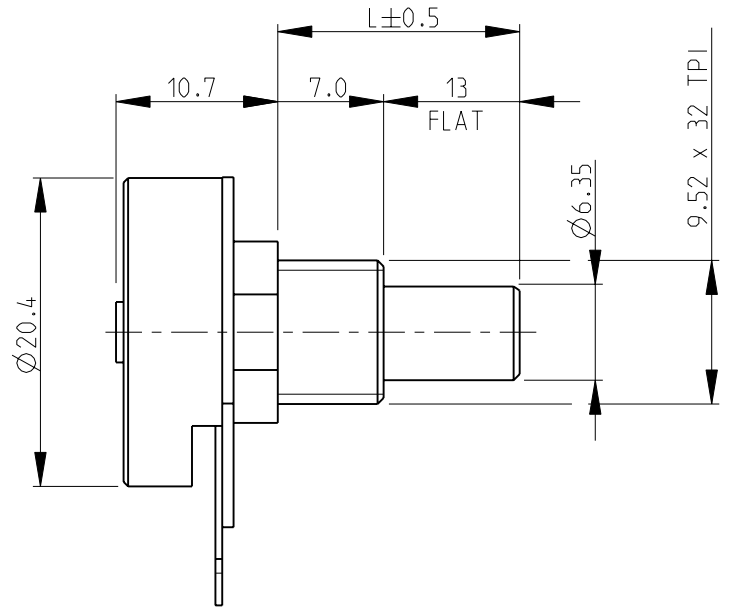


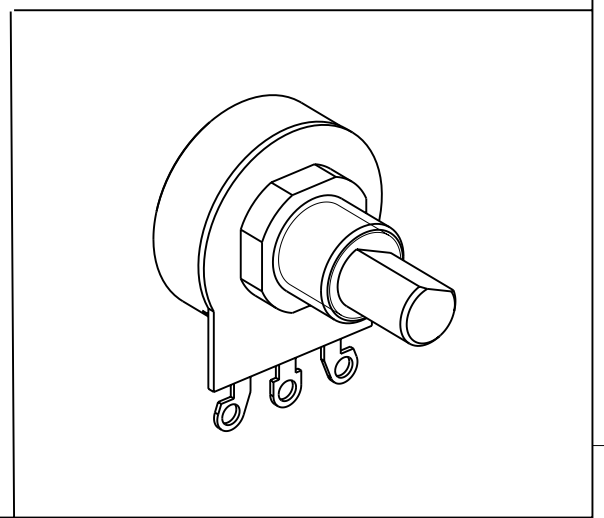
THIS DRAWING IS UNPUBLISHED. RELEASED FOR PUBLICATION 2008
 © COPYRIGHT 2008 BY TYCO ELECTRONICS CORPORATION. ALL RIGHTS RESERVED.

LOC	DIST	REVISIONS			
P	LTR	DESCRIPTION	DATE	DWN	APVD
E	B	BA	NEW RELEASE	30-Jul-08	SM St.P

- 1 CUSTOMER SPECIAL VARIATION AS DRAWN : 23EXA103KMJ16N
- 2 21 DETENTS
- 3 FOR FURTHER INFORMATION SEE DATA SHEET FOR 23 SERIES-SPINDLE OPERATED POTENTIOMETER



RoHS Compliant



THIS DRAWING IS A CONTROLLED DOCUMENT FOR TYCO ELECTRONICS CORPORATION IT IS SUBJECT TO CHANGE AND THE CONTROLLING ENGINEERING ORGANIZATION SHOULD BE CONTACTED FOR THE LATEST REVISION.		DWN SUBHASH.M 30-Jul-08	Tyco Electronics Corporation Dorcan, Swindon, SN3 5HH															
DIMENSIONS: mm		CHK PRAKASH.S 30-Jul-08	NAME SPINDLE OPERATED POTENTIOMETER SERIES 23E															
TOLERANCES UNLESS OTHERWISE SPECIFIED:		APVD STEPHEN.P 30-Jul-08																
<table border="0"> <tr><td>0 PLC</td><td>±0.5</td></tr> <tr><td>1 PLC</td><td>±0.2</td></tr> <tr><td>2 PLC</td><td>±0.1</td></tr> <tr><td>3 PLC</td><td>±</td></tr> <tr><td>4 PLC</td><td>±</td></tr> <tr><td>ANGLES</td><td>±5°</td></tr> </table>		0 PLC	±0.5	1 PLC	±0.2	2 PLC	±0.1	3 PLC	±	4 PLC	±	ANGLES	±5°	PRODUCT SPEC -	SIZE A3	CAGE CODE 00779	DRAWING NO C=1624217	RESTRICTED TO -
0 PLC	±0.5																	
1 PLC	±0.2																	
2 PLC	±0.1																	
3 PLC	±																	
4 PLC	±																	
ANGLES	±5°																	
MATERIAL -		FINISH -	APPLICATION SPEC -		WEIGHT -	SCALE 2:1	SHEET 1 OF 1	REV BA										
CUSTOMER DRAWING																		