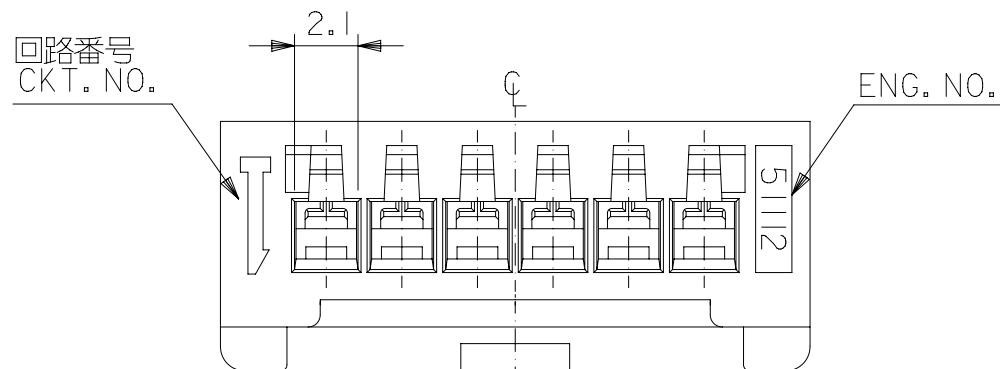
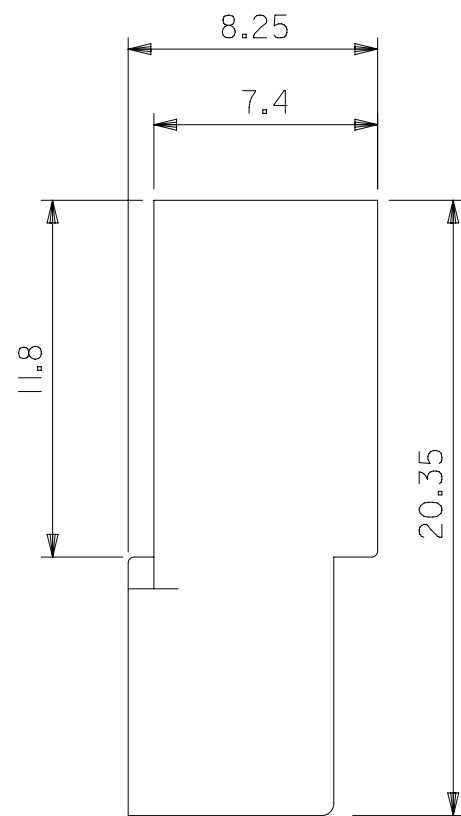
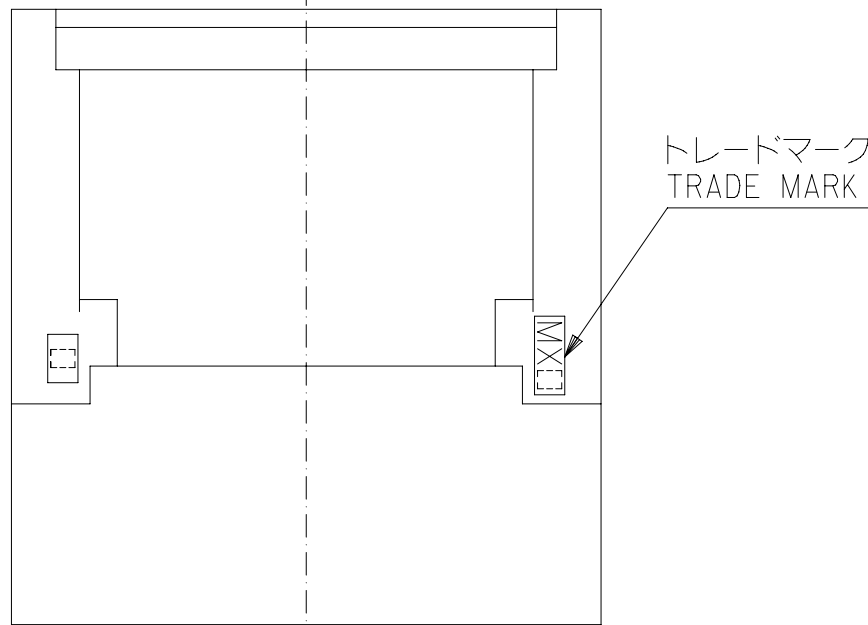


ターミナル装着状態図
TERMINAL ASSEMBLY DRAWING

注記 NOTES

- △ 適合ターミナル：50398シリーズ
APPLICABLE TERMINAL : 50398 SERIES
- 2. 嵌合相手：51111シリーズ
MATE WITH : 51111 SERIES
- △ 偶数極の製品に適用。
APPLY EVEN CIRCUIT PRODUCTS.



42	40.4	35	51112 -15 10	15
37	35.4	30	▲ -13 10	13
34.5	32.9	27.5	-12 10	12
29.5	27.9	22.5	-10 10	10
27	25.4	20	-09 10	9
24.5	22.9	17.5	-08 10	8
19.5	17.9	12.5	-06 10	6
17	15.4	10	-05 10	5
14.5	12.9	7.5	-04 10	4
12	10.4	5	▼ -03 10	3
9.5	7.9	2.5	51112 -02 10	2
C	B	A	ENG. NO.	極数 NO. OF CKT.

THIS DRAWING CONTAINS INFORMATION THAT IS PROPRIETARY TO MOLEX ELECTRONIC TECHNOLOGIES, LLC AND SHOULD NOT BE USED WITHOUT WRITTEN PERMISSION

DIMENSION UNITS mm	SCALE 4:1	CURRENT REV DESC: REMOVED OBSOLETE PART NUMBER AS PER PCN#510656.	molex		
GENERAL TOLERANCES (UNLESS SPECIFIED)					
角度 ANGLE	±3°	4 PLACES ±	EC NO: 720751	2022/09/06	
30 以上 OVER	±0.3	3 PLACES ±	DRWN: SANTHN	2022/09/21	
10 以上 30 未満 UNDER	±0.25	2 PLACES ±	CHK'D: GGA	2022/09/21	
10 未満 UNDER	±0.2	1 PLACE ±	APPR: GGA	2022/09/21	
一般公差 GENERAL TOLERANCES		0 PLACES ±	INITIAL REVISION:		
		ANGULAR TOL ± °	DRWN: K.TOJO	'93/9/6	
		DRAFT WHERE APPLICABLE MUST REMAIN WITHIN DIMENSIONS	APPR: M.FUKUSHIMA	'93/6/22	
		THIRD ANGLE PROJECTION	DRAWING	SERIES	DOCUMENT NUMBER
			B-SIZE	51112	SD-51112-XX10
					DOC TYPE DOC PART REVISION
					PSD 001 B
					MATERIAL NUMBER CUSTOMER SHEET NUMBER
					SEE TABLE GENERAL MARKET 1 OF 1