

**MICRO SWITCH**  
a Honeywell Division

FED. MFG. CODE 91 929

SWITCH - BASIC

CATALOG LISTING  
**3BV12B014**

LP-R1657

REPLACES X102247-BV

RELEASE NO. PR-22774

CATALOG LISTING  
**3BV12B014**  
PAGE 1 OF 1

ISSUE  
**M**  
1

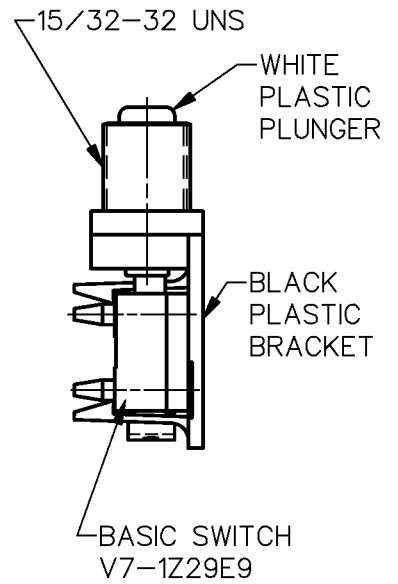
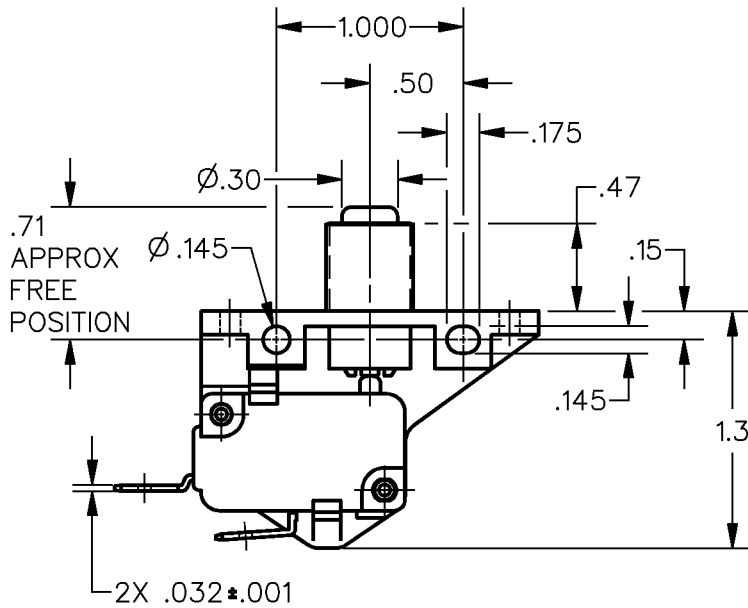
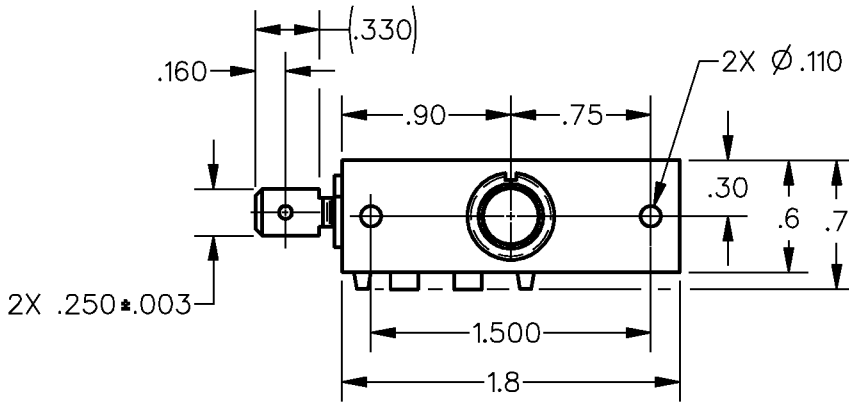
CHECK

REVISIONS

CHECK

CHECK

DDM/CAD  
DRAWN  
K D R 26 APR 97

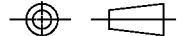


NOTE  
1 - MARK BASIC SWITCH WITH V7-1Z29E9

ANSI Y14.5M-1982 APPLIES

THIS DRAWING COVERS A PROPRIETARY ITEM AND IS THE PROPERTY OF MICRO SWITCH, A DIVISION OF HONEYWELL. THIS DRAWING IS NOT TO BE COPIED OR USED WITHOUT THE APPROVAL OF MICRO SWITCH.

THIRD ANGLE PROJECTION



**CHARACTERISTICS**  
OPERATING FORCE --- 270 GRAMS MAX  
PRETRAVEL --- .052 MAX

**ELECTRICAL DATA**  
CONTACT ARRANGEMENT  
S P N O

25A, 277 VAC  
1HP, 125 VAC  
2HP, 250 VAC



| SCALE FULL                                       | DO NOT SCALE PRINT |
|--|--------------------|
| <b>UNLESS OTHERWISE SPECIFIED TOLERANCES ARE</b> |                    |
| ONE PLACE (.0)                                   | ± .030             |
| TWO PLACE (.00)                                  | ± .015             |
| THREE PLACE (.000)                               | ± .005             |
| ANGLES   | ±                  |

WEIGHT