



WR-112 Waveguide Antenna, 7.05 GHz to 10 GHz Frequency Range, 10 dBi Gain,

## Waveguide Antennas Technical Data Sheet

PEWAN112-10

### Features

- WR-112 Rectangular Waveguide Interface
- 7.05 GHz to 10 GHz
- 10 dBi Nominal Gain
- Square Cover Cover Flange
- H Band

### Applications

- Antenna Measurements
- Wireless Communication
- Laboratory Use
- Microwave Radio Systems

### Description

The PEWAN112-10 H Band standard gain horn antenna (also known as waveguide horn) from Pasternack has a nominal gain of 10 dBi. This WR-112 standard gain horn has a Square Cover type flange. The Pasternack 10 dBi WR-112 horn antenna operates from 7.05 GHz to 10 GHz. The WR-112 PEWAN112-10 waveguide horn is Powder coated Aluminum for added protection and corrosion resistance. It is part of over 40,000 RF, microwave and millimeter wave components available from Pasternack. Waveguide standard gain horn antennas are used in a wide variety of applications due to their high power handling capability, low loss, high directivity, and near constant electrical performance. Pasternack's WR-112 standard gain horns are available in 10, 15 and 20 dBi models with pyramidal shape and rectangular input. Our WR-112 standard gain horn antennas can ship worldwide the same day as it is purchased as with our other available RF parts.

### Configuration

|              |        |
|--------------|--------|
| Design       | WR-112 |
| Polarization | Linear |

### Electrical Specifications

| Description                      | Minimum | Typical | Maximum | Units   |
|----------------------------------|---------|---------|---------|---------|
| Frequency Range                  | 7.05    |         | 10      | GHz     |
| Nominal Gain                     |         | 10      |         | dB      |
| Horizontal Half Power Beam Width |         | 52.1    |         | Degrees |
| Vertical Half Power Beam Width   |         | 51.6    |         | Degrees |
| VSWR                             |         | 1.3:1   |         |         |

### Mechanical Specifications

|             |                     |
|-------------|---------------------|
| <b>Size</b> |                     |
| Length      | 2.362 in [59.99 mm] |
| Width       | 1.705 in [43.31 mm] |
| Height      | 1.369 in [34.77 mm] |
| Weight      | 0.2 lbs [90.72 g]   |

### Waveguide Interface

|                |        |
|----------------|--------|
| Waveguide Size | WR-112 |
|----------------|--------|

Click the following link (or enter part number in "SEARCH" on website) to obtain additional part information including price, inventory and certifications: [WR-112 Waveguide Antenna, 7.05 GHz to 10 GHz Frequency Range, 10 dBi Gain, PE-WAN112-10](#)



WR-112 Waveguide Antenna, 7.05 GHz to 10 GHz Frequency Range, 10 dBi Gain,

Waveguide Antennas Technical Data Sheet

PEWAN112-10

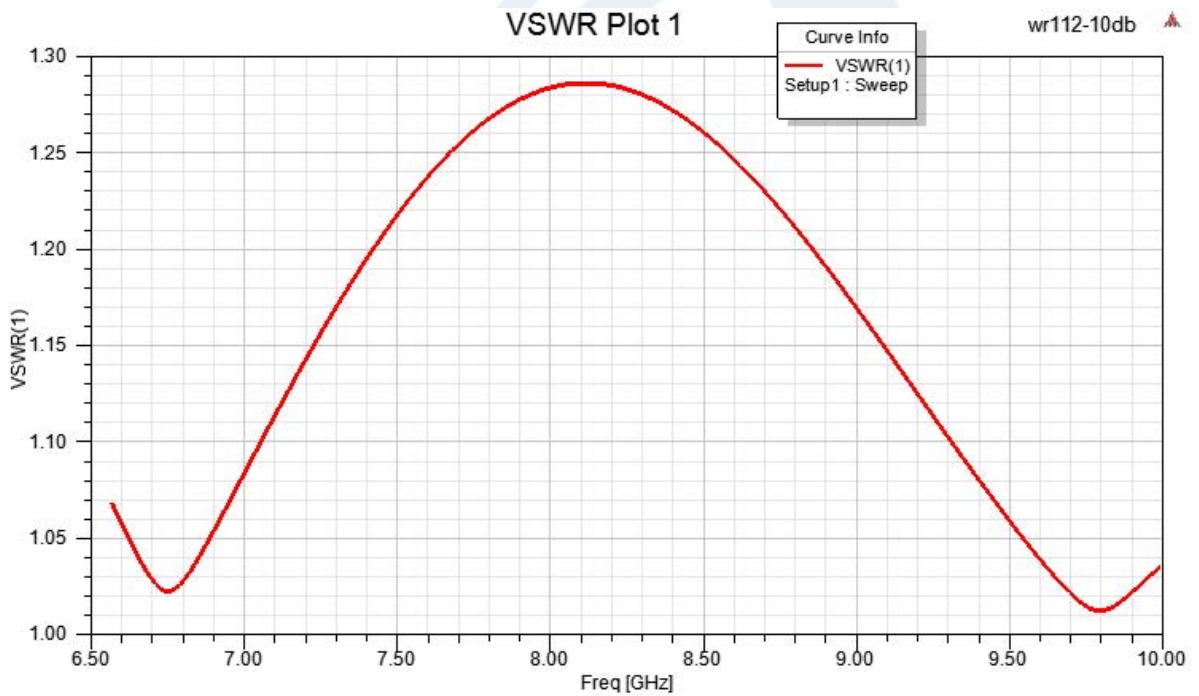
Flange Type  
Body Material and Plating

Square Cover  
Aluminum, Gray

**Compliance Certifications** (see [product page](#) for current document)

**Plotted and Other Data**

**Typical Performance Data**



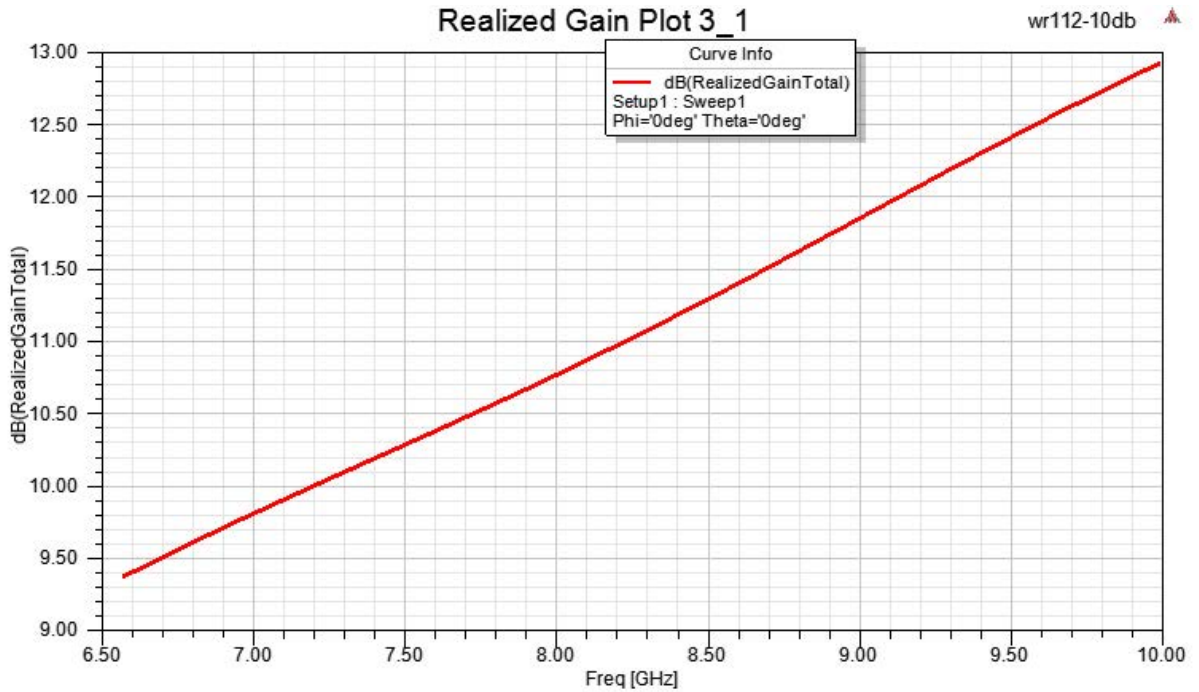
Click the following link (or enter part number in "SEARCH" on website) to obtain additional part information including price, inventory and certifications: [WR-112 Waveguide Antenna, 7.05 GHz to 10 GHz Frequency Range, 10 dBi Gain, PE-WAN112-10](#)



WR-112 Waveguide Antenna, 7.05 GHz to 10 GHz Frequency Range, 10 dBi Gain,

Waveguide Antennas Technical Data Sheet

PEWAN112-10



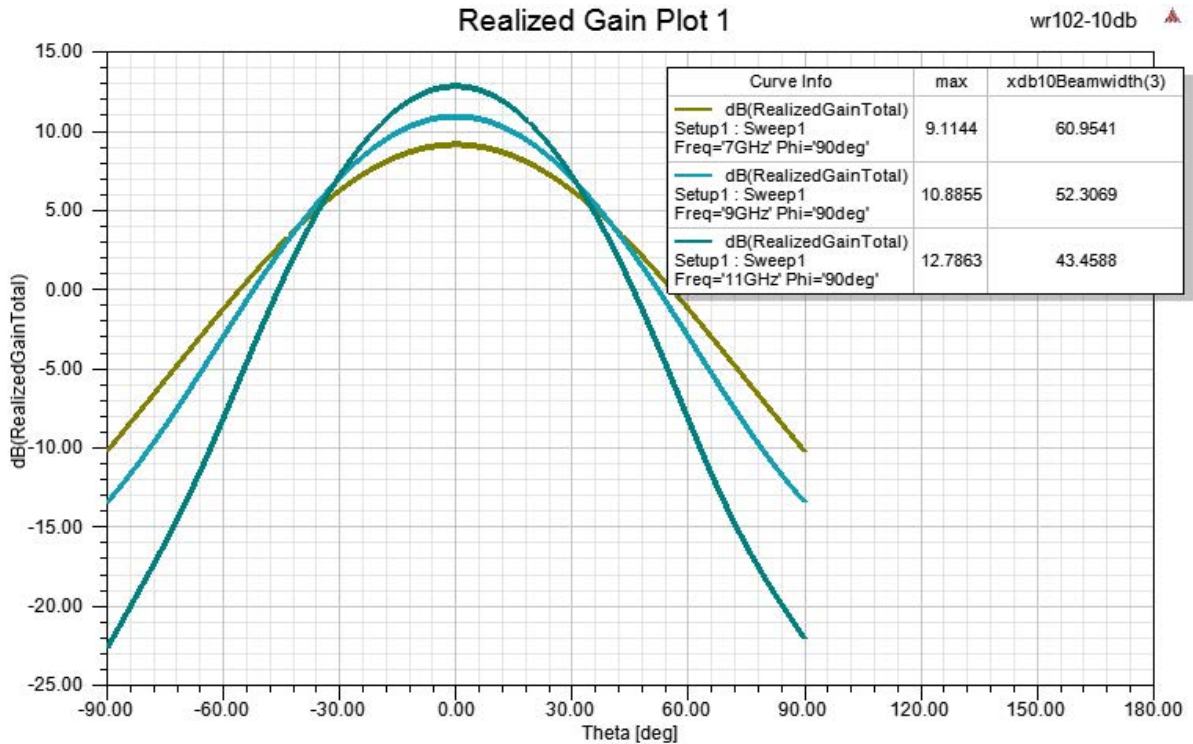
Click the following link (or enter part number in "SEARCH" on website) to obtain additional part information including price, inventory and certifications: [WR-112 Waveguide Antenna, 7.05 GHz to 10 GHz Frequency Range, 10 dBi Gain, PE-WAN112-10](#)



WR-112 Waveguide Antenna, 7.05 GHz to 10 GHz Frequency Range, 10 dBi Gain,

Waveguide Antennas Technical Data Sheet

PEWAN112-10



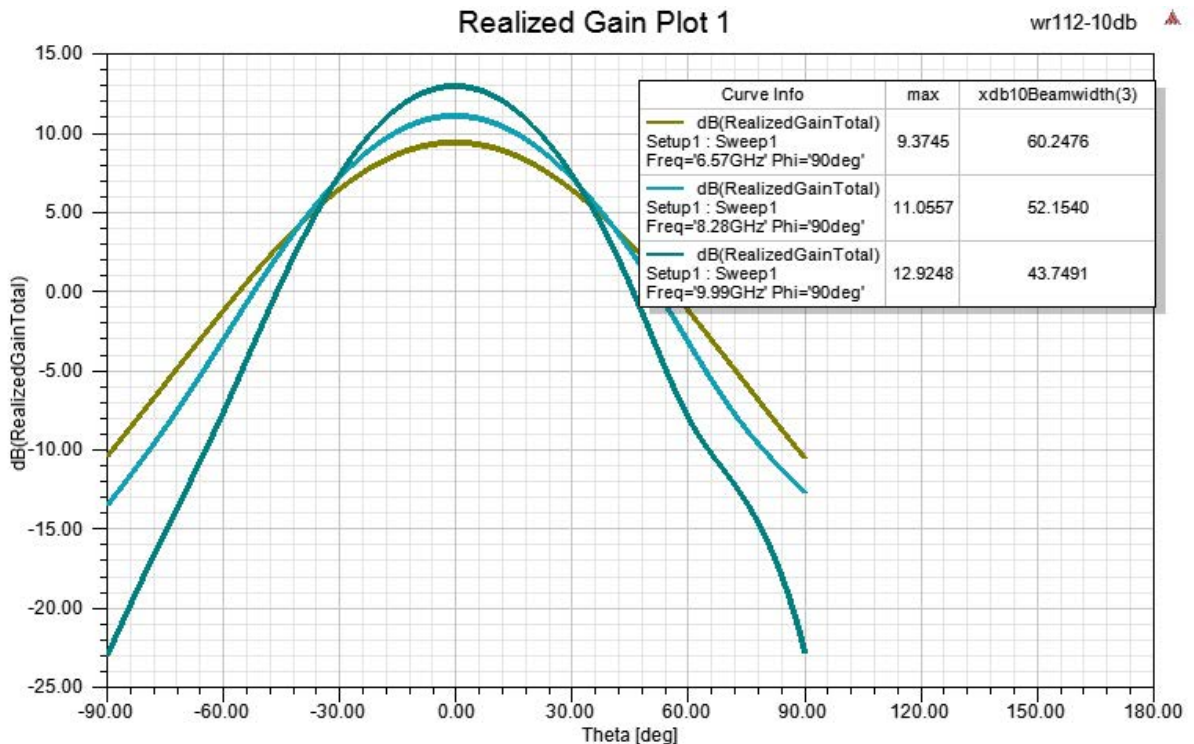
Click the following link (or enter part number in "SEARCH" on website) to obtain additional part information including price, inventory and certifications: [WR-112 Waveguide Antenna, 7.05 GHz to 10 GHz Frequency Range, 10 dBi Gain, PE-WAN112-10](#)



WR-112 Waveguide Antenna, 7.05 GHz to 10 GHz Frequency Range, 10 dBi Gain,

Waveguide Antennas Technical Data Sheet

PEWAN112-10



WR-112 Waveguide Antenna, 7.05 GHz to 10 GHz Frequency Range, 10 dBi Gain, from Pasternack Enterprises has same day shipment for domestic and International orders. Our RF, microwave and millimeter wave products maintain a 99.4% availability and are part of the broadest selection in the industry.

Click the following link (or enter part number in "SEARCH" on website) to obtain additional part information including price, inventory and certifications: [WR-112 Waveguide Antenna, 7.05 GHz to 10 GHz Frequency Range, 10 dBi Gain, PEWAN112-10](https://www.pasternack.com/wr-112-waveguide-gain-horn-antenna-10db-square-flange-pewan112-10-p.aspx)

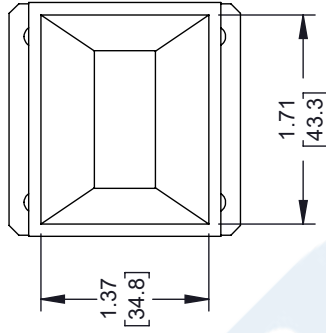
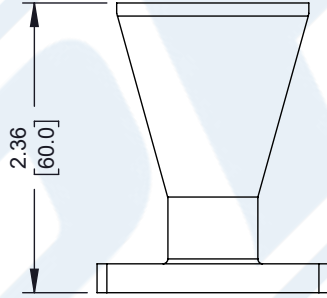
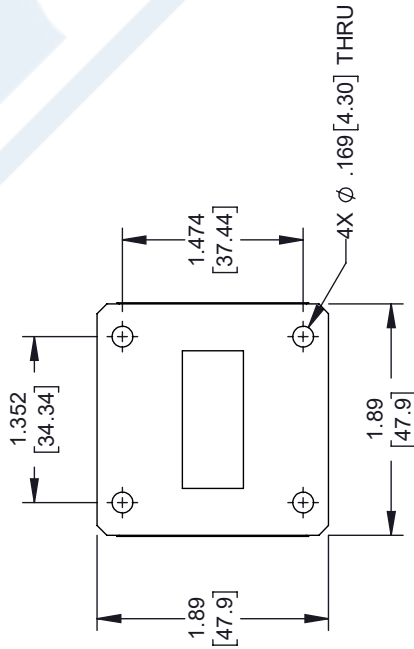
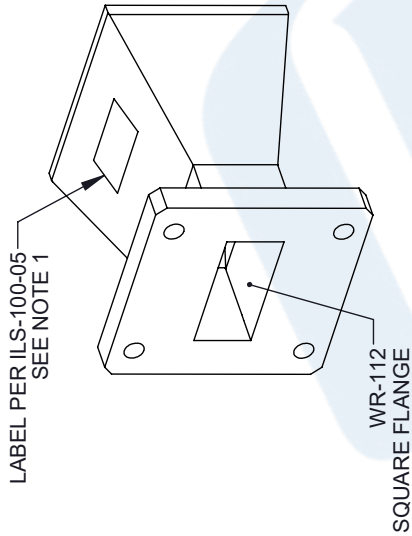
URL: <https://www.pasternack.com/wr-112-waveguide-gain-horn-antenna-10db-square-flange-pewan112-10-p.aspx>

The information contained in this document is accurate to the best of our knowledge and representative of the part described herein. It may be necessary to make modifications to the part and/or the documentation of the part, in order to implement improvements. Pasternack reserves the right to make such changes as required. Unless otherwise stated, all specifications are nominal. Pasternack does not make any representation or warranty regarding the suitability of the part described herein for any particular purpose, and Pasternack does not assume any liability arising out of the use of any part or documentation.

# PEWAN112-10 CAD Drawing

WR-112 Waveguide Antenna, 7.05 GHz to 10 GHz Frequency Range, 10 dBi Gain,

| REVISIONS |                 |            |          |
|-----------|-----------------|------------|----------|
| REV.      | DESCRIPTION     | DATE       | APPROVED |
| A         | INITIAL RELEASE | 06/08/2021 | KHIETPAS |



UNLESS OTHERWISE SPECIFIED LEADING DIMENSIONS ARE INCHES DIMENSIONS IN [ ] ARE MILLIMETERS

TOLERANCES:  
 .X = ±.2 [5.08]    FRACTIONS ± 1/32  
 .XX = ±.02 [ .51]    ANGLES ± 1°  
 .XXX = ±.005 [ .13]    CABLE LENGTH (L) TOLERANCES:  
 L ≤ 12 [305] = +1 [25] / -0  
 12 [305] < L ≤ 60 [1524] = +2 [51] / -0  
 60 [1524] < L ≤ 120 [3048] = +4 [102] / -0  
 120 [3048] < L ≤ 300 [7620] = +6 [152] / -0  
 300 [7620] < L = +5% / -0

ALL DIMENSIONS SHOWN ARE FOR REFERENCE ONLY.

**PEJ PASTERNAK**  
 an INFINITI brand

Pasternack Enterprises, Inc.  
 P. O. Box 16759, Irvine, CA 92623.  
 Phone: 1.949.261.1920 | 1.866.727.8376  
 Fax: 1.949.261.7451  
 Website: www.pasternack.com  
 E-mail: sales@pasternack.com

ITEM NO. PEWAN112-10  
 DRAWN BY DZINN  
 CAGE CODE 53919

THIRD-ANGLE PROJECTION

THE INFORMATION AND DESIGN IN THIS DOCUMENT IS THE PROPERTY OF PASTERNAK CORPORATION ALL RIGHTS RESERVED.

SHEET 1 OF 1  
 SCALE N/A

REV A

NOTES:  
 1. LABEL PER ILS-100-05 (FOR INTERNAL REFERENCE ONLY)  
 LABEL LOCATION FOR REFERENCE ONLY

THESE COMMODITIES, TECHNOLOGY OR SOFTWARE WERE EXPORTED FROM THE UNITED STATES IN ACCORDANCE WITH THE EXPORT ADMINISTRATION REGULATIONS. DIVERSION CONTRARY TO U.S. LAW PROHIBITED.