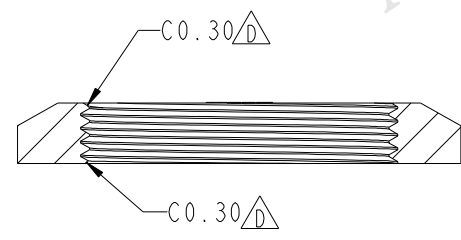
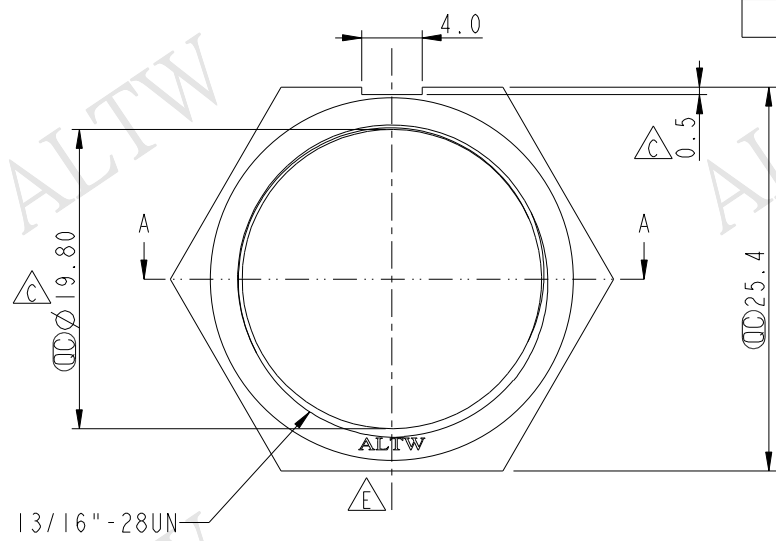
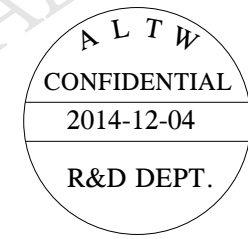
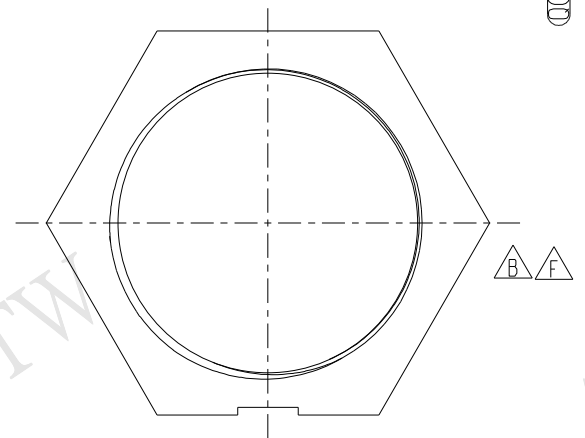
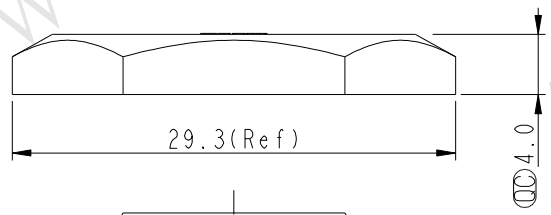


REV.	ECN NO.	DATE	SIGN	DESCRIPTION
D	LEN-960121	2009/06/10	Vicky	Add Chamfer
E	LEN1490140	2014/08/29	Sam	Change Logo
F	LEN14C0302	2014/12/04	Lu Di	Remove white Point



Section A-A



Note:  
 \*  $\varnothing$  Important Dimension.  
 \* Material: Nylon+25%GF, UL 94V-0, Dupont FR50.  
 \* Color: Black.  
 \* Mold No.: LTW-TM138.

UNIT: mm		
TOLERANCE	.X ±0.25	
	.XX ±0.1	
	.XXX ±0.05	
ANGLES	±1°	

TITLE Nut Panel For 9-14 Pin Connector			
SCALE 2:1	SIZE A4	SHEET 1 OF 1	
REV. F	WC-REV. A.8	$\varnothing$ : Inspection item	

**Amphenol LTW**  
 安費諾亮泰企業股份有限公司

ITEM NO. $\Delta$ ANA138XXX01	DRAWN BY Lu Di	DATE 2014/12/04
DWG NO. $\Delta$ ANA138XXX01	CHECKED BY Joyy	DATE 2014/12/04
CUSTOMER ALTW	APPROVED BY Jerry	DATE 2014/12/04

THIS DOCUMENT IS SUBJECT TO CHANGE WITHOUT NOTICE. IT IS CONFIDENTIAL AND A PROPERTY OF Amphenol LTW. DISCLOSURE TO THIRD PARTY HAS TO BE AUTHORIZED BY Amphenol LTW.