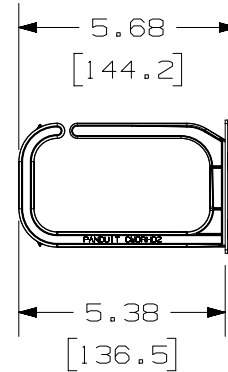
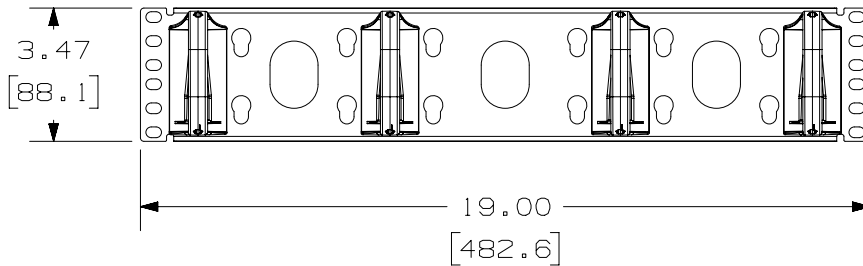
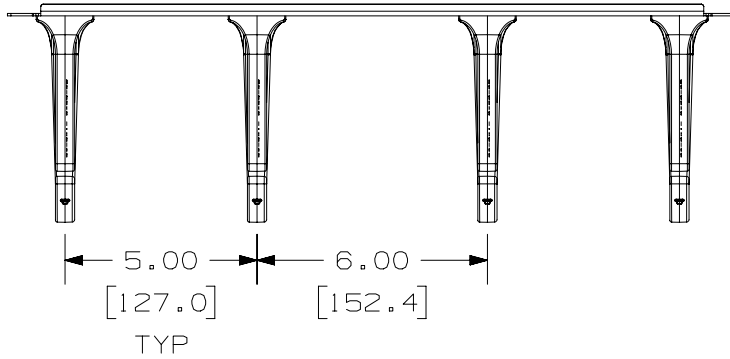


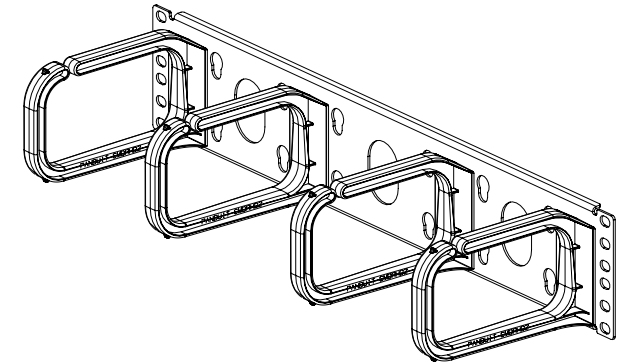
THIS COPY IS PROVIDED ON A RESTRICTED BASIS AND IS NOT TO BE USED IN ANY WAY DETRIMENTAL TO THE INTERESTS OF PANDUIT CORP.

PANDUIT P/N	WEIGHT
CMPHH2	1.55 LB/EACH PC .7 kg/EACH PC



NOTES:

- SEE CATALOG FOR COMPLETE LIST OF PARTS APPLICABLE FOR USE WITH THIS PART.
- DIMENSIONS IN PARENTHESES ARE IN METRIC.
- PARTS INCLUDED:  
4- D-RINGS  
1- METAL STAMPING  
4- 12-24 SCREWS
- FOR OPTIONAL SNAP ON COVER USE PART NUMBER CMPH2C.



REV	DATE	BY	CHK	APR	DESCRIPTION	ECN
02A	3-26-15	TWV	MACA	KRKE	BOM ADJUSTMENT; REVISED NOTES.	00072-17
01D	4-1-13	BAME	FGR	CMK	REVISED AND REDRAWN; ALL PREVIOUS REVS OMITTED UPDATED TITLE BLOCK	00072-17

TITLE <b>OPEN CABLE MANAGEMENT PANEL HORIZONTAL HIGH DENSITY (CMPHH2)</b> CUSTOMER DRAWING					
ITEM REVISION NAME M00072AD/04					
DATASET FILE NAME M00072AD_DC/04A					
UNLESS OTHERWISE SPECIFIED, DIMENSIONAL TOLERANCES ARE: IN ( mm )					
DRAWN BY JSP			DATE 7-16-98		
CHK FJD		SCALE NONE		DRAWING NUMBER: 00072-17	
SHT 1 OF 1				SIZE A	

D101000DA/15